

Could all be moved right and RP resistors drawn in.

Values of resistors in RPS?  
 You have a lot of room here... why empty everything up?  
 No R pin numbers

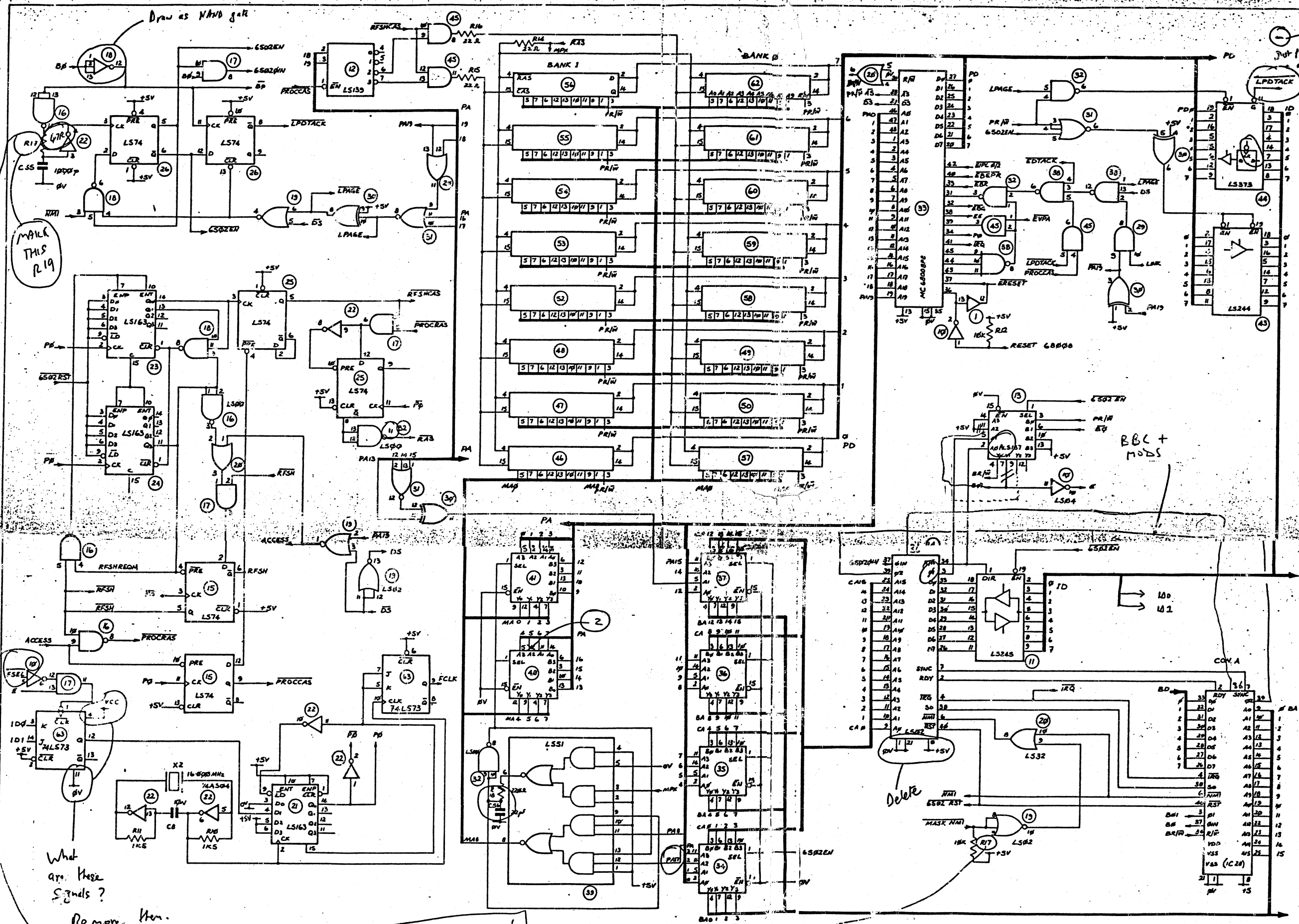
Where are all the unused gates?

No RP pin numbers.

\* RESISTOR PACK TO +5V  
 RESISTOR PACK TO 0V

MARKED UP PRINT

This drawing is the property of & Copyright of VIVAWAY LTD. 36-38 JOHN ST., LUTON, BEDS., ENGLAND. LU1 2JE Phone 0582 423425	Change Date	Sheet 2 of 2	ISS. 1.
	TITLE	BBC 6808 UPGENE	



IC No	TYPE	+5	OV	pin
1	7407	14	7	14
2	74LS245	20	15	20
3,4	MC68021P	20	1	20
5	74LS139	12	24	12
6	74LS139	8	16	8
7	7407	14	7	14
8	7416	14	7	14
9	74LS279	21	29	21
10	74LS245	14	7	14
11	74LS245	20	15	20
12	74LS139	16	8	16
13	74LS139	16	8	16
14	6502	8	1, 2	40
15	74LS174	14	7	14
16	74LS174	14	7	14
17	74LS174	14	7	14
18	74LS174	14	7	14
19	74LS174	14	7	14
20	74LS174	14	7	14
21	74LS163	16	8	16
22	74LS163	16	8	16
23	74LS163	16	8	16
24	74LS163	16	8	16
25	74LS174	14	7	14
26	74LS174	14	7	14
27	74LS174	14	7	14
28	74LS174	14	7	14
29	74LS174	14	7	14
30	74LS174	14	7	14
31	74LS174	14	7	14
32	74LS174	14	7	14
33	MC68000P	13	15, 21	40
34-37	74LS157	16	8	16
38	74LS157	16	8	16
39	74LS157	16	8	16
40-41	74LS157	16	8	16
42	74LS245	20	15	20
43	74LS244	20	15	20
44	74LS373	29	10	29
45	74LS163	16	8	16
46-50	74LS157	16	8	16
51	74LS139	16	8	16
52-62	74LS157	16	8	16
63	74LS173	4	11	16

MARK THIS R19

Draw as NAND gate

What are these signals?  
Remove them.

There are two R17's  
ON THE CIRCUIT DIAGRAM  
AND THE SILL SCHEMATIC

MARKED WITH P1000

This drawing is the property of & Copyright of VIVAWAY LTD. 36-38 JOHN ST., LUTON, BEDS., ENGLAND. LU1 2JE Phone 0582 423425

Change Date Sheet 1 of 2  
TITLE BBC 6808 UPGRADE  
DRG. No.

ISS. 1