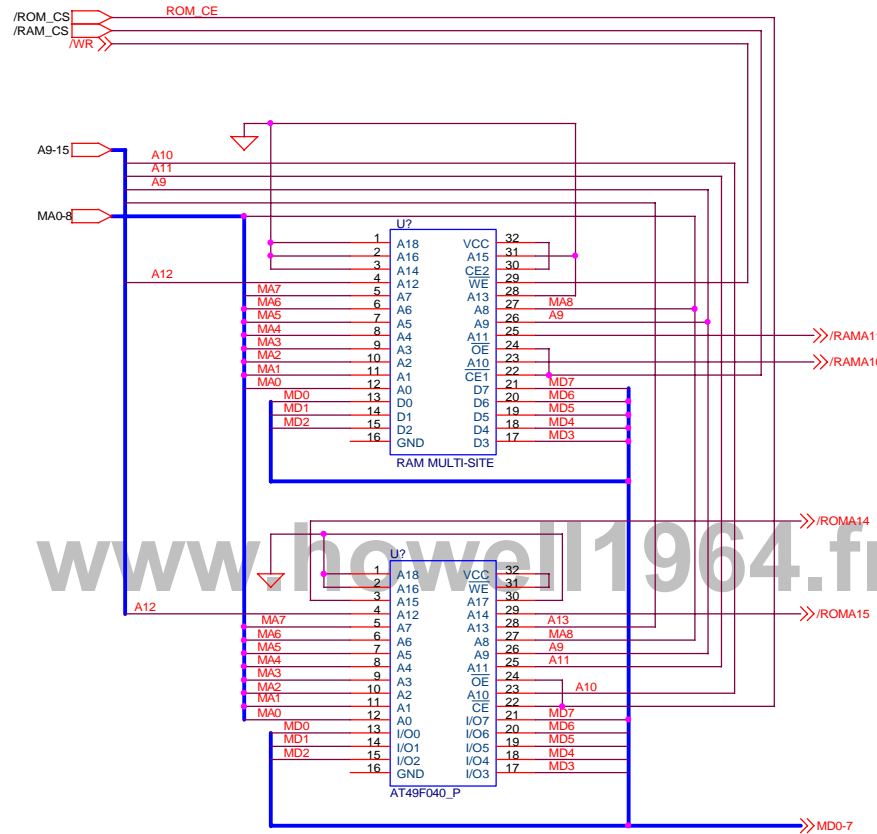


DRAFT! www.howell1964.freemove.co.uk

Title		
ZX81 in PLD Circuit Diagram: CPU & GLU		
Size	Document Number	Rev
A3	K8082	1.1
19640625	Date: Thursday, March 25, 2004	Sheet 1 of 4

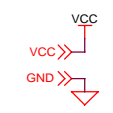
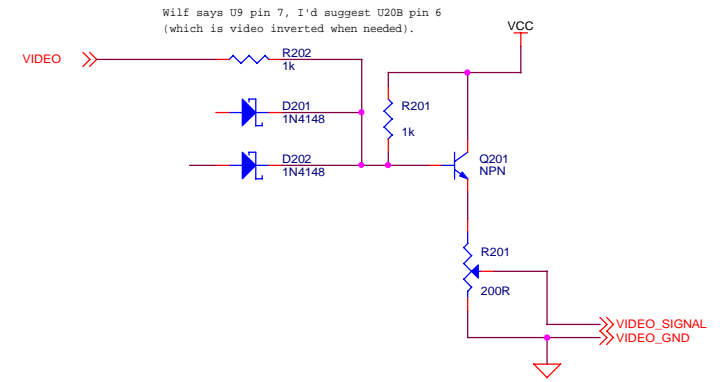
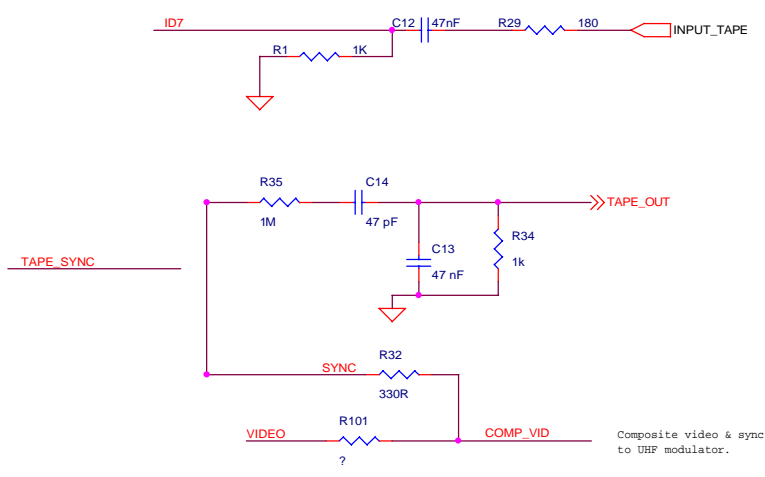
I've used a 6116 chip here because it uses less power and socket pins than a 4118 or two 2114s. And it is less obsolete!



I've made this a site for a bigger ROM than the original 2364, because small ROM chips are getting hard to find!

DRAFT! www.howell1964.freemove.co.uk

Title			ZX80/81 in PLD ROM & RAM		
Size	Document Number				Rev
A3	K8082				1.1
Date:	Thursday, March 25, 2004		Sheet	2	of 4

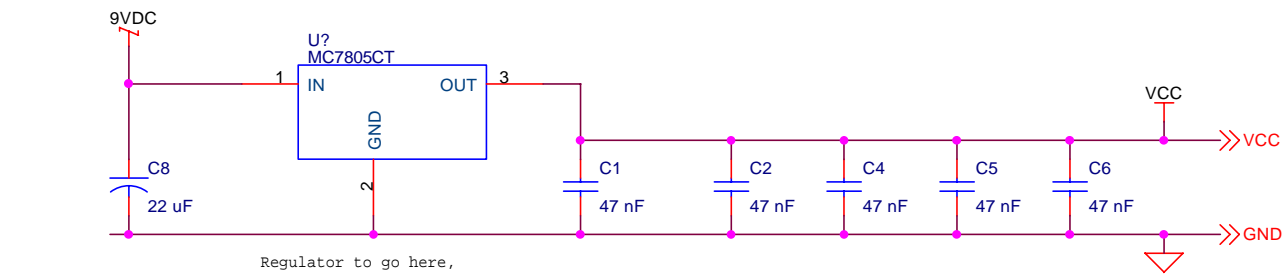
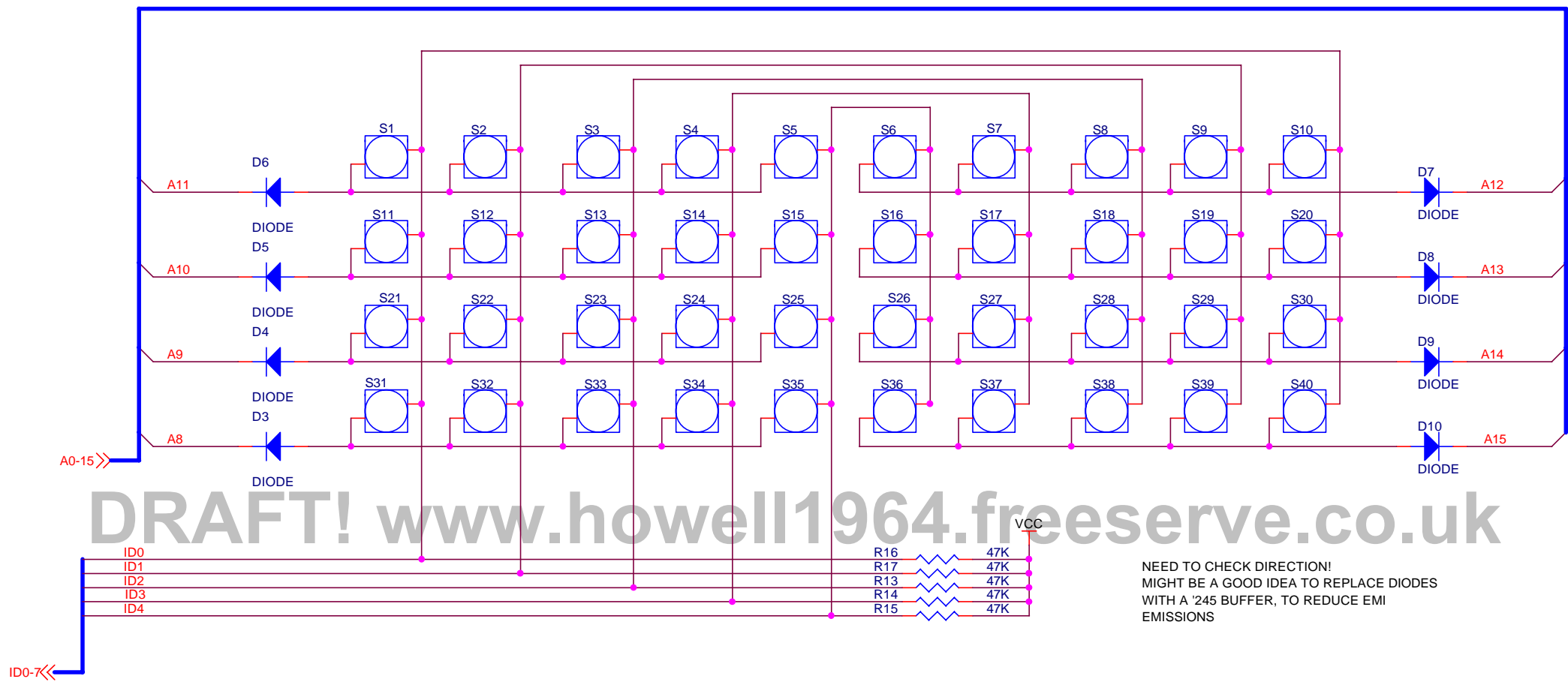


R102 added for peace of mind!
I don't like floating inputs, especially if using CMOS 280.

DRAFT! www.howell1964.freemove.co.uk

Title		ZX video	
Size	A3	Document Number	K8082
Date:	Thursday, March 25, 2004	Sheet	3 of 4
Rev	11		

19640625



Title		
ZX80/ZX81 KEYBOARD & PSU		
Size A4	Document Number K8082	Rev 1.1
Date:	Thursday, March 25, 2004	Sheet 4 of 4

A

B

C

D

E

4

4

3

3

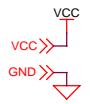
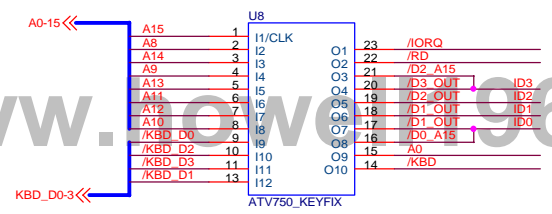
2

2

1

1

DRAFT! www.ovon1964.freemove.co.uk



THIS IS A DRAFT COPY ONLY!!!
NOT FULLY CHECKED!

Circuit designed by Ian Bradbury.

Title		
ZX Keyboard fix		
Size	Document Number	Rev
A3	K&082	1.1
Date:	Thursday, March 25, 2004	Sheet 5 of 5

19640625

A

B

C

D

E