

ACORN COMPUTERS LTD.

ACW 443

SERVICE MANUAL

0420,001

Issue 1

January 1987



ACW SERVICE MANUAL

Title: ACW SERVICE MANUAL
Reference: 0420,001
Issue: 1
Replaces: 0.56
Applicability: Product Support
Distribution: Authorised Service Agents
Status: for publication
Author: C.Watters, J.Wilkins and Others
Date: 7 January 1987

Published by: Acorn Computers Ltd, Fulbourn Road, Cherry Hinton, Cambridge, CB1 4JN, England

Within this publication the term 'BBC' is used as an abbreviation for 'British Broadcasting Corporation'.

Copyright ACORN Computers Limited 1985

Neither the whole or any part of the information contained in, or the product described in, this manual may be adapted or reproduced in any material form except with the prior written approval of ACORN Computers Limited (ACORN Computers).

The product described in this manual and products for use with it, are subject to continuous development and improvement. All information of a technical nature and particulars of the product and its use (including the information and particulars in this manual) are given by ACORN Computers in good faith. However, it is acknowledged that there may be errors or omissions in this manual. A list of details of any amendments or revisions to this manual can be obtained upon request from ACORN Computers Technical Enquiries. ACORN Computers welcome comments and suggestions relating to the product and this manual.

All correspondence should be addressed to:-

Technical Enquiries
ACORN Computers Limited
Newmarket Road
Cambridge
CB5 8PD

All maintenance and service on the product must be carried out by ACORN Computers' authorised service agents. ACORN Computers can accept no liability whatsoever for any loss or damage caused by service or maintenance by unauthorised personnel. This manual is intended only to assist the reader in the use of this product, and therefore ACORN Computers shall not be liable for any loss or damage whatsoever arising from the use of any information or particulars in, or any error or omission in, this manual, or any incorrect use of the product.

This manual is for the sole use of ACORN Computers' authorised service agents and must only be used by them in connection with the product described within.

Third Party Copyright Notice

Some sections of this manual are copyright of MICROVITEC PLC and are subject to the following copyright notice:

COPYRIGHT

© 1986 MICROVITEC PLC

The copyright in this work is vested in MICROVITEC PLC and this document is issued for the purpose only for which it is supplied. No licence is implied for the use of any patent literature. It must not be reproduced in whole or in part, or used for tendering or manufacturing purposes except under an agreement or with the consent in writing of MICROVITEC PLC and then only on the condition that this notice is included in any such reproduction: Information furnished is believed to be accurate but no liability in respect of any use of it is accepted by MICROVITEC PLC.

WARNING
THE COMPUTER MUST BE EARTHED

IMPORTANT

The wires in the mains lead for the apparatus are coloured in accordance with the following code:

Green & Yellow Earth	
Blue	Neutral
Brown	Live

The moulded plug must be used with the fuse and fuse carrier firmly in place.

The fuse carrier is of the same basic colour (though not necessarily the same shade of that colour) as the coloured insert in the base of the plug. Different manufacturers' plugs and fuse carriers are not interchangeable. In the event of loss of the fuse carrier, the moulded plug **MUST NOT** be used. Either replace the moulded plug with another conventional plug wired as detailed below, or obtain a replacement fuse carrier from an authorised ACORN dealer. In the event of the fuse blowing it should be replaced, after clearing any faults, with a 5 amp fuse that is ASTA approved to BS1362.

If the socket outlet available is not suitable for the plug supplied, the plug should be cut off and the appropriate plug fitted and wired as previously noted. The moulded plug which was cut off must be disposed of as it would be a potential shock hazard if it were to be plugged in with the cut off end of the mains cord exposed.

As the colours of the wires may not correspond with the coloured markings identifying the terminals in your plug, proceed as follows:

The wire which is coloured green and yellow must be connected to the terminal in the plug which is marked by the letter E, or by the safety earth symbol ,or coloured either green or green and yellow.

The wire which is coloured blue must be connected to the terminal which is marked with the letter N, or coloured black.

The wire which is coloured brown must be connected to the terminal which is marked with the letter L, or coloured red.

Protecting the Winchester Disc

Winchester disc drives are fragile to avoid damage or data loss, do not move or knock the Acorn Cambridge Workstation (ACW) while it is running. The ACW must always be moved gently, and not tilted rapidly, or turned on its side.

After using the ACW, the heads should be moved to the parking zone **BEFORE** switching off the mains power. The exact command that needs to be used to park the heads will depend on which program is in control. For instance:

(1) From PANOS (-> or user defined prompt):

-> Logoff ADFS: (RTN)

-> .Quit (RTN)

Turn off Power.

(2) From PANDORA (* prompt)

*ADFS (RTN)

*BYE (RTN)

Turn off Power.

(3) From BASIC (> prompt)

> *ADFS (RTN)

> *BYE (RTN)

Turn off Power

(4) From UNKNOWN or IF IN DOUBT

(CTRL) and (BREAK) together will return to a prompt, then follow one of the above depending on which prompt it is.

If anything is typed after parking the Winchester heads, in particular (BREAK) or *ADFS there will be a pause while the Winchester mechanism winds back in the heads.

Transportation

Before switching off prior to transporting the ACW the Winchester disc head mechanism must be "Parked" as described above in the section "Protecting the Winchester Disc".

If you need to transport the ACW, pack the original protective expanded polystyrene around the sides of the machine, keeping the ACW in the upright position. Lower the combined package carefully into the cardboard box in which the machine was supplied, again, making sure that the ACW remains upright.

The Service Card supplied with each unit and specific to that unit should always travel with it. User

Registration

User Registration Card is supplied with the hardware. It is in your interest to complete and return the card. Please notify Acorn Computers Limited if this card is missing.

1. Introduction

1.1 Function of this manual

This manual is intended to provide the information required to diagnose and repair faults on the Acorn Cambridge Workstation (ACW) series microcomputers. It gives the complete overview of the ACW system for Acorn dealers and service engineers. It is assumed that the reader is familiar with the ACW operating system and has access to the user-guide documentation and utility software including the supplied users' test routines.

1.2 Conventions observed in this guide

The following conventions are observed:

- (1) (BREAK) (RETURN) (ESCAPE) (SHIFT) and (CTRL) signify the corresponding keyboard keys rather than the actual words. It is assumed that command lines are terminated by (RETURN). Refer to the keyboard diagram for actual symbols used on these keys.
- (2) In examples where commands have to be typed in response to a prompt (e.g. the Panos prompt '->'), both the command and the prompt are shown; for example:

```
-> cat -help
```

- (3) References to left and right hand apply when the unit is viewed from the FRONT unless otherwise stated.

Abrieviations

The following abrieviations are used in this manual:

N = Active low signal (eg. NCAS)
LSB = A0,D0 etc.
MSB = A23,D15 etc.
Word = two bytes = 16 bits
Double Word = four bytes = 32 bits
Quad = eight bytes = 64 bits
NYA = Not yet available
RSVD = Reserved for future (Acorn) use
HHHHHH = Hex = Hexadecimal notation
BBBBBB = Bin = Binary notation

1.2.1 ACW documentation

The ACW 443 comes complete with the following documentation:

- ACW welcome guide
- Terminal emulator user guide
- BBC BASIC IV reference manual
- ACW function keycard booklet
- Panos documentation pack (A seperate package)

Documentation titles, together with their Acorn part numbers, are shown in the appendix.

1.3 Hardware overview

1.3.1 ACW 443

The ACW uses the National Semiconductor 32000 chip set, including the NS32016 Central Processing Unit (CPU), the NS32081 Floating Point Unit (FPU) and the 32201 timing and control unit (TCU). These have a 32-bit internal architecture and use a 16-bit external data bus. The Workstation also contains a 6512 processor (an enhanced version of the 6502 processor), which acts as an input/output (I/O) processor and can also be used independently. In this case the Workstation acts as a BBC model B+ microcomputer with 64 Kbytes of memory.

The ACW is supplied with the PANOS operating system kernel (PANDORA) installed on the 32016 card. This provides PANOS with an access mechanism to the various BBC filing systems in the I/O processor.

4M bytes of internal RAM memory are provided as standard on the 32016 processor card, and a 700Kbyte 80-track floppy disc and a 20Mbyte hard disc storage is fitted on the model 443. Keyboard activity, the screen output, disc interface, network interface and other general I/O tasks are all handled by the 6512A processor, which has its own 64Kbytes of local RAM.

An integral 12" medium-resolution colour monitor and a stand-alone keyboard complete the standard specification. A mouse controller, which fits inside the main case, is available as dealer installed optional upgrade.

1.3.2 Main unit

The upper case, including the plastic screen surround moulding, or *bezel*, is removable. The chassis is of modular construction and opens to reveal a number of surfaces which can be easily serviced (See the section on disassembly for instructions) Field servicing should be on a module replacement basis, though socketed ICs may be changed whenever their breakdown is detected. The disc drives (floppy and Winchester) and the power supply module should always be replaced as a complete unit in the field. Note that the replacement of the monitor tube represents an implosion hazard and should not be undertaken in the field.

1.3.3 Power supply

+5V output voltage 4.9 to 5.2V +12V

output voltage 11.4 to 12.6V

1.3.4 Environmental

Minimum operating temperature 0 degrees C Maximum

operating temperature +37 degrees C Minimum storage

temperature -30 degrees C Maximum storage temperature

+60 degrees C Maximum operating humidity 80% RH at 35

degrees C Maximum storage humidity 80% RH at 55

degrees C Operating altitude 0 to 1800 metres above sea

level Storage altitude 0 to 3500 metres above sea level

Thermal gradient 10 degrees C per hour

1.3.5 The keyboard

The keyboards of the ACW and the BBC Microcomputer Master are similar, differing only in layout. The features of the keyboards are outlined in the Cambridge Workstation Welcome Guide Part No. 0420,000.

1.3.6 Auto-Repetition

Most keys auto-repeat; the exceptions are (ESCAPE), (CTRL), (SHIFT), (CAPS LOCK), (SHIFT LOCK) and the function keys. The auto-repeat rate and the delay before auto-repetition can be set by the Panos *Configure* utility.

1.3.7 Caps Lock

The state of (CAPS LOCK) on entering Panos can be set by the *configure* utility.

1.3.8 The BREAK Button or Key

This will force a return to the Pandora operating system kernel. The (BREAK) button is useful if a program gets stuck in a loop that cannot be left by pressing the (ESCAPE) key.

Pressing the (BREAK) button alone gives a 'soft reset' which neither clears the definitions of the user-defined keys, nor resets the system clock. Pressing (CTRL) (BREAK) gives a 'hard reset' which clears these.

1.4 Function Keys

By default these have no effect, but the function keys may be programmed to produce either a string of characters, or a single code. For some functions, the (BREAK) key, the (COPY) key and the cursor movement keys can be considered 'soft' keys. In this case, these keys may be treated as function keys numbered from 10 to 15, as follows:

BREAK	f10
COPY	f 11
f12	
-->	f13
	f14
	f15

1.5 ACW Keypad

The ACW's separate numeric keypad forms part of the keyboard. Normally these keys return the same codes as the equivalent keys on the main keyboard. However, it is possible to map the codes onto different values. See the *110 Processor User Guide*.

1.5.1 The TUBE Switch

The two ACW processors (32016 and 6512) communicate across the Acorn TUBE. For normal operation, the TUBE rocker switch on the back of the keyboard unit is set to dual processor mode. The TUBE indicator light comes on when the ACW is powered up, confirming that both the 32016 and 6512 processors are operating. If the TUBE switch is moved to single processor mode, only the 6512 processor will operate.

1.6 Software overview

Chapter 1

1.6.1 Single processor mode

In this mode, the I/O processor operates independently of the 32016 processor, and all the facilities described in the *BBC B+ Microcomputer System User Guide* or *I/O Processor Guide* are available.

Examples

```
>*FREE  
>*CAT  
>RUN
```

A list of * commands is given in the appendix.

1.6.2 Dual Processor Mode

With the TUBE switched on the 32016 processor is active and PANDORA running.

Pandora Commands

The * commands described in the BBC Microcomputer user guides are handed to the I/O processor by PANDORA for execution by the I/O processor.

Examples

```
*FREE  
*CAT  
*DIR :0  
*PANOS
```

32000 BASIC

32000 BASIC is BASIC version IV which is based on an earlier version, BASIC I, the language supplied with BBC Microcomputers. Unlike most of the systems software provided with the equipment, 32000 BASIC runs directly from Pandora, the firmware kernel, instead of from Panos, the disc-based operating system for the Cambridge Series computers.

32000 BASIC contains several improvements on BASIC I: a built-in screen editor and faster execution (especially in real arithmetic), new statements are provided, and much greater memory is available. For some users, the most significant difference between the two versions of BASIC will be the fact that 6502 assembly language cannot be incorporated into 32000 BASIC programs. However, object files prepared with the 32000 Assembler may be loaded and called by BBC BASIC programs, and useful MOS routines may still be accessed with the CALL statement. The enhancements and differences between the implementations are detailed in the *BBC BASIC Reference Manual* supplied.

Examples

```
>*FREE  
>*CAT  
>RUN
```

1.6.3 Panos

Various Panos utilities are available for handling filing systems and other functions. In addition, the *star* utility can be used to transmit commands to the I/O processor's MOS.

For details of how to use PANOS and the utilities that run under PANOS refer to *Panos Guide to Operations* Acorn part number 0410,001.

1.6.4 Programs Running under Panos

All the languages have built-in features for handling the keyboard, display and files; sometimes as part of a library. Additionally, a library of operating system procedures (similar to system calls) is accessible from most languages. These are described in the *Panos Programmer's Reference Manual*. They include facilities for input, output and file handling, setting and reading the internal clock and handling asynchronous events (interrupts). In addition, functions are available which simulate the BBC *OSByte*, *OSWord* and *OSFile* functions.

Examples

```
-> copy files -to fileb
-> edit filec, filed, filee
-> show time
-> logon Matters
-> cat nfs:
-> star free
-> star fx 238,128
```

1.7 Filing systems

The following systems are available to the I/O processor:

- DFS: This uses floppy discs with single density format. A major purpose of the DFS *is* to maintain compatibility with earlier systems. Distribution software for the ACW and Co-Processor is supplied in this format (except for the ADFS utilities disc, which is supplied in ADFS format).
- ADFS: The Advanced Disc Filing System. For use with Winchester and floppy discs formatted using Modified Frequency Modulation (MFM) format which provides double density storage.
- NFS: The Network Filing System. This enables a number of stations to share a filing system operated by a special station (the 'file server'), using the Econet network.

ADFS, NFS and DFS are supported by Panos. The following additional filing systems are also available, but normally only via *star* commands:

- *IEEE The IEEE488 filing system
- TAPE or The 1200 Baud cassette filing system
- *TAPE12
- *TAPE3 The 300 Baud cassette filing system
- *TELESOFT The Teletext filing system
- *ROM The sideways ROM cartridge system

The various filing systems are described in more detail in the *I/O Processor Guide* Acorn part number 0410,004.

A list of I/O processor ROMs installed in a particular ACW may be obtained by typing *ROMS RTN

For each of the filing systems, 'help' information – in the form of a command list with syntax – may be elicited by using the filing system name, as in the following examples:

Chapter 1

- * HELP
- * HELP DFS
- * HELP DNFS
- * HELP ADFS
- * HELP DDFS

2. Assembly, Packaging and Installation

2.1 Packaging

ACW models are packaged in a single cardboard box within moulded polystyrene foam and air bubble cushioning. It is recommended that the packing materials be retained if there is any likelihood of the ACW computer being transported by third-party carriers.

The box contains the following:

- User registration card, guarantee card, service information card, instruction sheet, Panos welcome disc and ACW user guide, packed in a polythene bag.
- ADFS utilities disc, terminal manual and BBC BASIC IV reference manual, packed in a polythene bag.
- Function keycard booklet.
- Processor/VDU unit., with integral mains lead and plug.
- The keyboard unit, with integral coiled lead fitted with a 'D-type' keyboard connector.

Shipping

IMPORTANT

Before switching off prior to transporting the ACW the Winchester disc head mechanism must be "Parked" as described in section 6.3 and the preface "Protecting the Winchester Disc".

Prior to repacking, the floppy disc drive should be protected by refitting the cardboard insert if it is available.

Precautions for shipping involve the repacking of the main unit and the keyboard in the specially moulded polystyrene side pieces. In the absence of the original packing materials, the ACW should be securely packed in a rigid polystyrene harness with polystyrene chips or air bubble cushion sheeting used to protect sensitive areas such as the monitor screen and the keyboard keys. The package should be handled gently as befits equipment containing a VDU and a Winchester drive.

2.2 Installation

At installation or after a bench service the ACW should be sited in accordance with the following notes:

- A strong and rigid worksurface should be provided with adequate room to tilt and swivel the ACW on its base.
- The worksurface should not be covered with any loose cloth or mat which might impare the efficiency of the air intake within the swivel base.
- The working environment should be clean, away from direct sunlight or direct heat sources.
- Adequate space must be left surrounding the machine for a free flow of air and a minimum of 150mm (six inches) of free space above the machine is advised. Ventilation slots should not be covered.
- The power outlet used for the ACW should not be shared by equipment containing electric motors or thermostatically-controlled circuits since these tend to generate electrical noise.
- Sources of strong magnetic fields (such as powerful loudspeakers) should be kept clear of the floppy drive and the floppy disc storage area.

- Local printers and other peripherals should be sited within easy reach of the ACW where they can be connected by means of interconnecting cables.

2.2.1 Rear panel connectors

A range of peripherals may be connected to the rear of the ACW. A diagram of the rear panel connectors and their individual pin designation is shown in appendix E. The connectors are:

- (1) Composite Video output to an external monochrome or PAL colour monitor, via a BNC connector.
- (2) RGB output to a suitable external colour monitor. 270 degree 6-pin DIN socket.
- (3) RS423 standard serial interface. 5-pin domino DIN socket. The baud rate is software selectable between 75 and 9600 baud.
- (4) Cassette recorder interface. 270 degree DIN socket. Standard CUTS tones are used at 300 or 1200 baud.
- (5) Analogue interface providing four 8-bit ADC input channels capable of reading analogue voltages in the range 0 to 2.5V. The conversion time is 10mS. A 1.8V reference voltage is also available on the pins of the 15-way D-type female connector.
- (6) ECONET network connector. 180 degree 5-pin DIN socket.
- (7) Keyboard socket. 25-pin D-type female connector.
- (8) Printer 8-bit parallel port (Centronics standard). 24-way DELTA IDC connector.
- (9) 1MHz BUS 37-way D-type female connector.
- (10) Mouse interface socket (optional) 9 Way D-type.

WARNING

It is possible to plug the ECONET system into the CASSETTE socket. This will not harm either the ECONET or the ACW but the entire ECONET system will be rendered inoperative until the error is rectified.

2.3 Disassembly and re-assembly

2.3.1 Safety considerations

WARNING — HIGH VOLTAGE HAZARD

The ACW's video monitor generates potentially dangerous high voltages. These voltages can remain within the monitor circuits for several hours after the mains supply has been disconnected.

OBSERVE FULL SAFETY PRECAUTIONS WHENEVER THE UPPER PLASTIC CASE OF THE ACW HAS BEEN REMOVED. DISCONNECT THE ACW AND ALL PERIPHERAL EQUIPMENT FROM THE MAINS SUPPLY. UNDER NO CIRCUMSTANCES SHOULD AN UNCASSED MACHINE BE LEFT UNATTENDED IN THE PRESENCE OF UNQUALIFIED PERSONNEL.

When working on the ACW it is important to ensure that the surrounding surfaces are dry and isolated from earth. Avoid contact with any metal objects which may be earthed, such as piping or heating equipment.

2.3.2 Access to components

The upper case assembly is plastic and is held in place by two lugs at the front of the machine (which cannot be seen when the case is in place) and two plastic case clips at the rear. Each rear clip is covered by a metal safety clips.

Removing the Top Case : Refer to Figure 2.3.2 (a) & (b).

- (1) Remove any floppy disc from the machine and move the floppy disc lever to the horizontal position.
- (2) Unscrew the two Phillips headed screws holding the rear metal safety clips, remove and store the clips and screws.
- (3) Unhook the two plastic case clips by pulling the bottom of the clips away from the case and unhook the top of the clips from the case top.

DO NOT ATTEMPT TO SEPARATE THE BEZEL FROM THE UPPER CASE: IT IS FIXED

- (4) Pull the bottom edge of the black front plastic bezel away from the lower edge of the disc drives so that it sits on the front face of the disc drives just below the floppy disc lever.
- (5) Separate the case at the rear and gently raise the upper case vertically sliding the bezel front gently over the floppy disc lever.
- (6) The rear fan should now be adjacent to the internal rear upper bracket so that by gentle movement the fan will slide past the rear cross member. The fan can be viewed through the front VDU aperture.
- (7) **DISCONNECT THE FAN POWER LEAD AT THE REAR BY SQUEEZING THE MATING PLUG CLIP.**
- (8) Keep the upper case level and remove it from the machine.

On each side tray there are two quarter-turn captive screws which hold the side trays to the main chassis. Towards the rear of the metal chassis are two more that hold down the main chassis which is pivoted at the front. See Figure 2.3.2 (c).

Figure 2.3.2 (a) 2.3.2 (b)

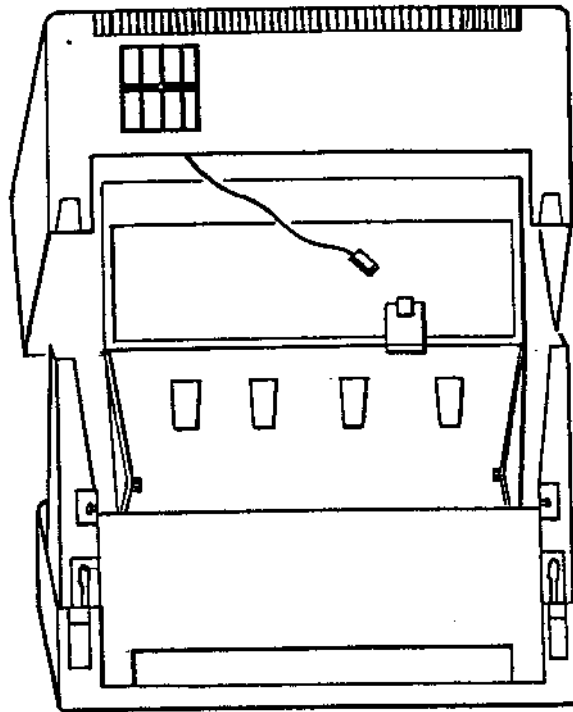
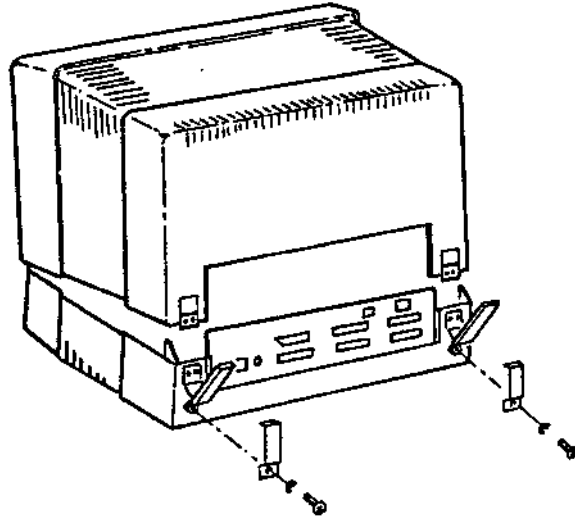
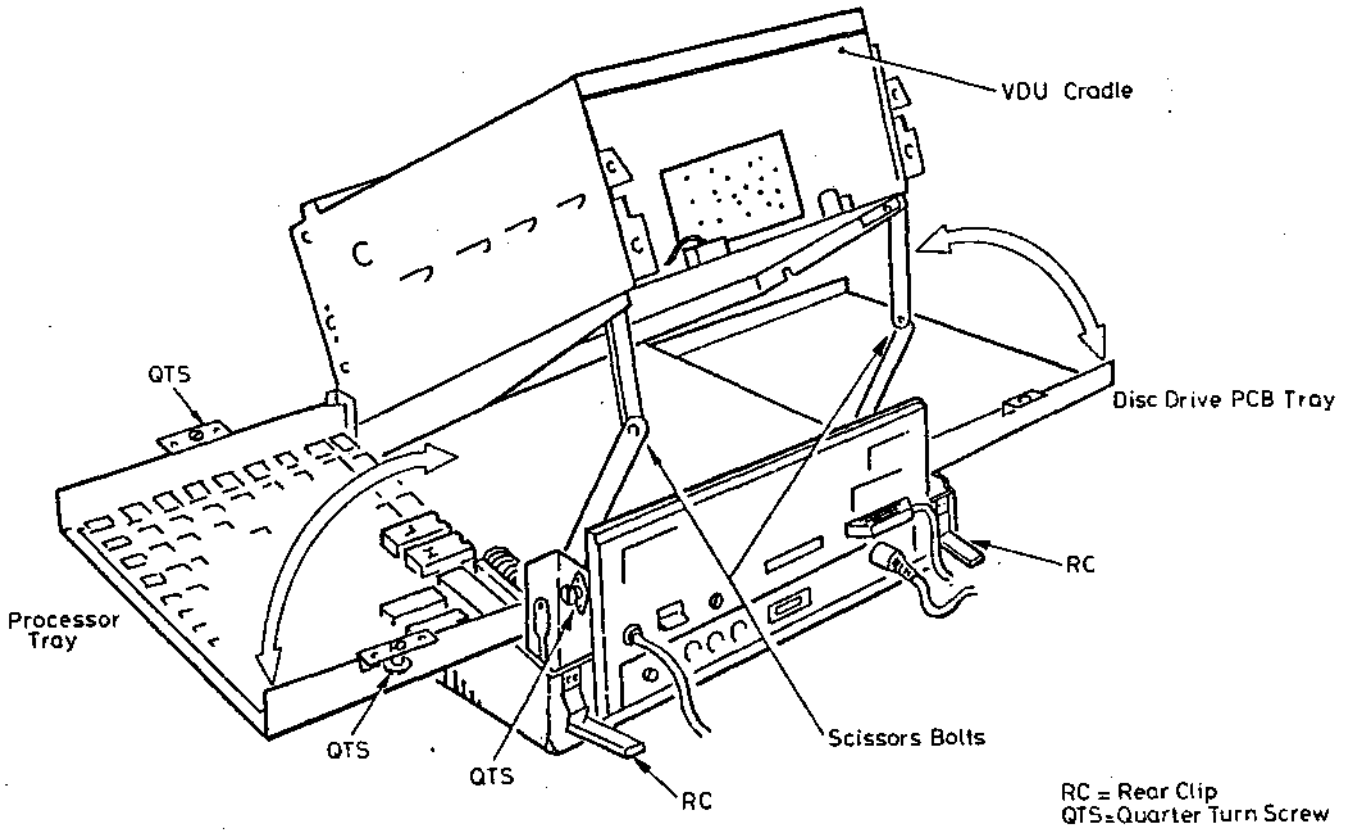


Figure 2.3.2 (c)



Chapter 2

To lower a side trays:

- (1) Using a large flat-bladed screwdriver undo the two screws that hold down the tray to the chassis, a quarter turn anti-clockwise will cause them to spring out and release the tray.
- (2) The tray can now be eased upwards a few inches and then turned on its lower-edge hinge downwards into a horizontal position. The right hand tray contains the 32016 processor board, while the left hand tray contains the Winchester drive interface boards and the optional mouse controller board.
- (3) If necessary, the trays may be removed from the ACW by easing the hinge-pins out of the main chassis.

Access to the bottom of the ACW:

- (1) BOTH side trays must be lowered as described above.
- (2) Both remaining quarter-turn screws should be loosened.
- (3) The rear of the cradle assembly should be moved steadily upwards until two metal stays (the scissors mechanism) are seen to unfold. The stays should be swung fully open and this will raise the cradle assembly further.
- (4) Allow the stays to travel past their fully open position so that they become locked into the support position.

The cradle assembly is now safely supported in its intermediate open position. To open it further, the "scissors bolts" of the two stays must be unscrewed. This need only be done when major servicing (such as whole unit replacements) is being performed on the 6512A processor board, the Winchester drive and the floppy disc drive.

2.3.3 Re-assembling the ACW

- (1) Before closing the upper unit ensure that the ribbon and power cables will not be trapped when the unit closes. Push the scissors mechanism on both sides and allow the top unit to close.

DO NOT USE EXCESSIVE FORCE

- (2) Using a large flat point screwdriver push the rear lower quarter-turn screw into the locating hole in the upper unit and locate the slot in the quarter-turn screw body over the mating bar.

DO NOT TURN THE QUARTER-TURN SCREW UNLESS IT IS CORRECTLY MATED

- (3) Turn the quarter-turn screw until it locks.
- (4) Carry out the same operation on the opposite side of the ACW.
- (5) Replace a side tray vertically into its supports on both sides and then press the tray down checking that no cables are being trapped.
- (6) Locate the tray's locking quarter-turn screws into the upper unit and then gently rotate the quarter-turn screws until they lock.
- (7) Carry out the same operation on the other tray.

Replacing the Upper Case

- (1) Lower the upper case vertically over the ACW with the fan power lead on the OUTSIDE of the rear upper bracket and reconnect the lead to the fan power socket.
- (2) Ease the fan under the bracket while lowering the case. The fan can be viewed through the front VDU aperture.

DO NOT TRAP THE 40 WAY RIBBON CABLE, FIXED TO THE OUTSIDE OF THE RIGHTHAND TRAY, BETWEEN THE TOP AND BOTTOM CASES.

- (3) Tilt the upper case slightly forward and ease the bottom edge of the black front bezel gently over the floppy disc locking lever which should be in the horizontal position.
- (4) Manoeuvre the bottom front edge of the upper unit until it begins to mate with the lower case.
- (5) Keep the front mated and start to close the UPPER case whilst at the same time flexing its side which will allow it to clip into the LOWER case.
- (6) Clip the rear interconnection panel into the upper case.
- (7) Fasten the unit together with the rear plastic clips and seal the unit by replacing the metal safety clips together with their Phillips headed screws.
- (8) Check that the fan works.

2.4 Removing and installing assemblies

DISCONNECT THE ACW FROM THE MAINS POWER SUPPLY.

WARNING

The DC power supply is connected to the PCB boards using *Faston* connectors and identical posts are used for the positive and the 0V supply. All Faston connectors must therefore be checked for correct polarity connection before the DC power is supplied to the various PCBs.

The wires are colour coded as follows:

RED +5V BLACK
0V PURPLE —5V
ORANGE +12V

The RED/BLUE pair provides a nominal 12V for the lower cooling fan.

2.4.1 The power supply

Remove the upper case as detailed in section 2.3.2

Unplug the 11-wire Molex DC connector and the 2-wire Molex 240V connector.

While supporting the PSU, remove the four countersunk Philips screws securing it to the cradle. Take care to avoid skin contact with the heat conducting compound between the PSU and chassis.

Installation is in reverse order, and a *new* supply of heating compound should be liberally applied to entire surface of the power supply unit where it attaches to the VDU cradle.

2.4.2 Colour monitor CRT

BEWARE
— **IMPLOSION HAZARD** —
HIGH VOLTAGES REMAIN EVEN AFTER MAINS DISCONNECTION

CRT replacement should only be undertaken as a bench repair and whilst exercising extreme caution. If possible, enlist the help of a second person when unscrewing the CRT from the cradle.

Proceed strictly in the order given, and refer to Figures 2.4.2 (a) and (b).

- (1) Remove the upper case as detailed in section 2.3.2, Leave the cradle in the normal operating position.
- (2) Disconnect the EHT connector on the left hand side of the CRT.

WARNING DO NOT TOUCH THE CENTRE CLIP

Chapter 2

- (3) Earth the EHT connector centre clip against the chassis metalwork to ensure that the tripler is fully discharged.
- (4) Discharge the CRT final anode. Use a long shafted screwdriver with a high voltage insulated handle, rest the metal shaft on the top of the chassis and touch the tip of the shaft into the CRT final anode EHT socket (from where the EHT connector was removed).
- (5) Disconnect the CRT earth connector from the earth tag on the CRT PCB.
- (6) Remove the CRT PCB from the CRT neck.
- (7) Unclip and remove the (8 way) scan coil plug from the main PCB.
- (8) Unclip and remove the (6 way) degaussing coil plug from the main PCB.
- (9) The CRT is secured by four 5mm bolts, one at each corner of the CRT face. Slacken off the two lower CRT mounting bolts until they are almost at the end of their threads. Slacken off the two top bolts until they are accessible between finger and thumb.
- (10) Whilst supporting the bottom of the CRT face with one hand, remove the lower bolts and then the top two bolts and withdraw the CRT carefully from the front of the cradle assembly.
- (11) Retain the degaussing coil and the earth braid assembly for fitting to the new CRT.

Assembly is in reverse order

Notes:

- (1) Make sure the tube is the correct way up.
- (2) As a guide to centralising the CRT within the chassis, the four corner mounting bracket washers should be aligned to the rounded part of the brackets.

IMPORTANT

Check that the CRT earth to CRT PCB lead is connected. Damage to the monitor can occur if this is not fitted.

2.4.3 Colour monitor PCB

BEWARE OF HIGH VOLTAGES EVEN AFTER MAINS DISCONNECTION.

Access to the monitor PCB is difficult unless the CRT has been removed as described above. The following assumes that the CRT has NOT been removed and so can be undertaken on an installed ACW.

Proceed strictly in the order given and refer to Figures 2.4.2 (a) and (b).

- (1) Remove the upper case as detailed in section 2.3.2. Leave the cradle in the normal operating position.
- (2) Unplug the 3-wire 240V power, the contrast control and video cable connectors from the main PCB.
- (3) Disconnect the EHT connector on the left hand side of the CRT.

WARNING DO NOT TOUCH THE CENTRE CLIP

- (4) Earth the EHT connector centre clip against the chassis metalwork to insure that the tripler is fully discharged
- (5) Discharge the CRT final anode. Use a long shafted screwdriver with a high voltage insulated handle, rest the metal shaft on the top of the chassis and touch the tip of the shaft into the CRT final anode EHT socket (from where the EHT connector was removed).
- (6) Disconnect the CRT earth connector from the earth tag on the CRT PCB
- (7) Remove the CRT PCB from the CRT neck.

- (8) Remove the earthing tag from the main PCB, located next to the tripler module on the chassis.
- (9) Unclip and remove the (8 way) scan coil plug from the main PCB.
- (10) Unclip and remove the (6 way) degaussing coil plug from the main PCB.
- (11) Desolder the leads from the PCB to the tripler (The tripler is screwed to the cradle metalwork on production versions of the ACW). Do not use excessive or prolonged heat.
- (12) Gently prise the monitor PCB off the six nylon PCB support studs, taking care not to use any instrument (such as a screwdriver) which might harm the PCB tracks.

Installation is essentially in reverse order but note:

A new monitor PCB will be supplied with the tripler mounted on the PCB. The correct installation sequence is.

- (1) Unsolder the tripler to line output transformer wire without using excessive or prolonged heat, as the solder tag on the line output transformer is fragile.
- (2) Unsolder the focus control earth and the EHT tripler earth from the monitor PCB.
- (3) Remove the tripler from the PCB. It is secured using two M3 screws and nuts.
- (4) Extend the focus control earth to 16cm using 1/0,6mm PVC wire (single core black) and the EHT tripler earth to 8cm using 16/0,6mm PVC wire (16 strand black). Resolder the two earth wires to the PCB and rest the tripler on the PCB. Do NOT resolder the tripler EHT wire at this stage.
- (5) Install the PCB into the chassis on the six nylon pillars.
- (6) Remount the tripler on the chassis (with the tripler. EHT close to the line output transformer) using the same two screws and nuts.
- (7) Resolder the tripler EHT wire to the tag on the line output transformer, without excessive or prolonged heat. Ensure that this wire is not under tension.

Continue with the installation following the instructions for removal, but in reverse order.

IMPORTANT

Check that the CRT earth to CRT PCB lead is connected. Damage to the monitor can occur if this is not fitted.

2.4.4 The 32016 processor PCB

- (1) Remove the upper case as detailed in section 2.3.2
- (2) Release the quarter-turn screw and lift and swing the side tray into the horizontal position.
- (3) Disconnect the *Faston* DC supply (4 connections), the IDC ribbon cable connector and the keyboard wire on PL9 from the PCB.
- (4) Remove the 6 nylon screws holding the PCB and insulation sheet to the tray.

Installation is in reverse order. Take care not to overtighten the nylon screws holding down the PCB.

Figure 2.4.2 (b) Earthing the CRT Final Anode.

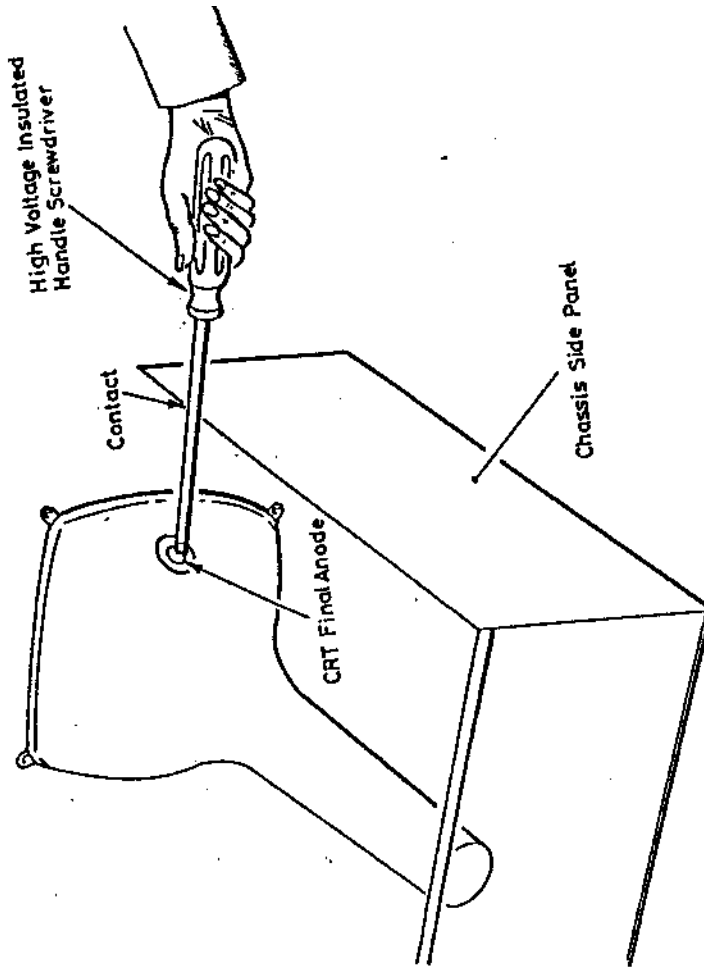
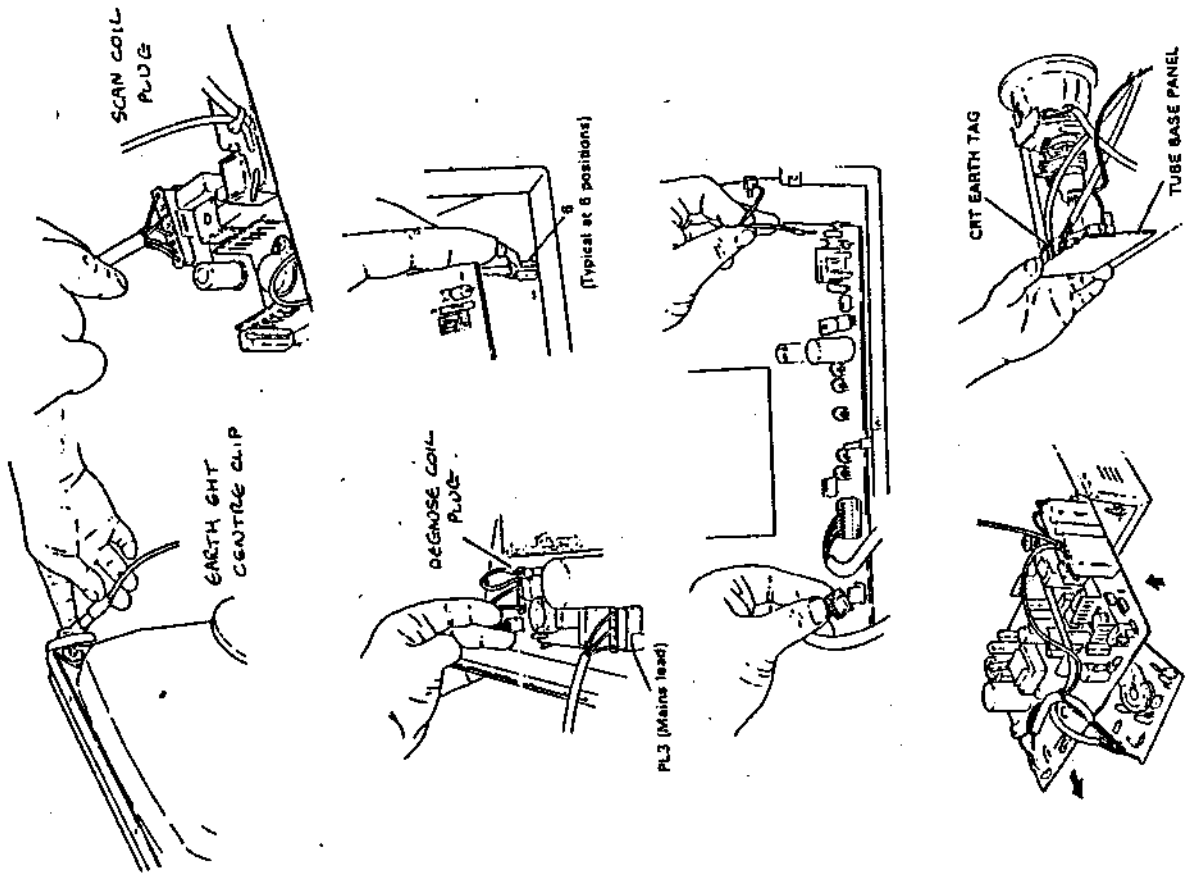


Figure 2.4.2 (a) Monitor Removal/Installation Details.



2.4.5 ADAPTEC PCB

- (1) Remove the upper case *as* detailed in section 2.3.2
- (2) Release the quarter-turn screw and lift and swing the side tray into the horizontal position.
- (3) Disconnect the Molex 4-wire DC supply and the 3 IDC ribbon cable connectors.
- (4) Prise the PCB from its four nylon PCB support pillars.

Installation is in reverse order.

2.4.6 Winchester host adapter PCB

- (1) Remove the upper case *as* detailed in section 2.3.2
- (2) Release the quarter-turn screw and lift and swing the side tray into the horizontal position.
- (3) Disconnect the 2 Faston DC supply connectors and the 2 IDC ribbon cable connectors.
- (4) Prise the PCB from its four nylon PCB support pillars.

Installation is in reverse order.

2.4.7 Mouse interface PCB

- (1) Remove the upper case *as* detailed in section 2.3.2
- (2) Release the quarter-turn screw and lift and swing the side tray into the horizontal position.
- (3) Disconnect the 2 Faston DC supply connectors and the 3 IDC ribbon cable connectors.
- (4) Prise the PCB and insulation sheet from its four nylon PCB support pillars.

Installation is in reverse order.

2.4.8 Disc drives

To service the disc drives it is recommended that the cradle assembly is pivoted beyond its intermediate position.

To do this ensure that a piece of soft material such as a block of sponge rubber 150mm thick is placed in front of the ACW to act as a supporting bed for the CRT as it swings over into an upright position. A 6mm spanner, box spanner or small adjustable wrench will be needed to unscrew the self-locking nut from the middle of each stay. Keep the two nuts and the two nylon washers in a safe place ready for re-assembly.

Each drive can be removed from the ACW individually.

WARNINGS

The Winchester drive must be carefully removed and installed. Do not subject it to rough handling or vibration.

The Winchester drive contains **STATIC SENSITIVE** components, observe normal precautions for handling such devices.

Winchester disc drive

- (1) Disconnect both ribbon cables from the drive. Disconnect the power lead at the disc drive end.
- (2) The Winchester disc drive is held down to the disc tray by four 6/32 UNC 3/8" screws. Remove these taking care to support the drive from the front to prevent it falling through the

front aperture.

- (3) Keep these screws separate from any others removed as they are non-standard.
- (4) Still supporting the drive from the front, partially lower the main chassis taking care not to trap any cables. The drive can then be removed through the front aperture.

Installation is in reverse order. Make sure that cables are not trapped or pinched by the chassis stays.

Floppy disc drive

- (1) Disconnect the ribbon cable from the drive. Disconnect the power lead at the disc drive end.
- (2) The floppy disc drive is held down to the disc tray by four Philips M3 screws. Remove these taking care to support the drive from the front to prevent it falling through the front aperture.
- (3) Still supporting the drive from the front, partially lower the main chassis taking care not to trap any cables. The drive can then be removed through the front aperture.

Installation is in reverse order. Make sure that cables are not trapped or pinched by the chassis stays. 2.4.9

110 Processor PCB

To service the 6512A PCB it is recommended that the cradle assembly is pivoted beyond its intermediate position in the manner described in subsection 2.3.2 above.

- (1) Remove the 7 Faston plugs carrying the DC power lines. Remove the 5 IDC plugs from the furthest edge (viewed from the rear) of the PCB. It is possible that on some models the middle IDC socket may be vacant. Remove the keyboard plug which is approximately in the centre of the PCB. Remove the loudspeaker and volume control plugs (2 and 3 wires). Remove the monitor plug (5 wires).
- (2) Remove the 4 Philips-head screws securing the PCB, and, moving the ribbon cable to one side as necessary, withdraw the PCB from the base of the ACW.

Installation is in reverse order. 2.

4.10 Plastic base assembly

A plastic base assembly holds the monitor contrast potentiometer, the volume control potentiometer, the loudspeaker and the Winchester cooling fan. To service components on this tray it is recommended that the cradle assembly is pivoted beyond its intermediate position.

- (1) To do this ensure that a piece of soft material such as a block of sponge rubber 150mm thick is placed in front of the ACW to act as a supporting bed for the CRT as it swings over into an upright position.
- (2) A 6mm spanner, box spanner or small adjustable wrench will be needed to unscrew the self-locking nut from the middle of each stay. Keep the two nuts and the two nylon washers in a safe place ready for re-assembly.
- (3) The components on the plastic base assembly can now be reached. Depending on the components to be replaced or repaired the task may be made easier by removing the tray from the case. Four self-tapping Philips screws hold the tray down into the case.
- (4) Place a sheet of card or similar material over the I/O processor to prevent solder splash damage.
- (5) Note the colour coding and polarity of the wiring loom to the faulty component. Unsolder these wires.
- (6) Remove the faulty item. The loudspeaker is held down with silicon rubber adhesive and can be prised out of the tray with a screwdriver. The lower cooling fan is held down by four Philips screws. The volume and brightness potentiometers are held in by 3/8" or M10 thin nuts and

removal must be preceded by the removal of the fan.

Installation is in reverse order.

3. The monitor

3.1 Introduction

The ACW uses a medium resolution Microvitec Cub colour monitor which comprises of the CRT, two PCBs (main PCB and CRT PCB). High voltages are present at the CRT and associated PCBs, and these voltages can be retained in the circuits for many hours after the equipment has been disconnected from the mains. It is recommended that the monitor is checked for electrical safety after any repair or replacement has been carried out. This chapter covers the preset adjustments and user adjustments and a circuit description.

3.2 Removal and installation

This is done in accordance with the instruction given in sections 2.4.2 and 2.4.3.

3.3 Servicing

All servicing should be carried out in accordance with the instructions contained in the MICROVITEC SERVICE MANUAL Number GP0019AAO. A copy of this may be obtained from the address given in the appendix. The following sections should be used for reference only and if in any doubt refer to the Microvitec Manual.

3.4 Adjustments

3.4.1 User adjustments

The user may only make adjustments to VDU contrast, using the left-hand control knob positioned at the front of the ACW under the Winchester drive position.

3.4.2 Factory preset adjustments

Adjustments to certain presets can be made from above or below the main panel. Adjustments are best made with a symmetrical test pattern showing on the screen.

(1) Set HT VR4

IMPORTANT This is adjusted actually at the factory to give 124V with a dark picture showing. This is a **CRITICAL SAFETY ADJUSTMENT** and should NOT be adjusted.

WARNING

FAILURE TO COMPLY WITH THE ABOVE WILL INVALIDATE THE WARRANTY.

(2) Line frequency VR218

A. Set free running oscillator frequency to almost the frequency of incoming line syncs.

B. Adjust VR218 while supplying an RGB video and interrupt the mixed sync information to the line oscillator by removing the sync information on PL101.

C. Adjust VR218 until the picture almost stabilises, then re-connect sync information via PL101 as required. The result should be a stable picture lock.

(3) Field frequency VR307

A. The control of the free running field oscillator frequency is achieved by VR307 being

adjusted to give a stable picture lock. For an effective lock, VR307 should be set to the centre of the locked picture range.

(4) Line Phase VR220

A. VR220 controls the positioning of the video information relative to the raster in the line scan direction.

B. Ensure that the following operations have been carried out:

- (1) The line frequency has been set by VR218
- (2) The picture width has been set by L202
- (3) The monitor is positioned in its place of use.

Note: VR220 will shift the picture right or left.

(5) Width L202

CAUTION: Care should be taken when adjusting this component as high voltages are in close proximity to it (in particular at the tripler and line output transformer.)

A. Using a non-metallic trimming tool, adjust L202 to give the correct picture width.

(6) Height VR306

A. Raster under scan and over scan is adjusted by VR306

(7) Field linearity VR312

A. Adjust VR312 to give a linear picture in the vertical direction.

Note. Use a cross hatch grid test generator to obtain best results.

(8) Field shift VR321

A. The raster position in the field scan direction is adjusted by VR321

(9) East-West correction VR328

A. Adjustments of VR328 will achieve straight verticals on the left and right hand sides of the picture.

(10) Focus

Located on the end of the tripler module. Set the brightness control to the normal viewing level, then make the focus adjustment.

(11) Adjust colour background control (black level)

Note: An AVO 8 multimeter and/or an oscilloscope are required for these adjustments.

(A) Prepare to adjust background colour controls.

- (1) Set user contrast (VR111), brightness (VR134) and AI (VR932) fully anti-clockwise
- (2) Disconnect RGB sync inputs

(B) Adjust red, green and blue

- (1) Adjust VR906 for red cathode (black level) volts
- (2) Adjust VR914 for green cathode (black level) volts
- (3) Adjust VR921 for blue cathode (black level) volts
- (4) The voltages are 140V for the 14 inch monitor.:

(C) Adjust AI voltage:

- (1) Adjust VR932 until a raster is just visible

- (2) The raster colour may be neutral, but it is more likely to be shaded towards the red, green or blue or to a combination of any two colours.
- (3) Establish raster colour shading as follows:
 - (a) Red and green — yellow
 - (b) Red and blue — magenta
 - (c) Blue and green — cyan
- (4) Reduce the black level of the remaining one or two guns by adjusting VR906, VR914, VR921 or a combination until a neutral raster is achieved.
- (5) Re-adjust VR932 to just extinguish the raster
- (6) Input RGB and sync signals, then adjust VR111 clockwise
- (7) If the correct white balance has not been achieved, repeat this section. (12)

Adjust colour gain controls

CAUTION: Make the following adjustments using a DC coupled oscilloscope only.

- (A) Prepare to adjust colour gain controls.
 - (1) Disable beam current limit circuit, by removing TL901 in series with CRT heaters on tube base panel
 - (2) Provide a test pattern with peak white and blank level information on red, green and blue
 - (3) Ensure VR111 is fully clockwise to provide maximum drive voltages to the video output stages.
- (B) Adjust red, green and blue gain controls
 - (1) Adjust VR903 for red peak to peak drive volts at R926
 - (2) Adjust VR910 for green peak to peak volts at R925
 - (3) Adjust VR916 for blue peak to peak volts at R924
 - (4) The voltages are 70v p-p for 14" TTL monitor.

3.5 Circuit description

3.5.1 Technical specifications

System	: 625 lines, 50 fields interlaced
Supply	: 240V 50Hz
Timebase (line)	: Pull-in range 15 to 16KHz
Frame frequency	: 50Hz – Pull-in range 45 to 65Hz
Positional error	: + or –3%
Convergence error	: 0.6mm screen centre 1. 6mm screen edge
EHT	: 24KV approx
EHT regulation	: + or – 1KV
Line frequency	: 15.625KHz
Degaussing	: Automatic at switch on
Bandwidth	: 18MHz
Resolution	: 452(H)x585(V) elements
Dot pitch	: 0.64mm
CRT	: 90 degree deflection, vertical stripe screen

3.5.2 Video input

TTL mode is used. The contrast of the video information is tracked by varying the available potential across the open collector load resistors, R114, 115 and 116 which are supplied by TR101 from +12V, the base being driven from the contrast control slider VR111. R112, C101 form a low pass filter and ensure smooth operation of the contrast control.

CRT Beam current. The information is fed to D117, 118, from a constant current source derived from the main HT rail. As the CRT beam current increases the D117/118 junctions become more negative and thus D117 conducts more heavily causing the voltage to TR106 base to decrease. R136, C105 filter the signal, the derived voltage is emitter followed and supplies the TR103, 104 and 105 emitters directly. Hence any increases in CRT beam current above a preset limit causes an automatic reduction in picture brightness.

The brightness of the display is adjusted by VR134 enabling parallel adjustment of RGB and black levels within a + or –20V range from a 700µA nominal.

TR102 is a fast switching transistor used to derive mixed blanking pulses for the flyback blanking of video information. The base is driven from a potential divider/mixer network, from a line flyback pulse and from a frame flyback pulse. Line flyback is advanced in phase with C225, to allow for transistor switching delays. D107 holds TR102 in a semi-saturated state.

IC101 is also used to provide the following sync options:

- (1) TL102 is in its non-active position: Composite negative sync.

Composite negative sync is fed in on PL101, pin 7, allowing pin 2 of IC101 to be pulled high, where upon IC101 performs a sync inversion and provides an attenuated positive sync waveform for driving sync separators of IC201, via R201 and TL106.

- (2) TL102 is in a non-active position: Separate negative line and field sync pulses.

Line sync pulses are fed in on pin PL101, pin 5. IC101 performs an exclusive OR function, the output being an inverted composite sync waveform.

- (3) TL106 is switched to inverse field option: Separate positive line and field syncs. These are fed in on PL101; pin 7 is in its grounded position. IC101 provides an attenuated and buffered line sync feed for IC201 via R201. Positive field sync information is fed directly to PL101, pin 3 "sync 3" input, by TL106(B) and R202.

- (4) TL102 is in its grounded position: Composite positive sync.

The sync is fed in on PL101, pin 7. IC101 now provides an output in phase with the input and of a suitable amplitude for driving IC201 directly, via R201 and TL106.

3.5.3 Line timebase

A. Line oscillator function is based on IC201, providing three outputs:

- (1) Horizontal drive pulses for control of line output stage.
- (2) Vertical sync pulses compatible with synchronisation of IC301 field output IC.
- (3) A sandcastle pulse providing burst gate and clamping information. Sync

Separator

A. TDA 1180P incorporates separate noise gate sync separators for line/field syncs, which accepts positive going sync pulses (or negative going composite video) on pins 8 and 9.

B. Output pulses from the line sync separator are used in conjunction with a sync gate to synchronise the line oscillator in a phase locked loop circuit.

Line oscillator – phase detectors

A. The line oscillator is timed by a network of resistors and capacitors on pins 14 and 15 of IC201, used to derive a pulse of suitable mark space ratio for driving line output stages.

B. IC201 contains two basic control loops, each containing a phase detector.

- (1) The first phase detector compares the output of the line oscillator with the incoming line sync pulse. Phase detector output on pin 13 is filtered and fed to the voltage control input of the oscillator on pin 15.
- (2) The second phase detector, compensating for delays introduced by the line output stage and compares line flyback pulses at pin 6 with the oscillator output. Phase detector output consists of a bi-directional current source used to charge/discharge C213 on pin 5. The voltage derived from C213 is used to control a phase shifter, which regulates the phase of the output pulse on pin 3. Pin 5 also provides a line-shift function, by offsetting the voltage developed across C213, charged from VR220, R221 and R222 allowing a phase shift of + or $-1\mu\text{S}$, between the line scan and the video information.
- (3) A $7\mu\text{S}$ gate pulse from the line oscillator, the phase position of which is centred around the horizontal sync pulse. The gated pulse is used to control the arrival of sync pulses at the sync phase detector for a duration of $7\mu\text{S}$, allowing latching and de-latching of the line oscillator, obtained by a coincidence detector which compares the phase gate pulse with that of incoming syncs.
- (4) When the two signals are not aligned, the coincidence detector is used to switch a p.1.1. filter into a short time constant mode, giving a high input impedance at pin 12, thus increasing sensitivity and loop gain of the oscillator. The phase locked loop now has a low noise immunity but has a very wide capture range. When aligned, the coincidence detector activates the time constant switch, causing a low impedance to appear on pin 12 and achieving a lower sensitivity and loop gain, but providing a high degree of noise immunity. During the locked condition, the p.1.1. operates with a long time constant.

Line driver stage

A. Horizontal drive pulses from pin 3 of IC201 are DC coupled to TR201 and used to control the driver transformer T201, providing the impedance conversion to supply the 600mA forward base current which is required to saturate the line output transistor TR202. Ringing is damped by R225 and C214 at TR201 turn off, thus limiting its V_{ce} to a safe value. The HT supply to the line driver comes from the main HT supply rail, prior to R231 and HT scan interlock (PL201 pins 5 and 6), allowing its operation to be checked independently of the line output stage.

Vertical sync output

- A. The output of the field sync separator is used to drive the vertical sync output stage on pin 10 of IC201.
- B. The pulse is also used internally to inhibit the first phase detector during the field sync period, thus preventing top flutter resulting from equalising pulses.

3.5.4 Line output

A. Line output

- (1) L202, L203 and T202 primary are tuned during the flyback period by C222. This lasts for 11.8 — 11.1µS.
- (2) The line output transistor TR202 is driven directly from the secondary winding of T201. The on current is controlled by R227, while turn off dissipation is minimised by L204.
- (3) Line linearity correction is provided by L203, which is damped by C217 and R230. S correction is provided by C218.
- (4) The field timebase +25V is achieved by rectifying a negative going flyback voltage from the secondary winding of the line output transformer. A fusible resistor provides CRT protection under possible fault conditions.

3.5.5 Field timebase

The field timebase function is carried out by IC301. The oscillator frequency is determined by VR307, R308 and C303. A 100µS output pulse is produced on pin 12. Field sawtooth is derived from the potential across C305 and C306 as they charge towards the +25V supply via resistors R304, R305, VR306 and R301. When the field scan is completed the 100µS pulse discharges C305 and C306, ready for the charging cycle to be restarted.

Field Linearity

- A. A sawtooth output should exist on pin 1 of IC301.

Field flyback

- A. In order to achieve a short field flyback time, a supply voltage which is larger than that required during the scan must be applied to the field deflector coils during the flyback period. This is made possible by the use of a separate field flyback generator within IC301.
- B. The main HT supply for IC301 is supplied to pin 5 via D302. During flyback the generator doubles the supply on pin 5 and the potential on pin 3 is switched from 0V during scan to +25V during flyback.
- C. D302 isolates pin 5 from the +25V supply. When the deflection coil field has collapsed and the potential across the field scan coils has fallen below +25V, pin 3 is switched back to 0V and the scan cycle is resumed.
- D. Synchronisation of IC301 is achieved by feeding a positive going field sync pulse to pin 8 of IC301.

HT supply for IC301

- A. This supply is derived via C305, C306 and VR306 with associated components R303, C301 and D301 minimising picture bounce and "breathing" effects.

Field output

- A. The sawtooth is applied to the output stage within IC301 and the scan output is available on pin 4. The current within the coils is sampled by R323 then fed back via R317 to the virtual earth input of IC301 (pin 10).

B. The gain of the output amplifier is set by the ratio of R314 and R317. The DC operating point is set by the ratio of R318 and R316.

Picture geometry

A. CRT E-W pincushion distortion is corrected by the modulation of the line deflection current in transducer T202. AC gain from the amplifying driver is used to control the amount of correction applied to the CRT.

3.5.6 CRT tube base panel

(1) All CRT electrodes are protected by a resistor, a capacitor and a spark gap.

The spark gaps on all electrodes with the exception of focus are formed by a 1-2kV ring trap gap positioned within the base socket assembly. The high focus voltage has a separate 10kV spark gap contained within the tube base socket.

(2) The CRT electrodes are separated from the video outputs by 220 ohm resistors, the 100K resistor of the grid and the 820K resistor of A1.

(3) Decoupling of the grid and A1 is performed by C910 and C911.

(4) The focus voltage is provided by a potential divider located within the tripler module, providing an adjustable voltage of 5-8KV.

(5) The A1 voltage is adjusted by VR932, offering a range of 350-820 volts.

(6) The CRT heaters may be disconnected by removing TL901. This is to enable video adjustments to be made.

(7) The CRT cathodes are directly driven from the video output stages mounted on the CRT panel. Video output stages

Since the red, green and blue video output stages are identical, the description given here is for the red stage only.

(1) TR902 forms a class A amplifier with AC gain derived from the ratio of R935, R902 and VR903 and DC gain derived from a DC offset current set by the ratio of R905 and VR906.

(2) R904 forms a video output load.

(3) When in conduction, the CRT input capacitance sees TR902 as a low impedance drive source.

(4) Video compensation, which helps maintain a constant amplifier response curve over the full range of VR903, is achieved by the split capacitances of C902 and C903.

(5) The video black level voltage is set by a DC reference of approximately 7.5V connected to the emitters of TR902, TR904 and TR906.

(6) TR907 performs line and field blanking.

TR907 is driven by negative going mixed blanking pulses from TR102. A 7.5V black level reference is provided by the conducting TR907.

TR907 is turned off during line and field flyback, thereby forcing video outputs off.

(7) R937, D117 and D118 are responsible for sensing beam current.

4.I/O Processor board

The ACW's uses the 6512A as its I/O processor. The PCB board is the same *as that* used in the BBC Model B+ microcomputer except for a small number of omissions, the most noticeable of which is the UHF Modulator and associated components.

4.1 Specification

4.1.1 The microcomputer

Internal loudspeaker driven from a 4-channel sound synthesis circuit with ADSR envelope control.

A BNC connector supplies a composite video output to drive a black and white or PAL colour monitor.

6-pin DIN connector provides separate RGB and sync outputs at TTL levels. RGB are all high true, and sync is link selectable as high or low true, pulse duration 4.0 microseconds.

A standard audio cassette recorder can be used to record computer programs and data at 300 or 1200 baud using the Computer Users' Tape Standard tones. The cassette recorder is under automatic motor control and is connected to the computer via a 7-pin DIN connector.

An interrupt driven elapsed time clock (user settable).

6512A processor running at 2MHz.

64K of read/write Random Access Memory (RAM), allowing a shadow screen mode, and 12K paged RAM in any mode.

Read Only Memory (ROM) integrated circuit containing the Machine Operating System and a fast BASIC interpreter. The interpreter includes a 6502/6512 assembler which enables BASIC statements to be freely mixed with 6502/6512 assembly language. Code generated using the BASIC assembler can be run on a machine with a 6512 microprocessor, or a machine with a 6502 microprocessor.

Up to five 32K sideways ROMs may be plugged into the machine at any time, having the effect of ten 16K ROM slots (eleven including BASIC). These ten 16K ROM slots are paged and may include Pascal, word processing, computer aided design software, disc and ECONET and WINCHESTER filing systems or TELETEXT acquisition software.

The full-colour Teletext display of 40 characters by 25 lines, known as mode 7, has character rounding, with double height, flashing, coloured background and text plus pixel graphics - all to the Teletext standard.

The non-Teletext display modes (modes 0 to 6) provide user-definable characters in addition to the standard upper and lower case alpha-numeric font. In these modes, graphics may be mixed freely with text.

The following screen modes are available:

Mode 0/Mode 128: 640 x 256 2-colour graphics and 80 x 32 text
Mode 1/Mode 129: 320 x 256 4-colour graphics and 40 x 32 text
Mode 2/Mode 130: 160 x 256 16-colour graphics and 20 x 32 text
Mode 3/Mode 131: 80 x 25 2-colour text only
Mode 4/Mode 132: 320 x 256 2-colour graphics and 40 x 32 text
Mode 5/Mode 133: 160 x 256 4-colour graphics and 20 x 32 text
Mode 6/Mode 134: 40 x 25 2-colour text only
Mode 7/Mode 135: 40 x 25 Teletext display

All screen access is via the I/O processor operating system.

Shadow mode gives 32K BASIC program RAM (less workspace) to the user in any screen mode.

The shadow screen mode offers equivalent display sizes to the standard mode 0 to 7 screens, but using an auxiliary memory area, the "shadow" RAM. In shadow display modes (modes 128 to 135) BASIC or a user program is free to use all memory between OSHWM (PAGE) and &7FFF, plus the 12K bytes of sideways (paged) RAM.

The 12K paged RAM is available to the user in any screen mode, shadow or non-shadow. The

ACW starts up in shadow mode.

Serial interface to RS423 standard. The new standard has been designed to be inter-operable with RS232C equipment. Baud rates are software selectable between 75 baud and 19200 baud (guaranteed up to 9600 baud).

An 8-bit input/output port with 2 control bits.

Four analogue input channels. Each channel has an input voltage range of 0V to 1.8V. The conversion time for each channel is 10 milliseconds. The resolution of the ADC chip is 10 bits.

1 MHz buffered extension bus for connection to the Winchester PCB, the mouse PCB, and to a variety of external hardware such as a TELETEXT acquisition unit and IEEE 488 interface.

Buffered interface for connection via the TUBE to the 32016 processor PCB.

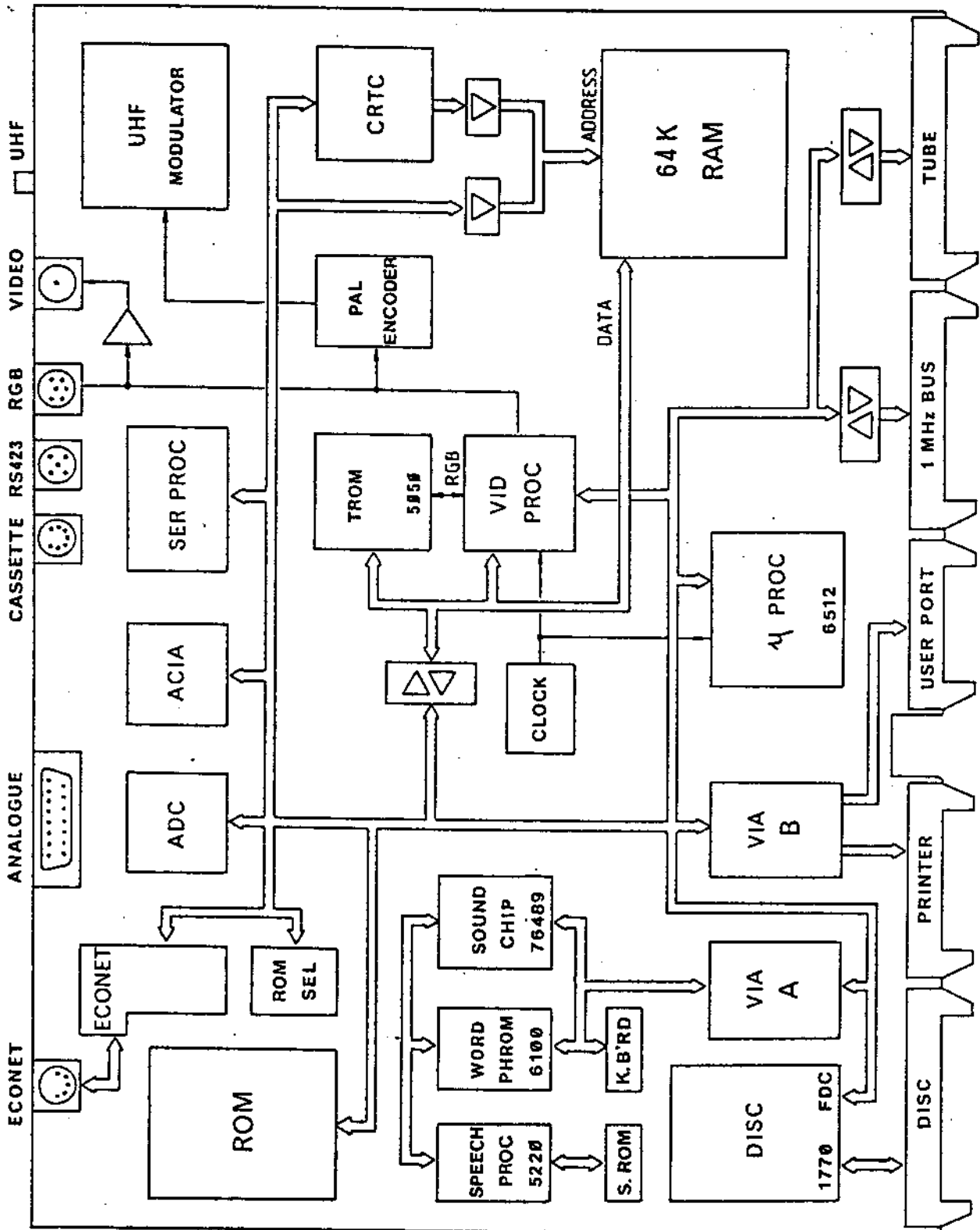
CENTRONICS compatible printer interface.

A dedicated floppy disc interface using the 1770 controller IC.

A dedicated network interface, the Acorn ECONET.

A speech upgrade is available using the 5220 speech IC to generate predefined words and sounds through the built-in speaker.

Figure 4.1.1 I/O Processor Block Diagram.



Chapter 4

4.1.2 Power requirements

+5V voltage	+5V DC +/-0.1V
+12V voltage	+12V DC +/-10%
-5V voltage	-5V DC +/-10%

4.1.3 Display outputs

Colour monitor (marked RGB)	
RGB signals	TTL type levels
CSYNC signal	TTL type level +ve/-ve going (link selectable)

4.1.4 RS423

Line length	1200m maximum
Input impedance	> 4k ohms
Baud rate	19200 maximum (

guaranteed up to 9600) **4.1.5 Cassette**

interface

Output impedance	Less than 1k ohms
Input impedance	Greater than 100k ohms
Output level	Nominal 200mV peak to peak, 70mV RMS
Dynamic input range	Nominal 50mV to 5V peak to peak, -25 to +15dB 0dB = 350mV RMS
Motor control	By miniature relay within computer Contact rating 1A at 24V DC
Baud rate	300 or 1200 baud using standard CUTS tones (1200 and 2400 Hz tones)

4.1.6 Analogue to digital convertor

Resolution	10 bit
Full scale input voltage	VREF
VREF	1.8V typical
Accuracy (with respect to VREF)	
full scale error	0.5% typical
zero scale error	0.5% typical
Non-linearity	0.1% typical
Temp coefficient	-6mV/degree C typical
Conversion speed	10.0ms per channel typical
Input impedance	> 1M ohms

4.1.7 ECONET

Line voltages 0.25V and 3V typical into 50 ohms

4.1.8 CENTRONICS compatible printer interface Data strobe

4us pulse

4.1.9 Audio output

Output power 0.5W
Speaker impedance 8 ohms

4.1.10 Environment Air temperature

system on 0 to 35 degrees C
system off -20 to 70 degrees C

Humidity

system on 85% relative humidity at 35 degrees C
system off 95% relative humidity at 35 degrees C

Storage conditions

air temperature -20 to 70 degrees C
humidity 95% relative humidity at 55 degrees C

4.2 Circuit description

This circuit description has been kept as simple as possible as the detailed fault finding section (section 4.7) should prove to be of more use for servicing.

4.2.1 General

The microcomputer uses the 6512 CPU (IC42) which allows more accurate timing of the logic circuitry than did the 6502, see subsection 4.2.2. The 6512 requires two clock signals at 'MOS' voltage levels, in all other respects it functions in the same way as the 6502.

The computer clocks are derived from a 16MHz crystal controlled oscillator circuit (X1 and half of IC26), and divider circuitry in the video processor ULA (IC53).

The 6512 accesses 31 1/4Kbytes of ROM, 3/4Kbyte of memory mapped input/output, and up to 44Kbytes of RAM. 64Kbytes of RAM are installed on the PCB, the extra 20Kbytes being used for the screen memory in shadow mode.

The memory mapped I/O is located in pages &FC, &FD, and &FE of the CPU address space.

There are five sideways ROM sockets installed on the PCB, each capable of taking an 8, 16, or 32Kbyte ROM or EPROM (ICs 35 44 57 62 68). When used with a 32K ROM, each sideways ROM socket is decoded as two 16K sideways ROM slots. A sixth ROM socket IC71 holds a 32Kbyte ROM which contains the operating system and BASIC. The number of the ROM currently in use is held in the ROM select latch (IC45).

64Kbytes of RAM are installed on the board in eight 64K by 1 bit DRAM chips, (ICs 55 56 60 61 64 65 66 67). Of this RAM, 32Kbytes are always accessible to the CPU, 12Kbytes can be paged into the sideways (paged) ROM space, and the remaining 20Kbytes are used as screen memory in shadow

mode. Both CPU (IC42) and 6845 cathode ray tube controller (IC78) have access to the RAM. Each can access the RAM at full 2MHz clock speed by interleaving the accesses on alternate phases of the 2MHz clock. The RAM is thus being accessed at 4MHz. The 6845 accesses the RAM sufficiently to perform the refresh function.

Screen display is provided through the 6845 (IC78), video processor (IC53), and various encoding circuits. Three display outputs are available:

RGB consists of CSYNC and RED GREEN BLUE at TM voltage levels. Each colour is either on, off, or flashing, giving sixteen displayable colour effects, ie eight static colours and eight flashing colours.

VIDEO output is a summation of RGB to give a grey scale (luminance only). If link S26 is made the chrominance component (colour information) is added to the VIDEO output.

Serial input/output is provided by the cassette port and RS423 port. Both are controlled by the 6850 asynchronous communications interface adapter (IC82) and a ULA called the serial processor (IC85).

Analogue input is fed to the four-channel 10 bit ADC chip (IC84).

A local area network facility is provided by the ECONET circuitry, centred on the 68B54 advanced data-link controller (IC81).

The floppy disc controller is the 1770, IC16. The 1770 operates in either single density (FM) or double density (MFPM) mode, and includes a data separator and disc speed decision logic. ICs 1, 2, 3, 4, 9 and 15 are not required with a 1770.

The CENTRONICS compatible printer interface is based on half (the A port) of a 6522 versatile interface adapter (IC10). IC5 buffers data sent to the printer.

The User Port is connected directly to the B port of the same 6522 (IC10).

The 1MHz extension bus is a fully buffered interface to the CPU, operating with bus transfer cycles. The bus appears as a 512 byte address block in the processor I/O space at pages &FC and &FD.

The TUBE interface provides buffered address and data lines for connection to the 32016 processor. The TUBE itself is a fast parallel bidirectional FIFO and is resident on the 32016 PCB.

The keyboard is read through half (the A port) of a 6522 versatile interface adapter (IC20).

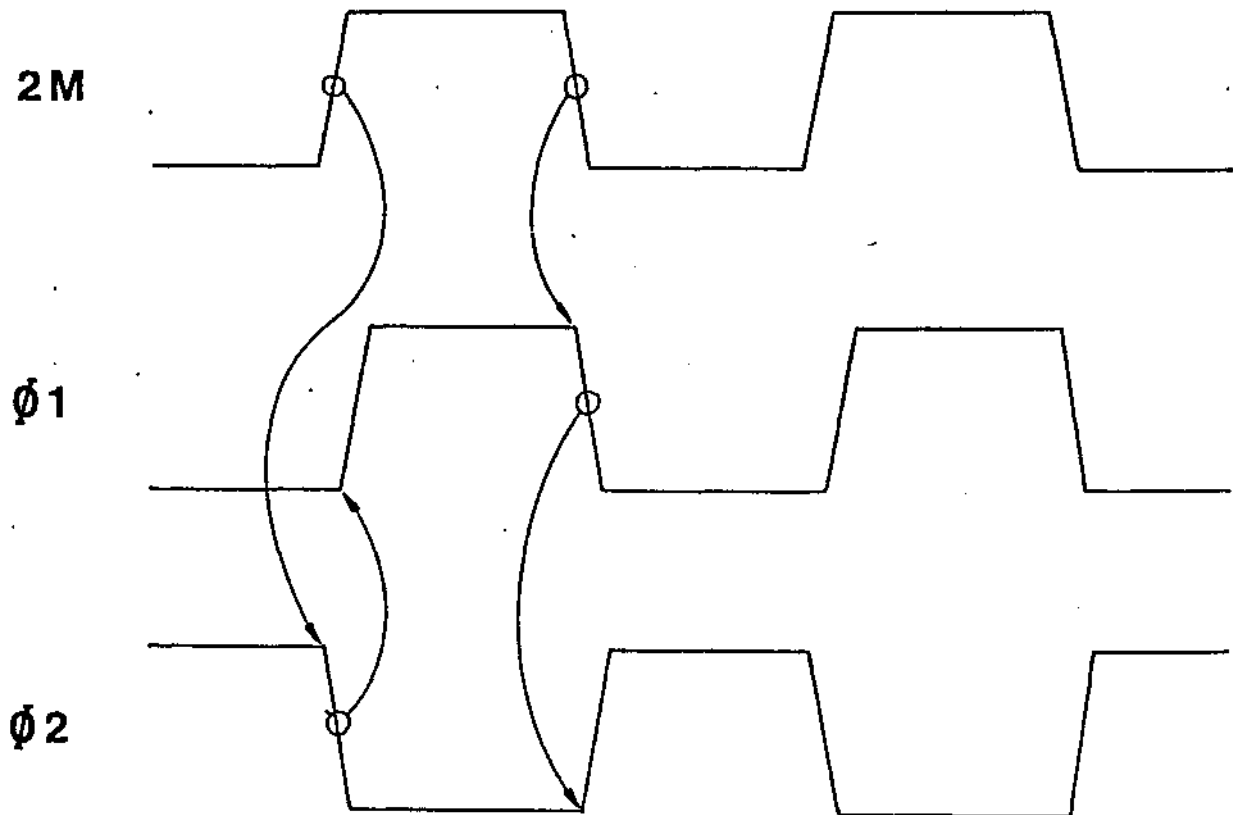
Sound is produced by the 76489 (IC38), a four-channel sound generator chip. Speech may be generated using an optional 5220 speech processor (IC29) and 6100 word PHROM (IC37).

4.2.2 CPU timing

A 16MHz crystal controlled oscillator (X1 and half of IC26) generates clock pulses which are divided by circuitry within the video processor ULA (IC53). Pins 4, 5, 6, and 7 of the video processor provide 1MHz, 2MHz, 4MHz, and 8MHz outputs respectively. 8MHz, 4MHz and 2MHz are used to generate RAS and CAS for the DRAMs, and 6MHz for the TELETXT chip IC59. 2MHz is used to generate the main system clock, 2E. 1MHz is used directly by the TELETXT chip, and also in conjunction with 2MHz to generate the phase shifted 1MHz system clock, 1E from IC25.

The CPU is normally clocked at 2MHz. The 6512 (IC42) requires a two phase non-overlapping clock on inputs phi1 (pin 3) and phi2 (pin 37), see figure 4.2.2 (a).

Figure 4.2.2 (a) Clocks phil and phi2.

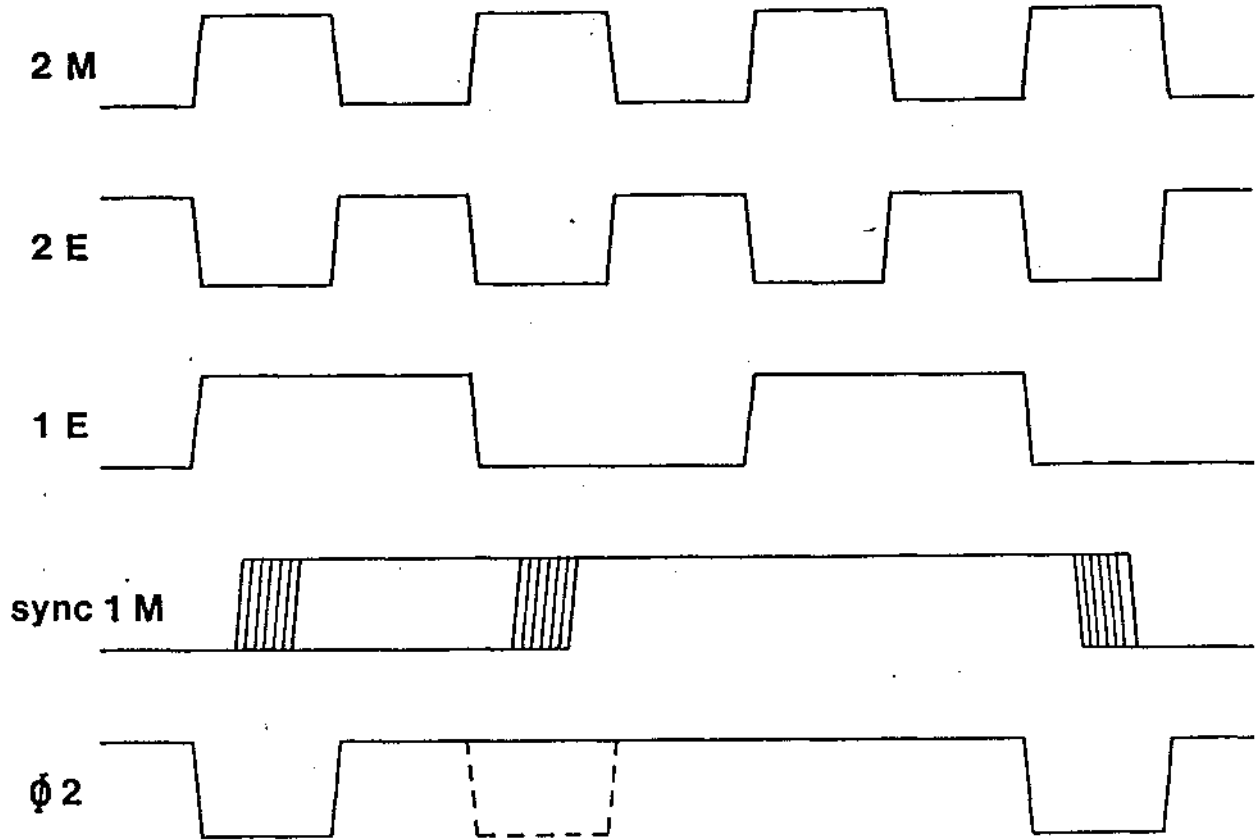


Phil and phi2 are generated by IC33, two gates of which are used to build an R-S latch. Not2M from IC26 is used to set and reset the R-S latch which toggles at 2MHz unless a third gate from IC33 blocks the N2M signal. During 2MHz operation the phi2 clock corresponds to N2M, the inverse of 2M from the video processor.

When accessing slow devices (1MHz extension bus, ADC, VIAs, 6845, ACIA, and serial processor) the clock is stretched to give a pseudo 1MHz cycle. The system 1MHz clock, 1E, is generated in half of IC25 from the 1MHz and 2MHz outputs of the video processor. The other half of IC 25 is used to synchronise the transition from 2MHz to 1MHz clocking. Each 1 MHz peripheral select line is connected to an input of NAND gate IC41. If any input of this NAND gate is taken to logic 0 then a 1MHz CPU cycle will occur. For 1MHz cycles phi2 is held at logic 1 until the E signal is synchronised. The cycle ends with both phi2 and 1E falling together.

There are two ways in which the transition from 2MHz to 1MHz takes place depending on which phase E was on when the request was received from IC41, see Figure 4.2.2 (b).

Figure 4.2.2 (b) 2MHz to 1MHz transition



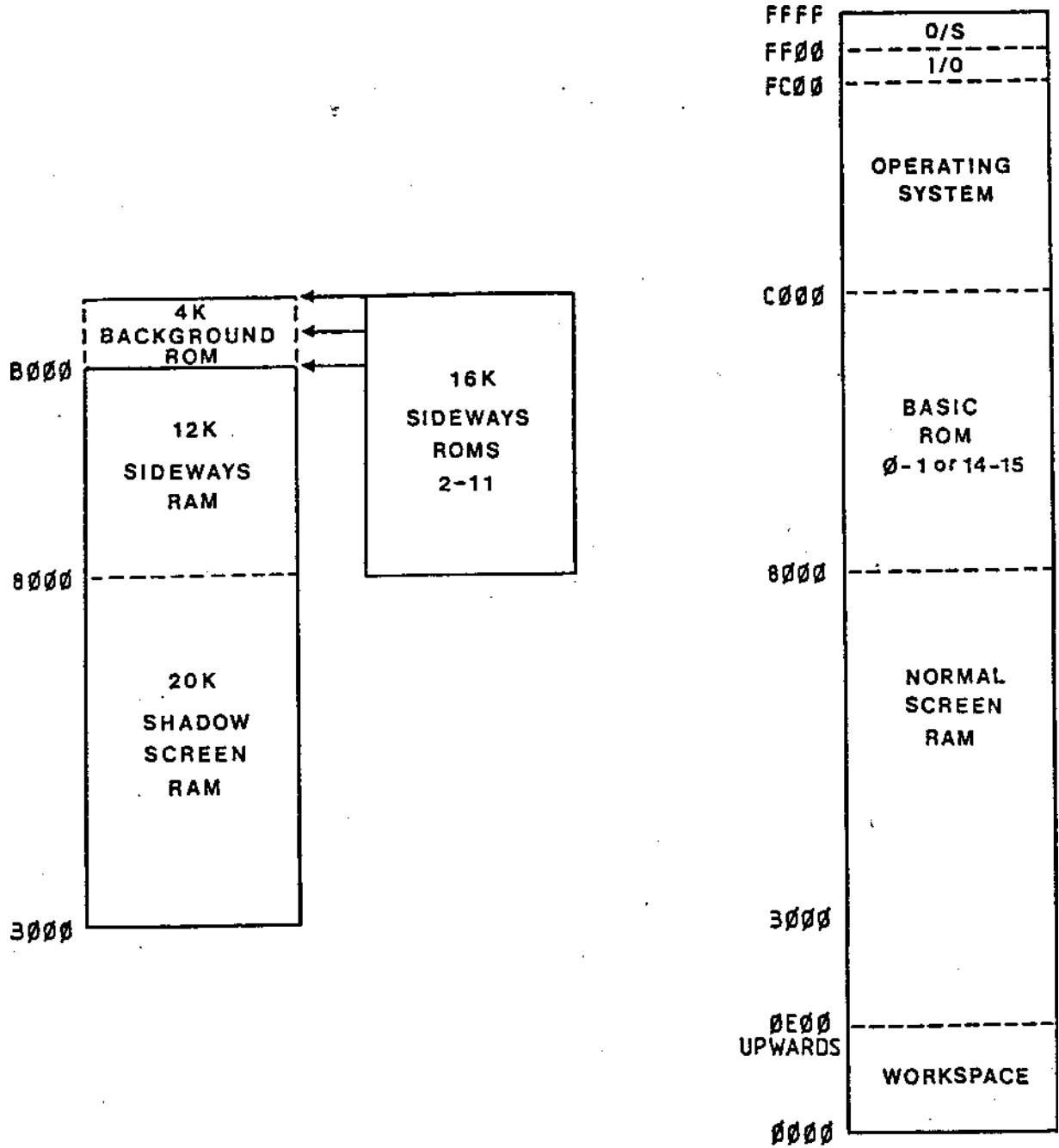
4.2.3 Reset circuitry

The system has two reset circuits, one is a general reset from a 555 timer (IC43), the other is an RC network which just resets the system VIA (IC20) on power-up. This allows the software to detect the difference between a power-on reset and a BREAK key reset. The keyboard BREAK key connects via S10 (a PCB made link) to the 555 timer. The 555 generates reset pulse RS which is inverted to give the CPU NRS signal.

4.2.4 Address decoding and memory

Figure 4.2.4 shows the memory map. At the heart of the memory selection is the programmable array logic (PAL) chip IC36. It selects which screen RAM is in use (normal or shadow); it controls the sideways ROM select latch IC45; it selects the paged RAM.

Figure 4.2.4 I/O Processor Memory map



4.2.5 ROM operation

Any ROM socket on the PCB can either hold an 8K, 16K or 32K BYTE device. 8K or 16K IC's are paged into the memory map from &8000-&9FFF or from &8000-&BFFF respectively, a 32K device provides two 16K banks of memory paged into the memory map from &8000-&BFFF. The extra address line A14 (QA from IC45) required by 32K devices is available to each ROM slot when the appropriate molex link is altered. The ROM socket IC numbers, their corresponding ROM select numbers and their corresponding link numbers are shown in table 1.

IC No	ROM Nos	Link No	Notes
IC35	2/3	S9	Molex link made W as standard for 8K/16K use
IC44	4/5	S11	" " "
IC57	6/7	S12	" " "
IC62	8/9	S15	" " "
IC68	10/11	S18	" " "
IC71	0/1 or 14/15	S19	PCB cuttable link made E as standard for 32K (16K operating system and I/O and 16K BASIC)

Table 1: ROM Sockets

As can be seen from table 1, ROM numbers range from 0 to 15. ROM priority is directly proportional to the socket number it is in. The highest ROM number language and filing system will be selected after a 'hard' reset. 15 has the highest priority, 0 the lowest. So if two or more sideways ROMs are language ROMs, then the computer will start up in the language in the highest number ROM slot. Similarly for filing system ROMS.

IC35, 44, 57, 62, and 68 we shall call "user ROMs". Each user ROM socket is functionally identical and can contain language or service ROMs. IC71 we shall call the "system ROM".

The system ROM contains the operating system. The operating system is always in the memory map from &C000-&FFFF and must always be fitted in IC71. As an option the computer can accept a 32K ROM for IC71 containing the operating system and the BASIC language. In this case link S19 is East in the 32K position.

The BASIC part of the system ROM occupies one of four sideways ROM numbers. As standard, any call made to ROM 14 or 15 selects BASIC, and any call to ROM 0 or 1 is ignored. Hence BASIC occupies the highest priority ROM slot and the computer will start up in BASIC. If molex link S13 is moved from South to North then any call made to ROM 0 or 1 will select BASIC, and any call to ROM 14 or 15 will be ignored. This allows the user to select an alternative language at power-on (the language entered at start-up will be the one with the highest socket number when more than one language ROM is fitted).

Address decoding is carried out by the PAL (IC36) and this then selects either the operating system (if the address is in the range &C000-&FFFF) or the current sideways ROM (if the address is in the range &8000-&BFFF). Part of IC40 disables the ROM output drivers when an I/O address occurs (&F000-&FEFF).

The currently selected ROM number (0-15) is held in the ROM select latch IC45. The ROM select latch is mapped into the memory at address &FE30 via the PAL IC36. When writing to this address, the four data lines DO-D3 provide the ROM number which is latched into IC45, see also 5.4.2.

When the PAL decodes an address from &8000-&BFFF, IC36 pin 18 goes low and enables IC46. IC46 is a three line to eight line decoder which selects the particular IC socket allocated to the ROM number, in IC45. The least significant bit held in IC45 is fed to the relevant ROM socket only if the link for that socket is made E for a 32K device. The correct half of the 32K device is then selected to be placed in the memory map.

4.2.6 Paged RAM operation

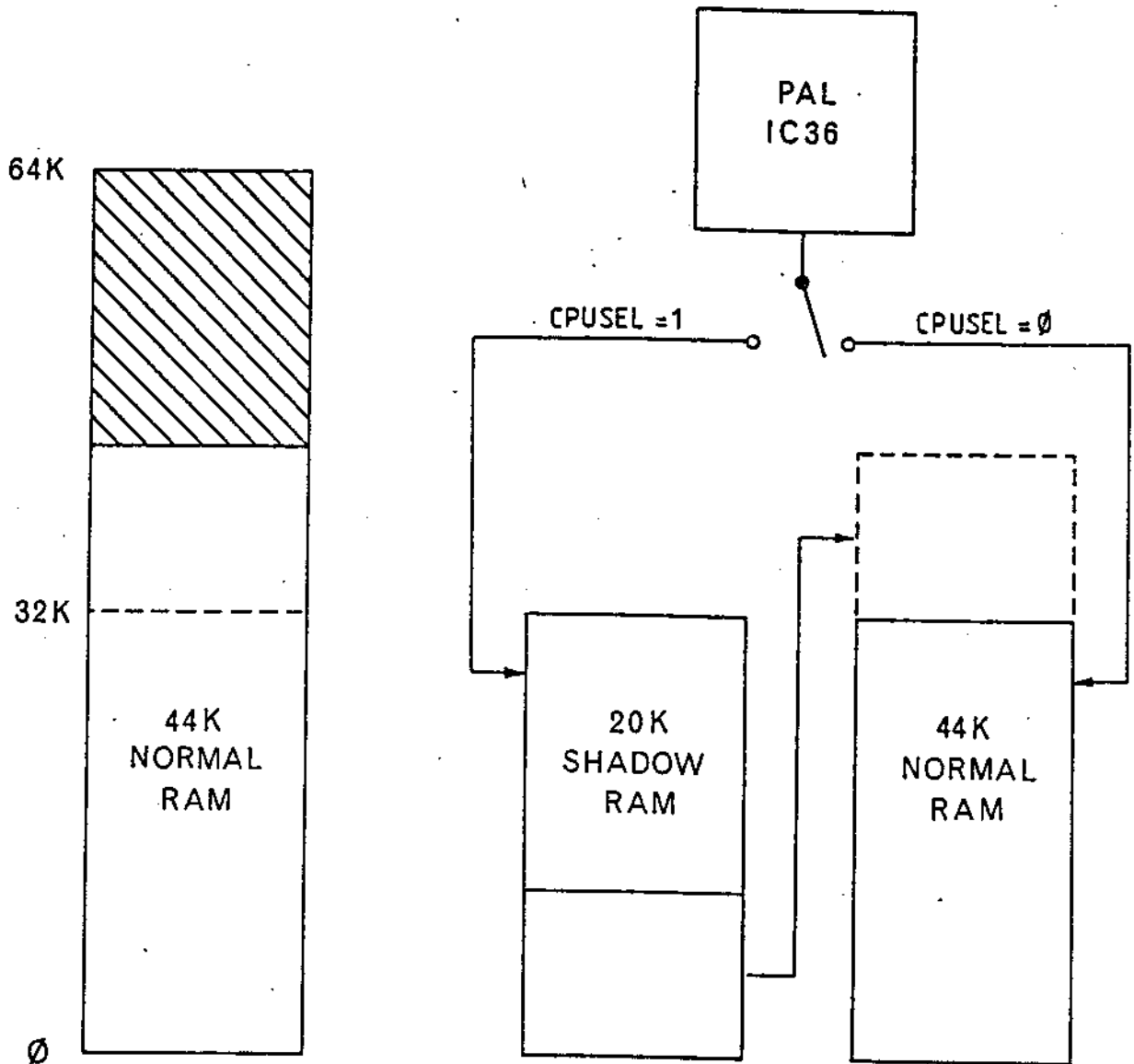
The 12K paged RAM is selected with a ROM number between 128 and 255 (D7 set). The top bit of the data bus D7 is available to the PAL IC36. Writing to the ROM select latch at address &FE30 as described in 5.4.1, will save D7 in the PAL. DO-D3 are stored as normal in IC45. If D7 is set (logic 1) then the PAL selects the 12K paged RAM when the CPU address is in the range &8000 to &AFFF. If the ROM selected by DO-D3 is present then the top 4K of that ROM will also appear in the memory map, above the 12K paged RAM, from &B000-&BFFF. As ROM 0 is not allocated as standard (it is BASIC if S13 is changed), writing 128 to the ROM select latch will merely place the 12K paged RAM into the memory map and &B000-&BFFF will be vacant.

4.2.7 RAM access

There is 64K of installed RAM.

RAM access is dependent on whether the computer is in normal mode or shadow mode, and the differences are shown in Figure 4.2.7.

Figure 4.2.7 RAM access in normal and shadow modes



In normal mode the RAM can be thought of as 44K from address &0000-&AFFF. The top 12K of this RAM from address &8000-&AFFF is paged into the memory map when required in place of the bottom 12K of the sideways ROM space, see 5.4.2. The remaining 20K of RAM is set aside for the shadow screen memory, while it always exists, it is not available to the system in normal mode. The bank of 44K RAM we shall call "normal RAM". In normal mode, VDUSEL (IC36 pin 17) is always zero.

Any code executing anywhere within normal RAM in normal mode will always access normal RAM, it cannot access shadow RAM.

In shadow mode the RAM can be thought of as 44K from address &0000-&AFFF, plus a parallel bank of 20K RAM from address &3000-&7FFF which we shall call "shadow RAM". As in normal mode, the top 12K of normal RAM is paged into the memory when required. In the address range &3000-&7FFF the PAL (IC36) is able to switch between shadow RAM and normal RAM. It selects access to the shadow memory if a) shadow mode is on b) it detects a VDU driver and c) the operand address is between &3000 and &7FFF, the part of the memory map used by the screen. Otherwise it selects access to normal RAM. The machines logic is set to shadow mode when logic 1 is written to D7 at address &FE34, this causes pin 17 (VDUSEL) to go high. &FE34 is the address of a register in the PAL and when D7 is set any screen access through the VDU drivers will cause the PAL to switch in the shadow memory by making pin 12 (CPUSEL) high. In shadow mode, VDUSEL is always set, and CPUSEL is low to access normal RAM and high to access shadow RAM.

When the paged RAM is selected in shadow mode, the top 4K, &A000 to &AFFF, is programmed by the PAL (IC36) to have the attributes of VDU drivers.

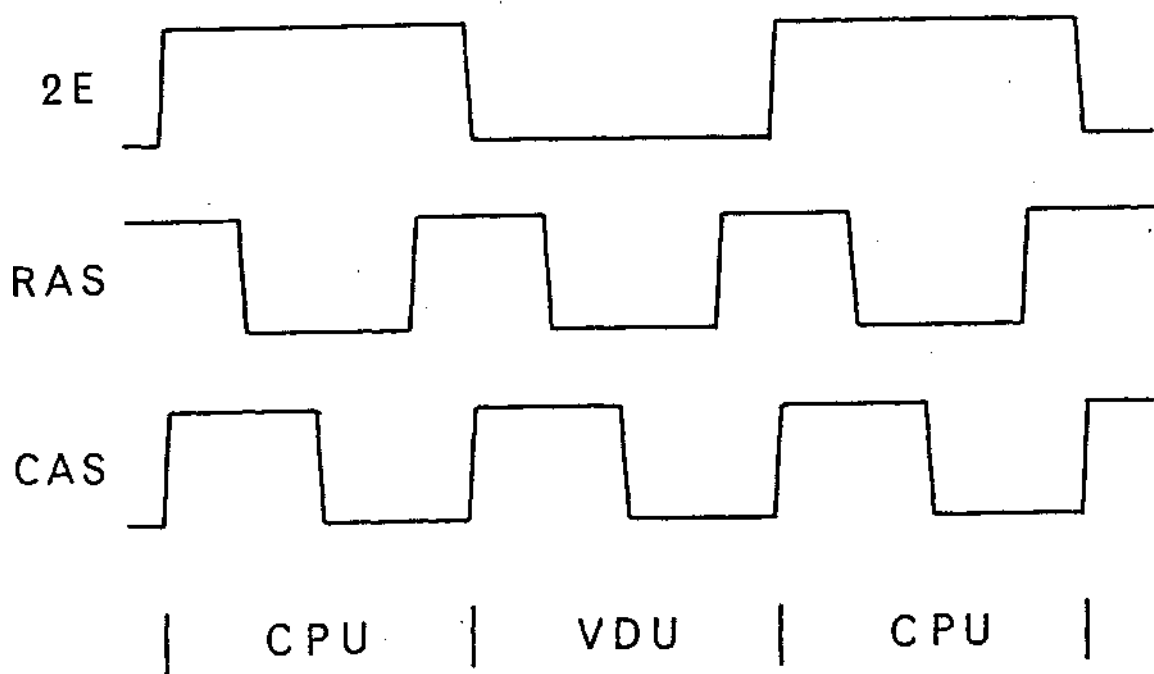
Any code executing between &0000-&9FFF in shadow mode will always access normal RAM.

Any code executing from sideways RAM between &A000-&AFFF will access the shadow RAM (if selected) when the operand address is between &3000-&7FFF. This special attribute is not available to any other sideways memory, ROM or RAM.

RAM circuitry

The 64K installed RAM is provided by eight 64K by 1 dynamic memory devices ICs 55, 56, 60, 61, 64, 65, 66, and 67. Figure 4.2.8 shows the RAM timing diagram.

Figure 4.2.8 RAM timing diagram



The RAM control circuit is designed to work with either 128 or 256 refresh cycle DRAMs, refresh being provided by the 6845 CRTC (IC78) in conjunction with two ex-OR gates of IC63 and an AND gate of IC34.

The RAM is accessed at 4MHz, the CPU and VDU each having 2MHz access.

The address multiplexers for the VDU cycle are ICs 72, 73, 74, and 75. Various combinations of the inputs of these ICs are used depending on the screen mode in use. In particular, TELETXT mode 7, with its own character generator (IC59) is markedly different from the other seven bit-mapped modes 0-6.

The address multiplexers for the CPU cycle are ICs 50 and 51.

RAM is working (being addressed and strobed) the whole time, both during CPU and VDU phases, even when not required (except for the purpose of refresh). But data to or from the RAM is only available to the CPU, when the data buffer IC49 is enabled. This occurs when any input to the NAND gate in half of IC40 goes low, that is when A15 is low (address between &0000- &/1-1+) or if the paged RAM signal from IC36 is low (address between &8000- &AFFF and paged RAM selected), or if the video processor (VIDPROC) is enabled (address &FE20). RAM is disabled when the VIDPROC is written to, by holding NCAS at logic 1 (see IC23).

4.2.8 Disc interface

A 1770 operates in either Frequency Modulation (FM) or Modified Frequency Modulation (MFM) mode. Since MFM results in increased storage density FM is referred to as "single" density and MFM as "double" density. The 1770 has a data separator and disc speed decision logic built in. No drive select logic is incorporated in a 1770 so IC17 is fitted for this function. IC17 also latches two control signals which are used to select between FM and MFM operation and to reset the 1770, both under

program control.

The control register IC17 is a write only device which occupies the address space &FE80 to &FE83. IC23 gates the decoded address signal with NW (IC27 pin 6) to form the control register clock. All 1770 registers are addressed in the range &FE84 to &FE87.

Two interrupt signals come from a 1770, pins 27 and 28. The two interrupts are inverted and wire NORed on to the NNMI line by two parts of IC7 (quad NAND gate). Link S8 selects between the single interrupt of an 8271 and dual interrupt of a 1770. When a 1770 is fitted S8 must be made. For the 1770 option link S7 is made East, this incorporates N2M into the chip select signals and so defines the timing of data transfers between the disc controller and the CPU. Link S5 is available to allow program controlled suppression of 1770 disc controller interrupts (IC17 is not present when the 8271 is fitted). The disable function is not used at present so S5 is not fitted.

4.2.9 Display circuitry

Red, green and blue signals are produced by the video processor and are then buffered by Q1, Q2, and Q3 to be fed to the DIN socket (SK3) at TTL type levels. The fourth signal required at the RGB output is a composite SYNC (CSYNC) generated from horizontal sync and vertical sync of the 6845. CSYNC polarity can be altered using link S27. The 0V and +5V power supply also appears on SK3.

4.2.10 CENTRONICS compatible printer interface

The computer can drive a centronics compatible printer through IC10, a 6522 VIA. Port A of the VIA is configured as an 8-bit output port which is buffered by IC5 and fed to PL9. Printer strobe pulses are generated by a program sequence which toggles CA2 (IC10 pin 39) high-low-high. Strobe pulses are typically 4 μ s wide. ACK from the printer is connected to CA1 (IC10 pin 40). ACK is pulsed low for approximately 5 μ s by the printer when it is ready for the next character/byte transfer.

A 24-way 'Delta' or IEEE 488 style connector is provided. The connections are shown in Table 2 together with those of the standard 36-way connector with which printers are usually provided.

Signal	Connector Pin		
	I/O PCB 26-way	Rear Pnl 24-way	Printer 36-way
strobe	1	1	1
Data 0	3	2	2
Data 1	5	3	3
Data 2	7	4	4
Data 3	9	5	5
Data 4	11	6	6
Data 5	13	7	7
Data 6	15	8	8
Data 7	17	9	9
Acknowledge	19	10	10
No connection	21,23,25,26	11,12	11 to 17
Ground	2,4,6...,24	13 to 24	18 to 29

Table 2: Connections for ACW Parallel Printer Port

The connections are arranged so that insulation displacement connectors may be used to make a connecting cable; in this case it is recommended that 'flat and twisted' cable be used. With conventional solderable connectors a twisted pair should be used for each signal, with a ground connection at both ends.

4.2.11 User port

Port B of IC10 offers eight individually programmable input/output lines, and two programmable control lines. The connector pins go directly to a 6522 Versatile Interface Adaptor (VIA). The VIA contains two fully programmable bi-directional 8-bit I/O ports.

The ACW uses a 25-way 'D-type' connector, see Table 3 for the rear panel connections. Also shown in the table is the pin-out of the 42 way IDC connector on the I/O Processor.

Rear Pnl	I/O PCB	Signal	Rear Pnl	I/O PCB	Signal
25-way IDC	function	25-way IDC	function	function	
1	1	+5V	14	2	CB1
2	3	+5V	15	4	CB2
3	5	0V	16	6	PB0
4	7	0V	17	8	PB1
5	9	0V	18	10	PB2
6	11	0V	19	12	PB3
7	13	0V	20	14	PB4
8	15	0V	21	16	PB5
9	17	0V	22	18	PB6
10	19	0V	23	20	PB7
11	21	N/C	24	22	N/C
12	23	N/C	25	24	N/C
13		N/C			

Table 3: Connector Pin Assignments - User Port

The VIA is memory mapped at locations 16_FE40 to 16_FE6F. The method of programming the function of the VIA is described in the 6522 Data Sheet; this information is reproduced in Chapter 22 of the *Advanced User Guide for the BBC Micro*.

4.2.12 1MHz extension bus

This is an extension of the bus signals of the 6512 Input/Output processor.

The 1MHz bus is a fully buffered interface to the CPU via PL11, which operates with 1 us transfer cycles. IC12 (bidirectional buffer) is enabled when either FRED or JIM is accessed (pages &FC and &FD). These two pages are decoded by IC22 and IC28, with signals NFRED and NJIM appearing on pins 4 and 5 respectively of IC28. When either NFRED or NJIM goes low, the 1MHz bus enable goes low (IC34 pin11), and takes low an input of the NAND gate IC41 thus causing a 1MHz CPU cycle.

NotFRED (IC28 pin 4) and NJIM (IC28 pin 5), along with R/NW (IC24 pin 10) and 1MHz bus enable (IC34 pin 11) are synchronised to the 1MHz system clock (1M) by latching them in IC32. This ensures that no glitches occur on the 1MHz bus interface.

External Connections

Devices connected to the bus are accessed by the I/O processor as part of its memory space, that is, they are 'memory mapped'. The bus contains the least significant 8-bits of the address bus and two signals decoded from the high order 8-bits of the address. These are labelled NFC and NFD, and are 'active low'. These signals are decoded from high address bytes 16_FC and 16_FD.

Rear Pnl		I/O PCB	Signal	Rear Pnl I/O PCB Signal	
37-way IDC		function	37-way IDC	function	
1	1	0V	20	2	R/NW
2	3	0V	21	4	1MHzE
3	5	0V	22	6	NNMI
4	7	0V	23	8	NIRQ
5	9	0V	24	10	NPGFC
6	11	0V	25	12	NPGFD
7	13	0V	26	14	NRST
8	15	0V	27	16	Analog Input
9	17	0V	28	18	D0
10	19	D1	29	20	D2
11	21	D3	30	22	D4
12	23	D5	31	24	D6
13	25	D7	32	26	0V
14	27	A0	33	28	A1
15	29	A2	34	30	A3
16	31	A4	35	32	A5
17	33	A6	36	34	A7
18	35	N/C	37	36	N/C
19	37	N/C			

N/C = No connection

Table 4: Connections for 1 MHz Bus

The bus connections are shown in Table 4. For a detailed description reference should be made to the 1 MHz Bus Application Note Acorn No. 0407,000 available from the Customer Services Dept. Acorn Computers.

On the ACW a 37-way 'D' type connector is used.

The signals are buffered by LSTTL devices.

Software Interface

The bus may be accessed by OSBYTE calls, as in the table below:

	Read	Write
Assert 16_FC	OSBYTE 146	OSBYTE 147
Assert 16_FD	OSBYTE 148	OSBYTE 149

Param1 holds the address offset. For reading, *Result1* is the data byte taken from the bus; for writing, *Param2* is the data byte to be written.

Some system peripherals are connected to the 1 MHz bus, and are assigned parts of the address space as shown in Table 5.

16_FC00 to 16_FC0F	Test hardware
16_FC10 to 16_FC13	Teletext interface
16_FC14 to 16_FC1F	Prestel interface
16_FC20 to 16_FC27	IEEE 488 interface
16_FC28 to 16_FC2F	Reserved for use by Acorn
16_FC30 to 16_FC3F	Cambridge ring interface
16_FC40 to 16_FC47	Winchester disc interface
16_FC48 to 16_FC7F	Reserved for use by Acorn
16_FC80 to 16_FC8F	Test hardware
16_FC90 to 16_FCBF	Reserved for use by Acorn
16_FCC0 to 16_FCFE	Available for user applications
16_FCFE	Paging register for memory expansion
16_FD00 to 16_FD7F	Reserved for use by Acorn
16_FD80 to 16_FDFE	Available for user applications.

Table 5: 1MHz Bus Address Assignments

4.2.13 TUBE interface

The TUBE interface connects to the 32016 second processor via PL12. The signals present are the eight data lines, five address lines A0 to A4, R/NW, 2E, NRS and N1RQ. The data lines are buffered by 1C14, and the address lines, R/NW and 2E are buffered by 1C13. The data buffer IC14 is enabled when a TUBE address (&FEE0-&FEFF) is decoded by 1C21, this enable signal (NTUBE) being fed also to the TUBE connector, PL12.

R11 is fitted so the computer OS can detect when there is no second processor present (or powered on).

4.2.14 ECONET

ECONET is based around the 68B54 (IC81) advanced data link controller. IC81 performs the conversions between serial and parallel data, and generates the interrupt requests which are connected to NMI. Each byte transfer between network and CPU is requested by an NMI. Interrupts can be disabled by making pin 4 1C23 low thereby setting the D-type (half of 1C69), which is achieved by a read of &FE18. Reading this address returns the station ID number which is set up on the links S23. Interrupts are enabled when pin 2 1C69 goes low (a read of &FE20), which, when clocked by N2E, resets the D-type.

Transmit data from the 68B54 is fed to a differential line driver circuit IC91, and then through SK7 on to the twisted pair network cable. The differential drive voltages are, typically, 0.25V and 3V. A monostable (half of IC88) is used to time-out the ECONET line driver by taking pin 9 IC91 low after approximately 4.5s (longer than the time required to transmit a maximum length data packet). This is designed to prevent a single computer holding its driver on and thereby bringing the whole network down.

Receive data is decoded by a comparator circuit 1C92 and fed into the 68B54. 1C93, collision detect circuitry is not fitted. Before transmission, the line is sampled to see if it is in use. If it is, the transmission is held up until a certain time after the line is first free again. This time is dependent on the station ID and so will be different for every station on the line. When required collision detect may be installed by fitting components as shown on the circuit diagram, and breaking the link S29, a PCB copper link.

4.2.15 Cassette and RS423 ports

For both the cassette (SK5) and RS423 (SK4) interfaces, a 6850 asynchronous communications interface adaptor (AC1A) 1C82 is used to buffer and serialise or deserialise the data. The serial processor 1C85 contains two programmable baud rate generators, a cassette data/clock separator, switching to select either RS423 or cassette operations, and also a circuit to synthesise a sinewave to be fed out to the cassette recorder.

Note that the receive bit rate for cassette operations is derived from the FSK signal not from the serial processor control register bits used when RS423 operation is selected.

1C18 divides the 16MHz clock signal by 13 (1.23 MHz) and this signal is divided further within the serial processor to produce the synthesised 2400/1200Hz cassette record signal, and the bit rate clocks. Automatic motor control of an audio cassette recorder is achieved by using a small relay driven by transistor Q7 from the serial processor.

R66 and C30 provide the necessary timing elements for delay between receiving the high tone run-in signal and asserting the data carrier detect signal to the 6850.

The signal coming from the cassette recorder is buffered, filtered and shaped by three stages of the LM324 amplifier IC89.

The RS423 data in and data out signals and the request to send output RTS and clear to send input CTS signals are interfaced by ICs 94 and 95 which translate between TTL and standard RS423 signal

levels +5V and -5V.

RS423 signals are compatible with the RS232 signals common in computer related equipment.

Selection of the cassette or RS423 for input and output is by bit 6 of the serial processor control register, bit 7 is for cassette motor control. Bits 0 to 2 control the transmit bit rate, while bits 3 to 5 set the RS423 receive bit rate.

External Connections

Table 6 shows how the ACW should be connected to the 25-way D-type connector with which most serial interfaces are provided. The ACW is classed as Digital Computer Equipment (DCE) so can easily be connected to, for example plotters which are usually classed as Digital Terminal Equipment (DTE). Connection to other DCE classed systems, such as a second ACW or main-frame computer, will require a "crossed" cable. The standard is open to interpretation so some experimenting may be required to find the correct connections.

ACW 5-pin Domino Din		Canon 25-way connector	
<i>Function</i>	<i>Pin</i>	<i>Function</i>	<i>Pin</i>
Data in	A/1 connect to	Transmitted data	2
Data out	B/2 connect to	Received data	3
CTS	D/4 connect to	Request to send	4
RTS	E/5 connect to	Clear to send	5
GND (OV)	Ca connect to	Signal ground	7

Table 6: Connections for RS423 ACW to DTE

The signal levels conform to the specifications of the Electronic Industries Association standard RS422A and RS423A. The protocol used by the ACW is as follows:

- (a) The I/O Processor will transmit while CTS is asserted.
- (b) The I/O Processor will assert RTS when it is ready to receive.

Serial printers

For driving printers the connections shown in Table 7 should be made:

RS423 connector		printer 25-way connector	
<i>Function</i>	<i>Pin</i>	<i>Function</i>	<i>Pin</i>
data out	B/2	to Receive data	3
CTS	D/4	to data terminal ready	20
		OR request to send	4
ground	C/3	to signal ground	7

Table 7: Serial Printer Connections

Software Interface

The Panos *configure* utility may be used to select the parallel or the serial port, and to set the baud rate and other parameters for the serial port.

Note that unless *configure* is run when Panos is installed, or re-installed, attempts to print to other than a parallel printer will fail.

The network printer, or a 'user supplied' printer interface, may also be selected. The procedure for using a printer which does not conform to the standard parallel or serial interface is described in Section 10.6 of the *Advanced User Guide for the BBC Micro* (the user print vector).

4.2.16 Analogue to digital convertor

The A to D circuit is based on a uPD7002 1C84, which can accept upto four analogue inputs, from SK6. The voltage reference is set by three silicon diodes, D9, D10, and D11, which gives a typical full scale voltage of 1.8V. When a conversion is complete, the CPU is interrupted via CB1 of the 6522 (IC20 pin 18) which generates an IRQ (IC20 pin 21).

External Connections

The connections are shown in Table 8. See the technical description and circuit diagram in the appropriate user guide or service manual.

Pin	Function	Pin	Function
1	+5v	9	LPSTB
2	0V	10	PBI
3	0V	11	VREF
4	CH3	12	CH2
5	Analogue Gnd	13	PBO
6	0V	14	VREF
7	CH1	15	CH0
8	Analogue Gnd		

Table 8: Connections for Analogue Port

Note that the input voltages should be within the range 0V to +1.8V; voltages outside this range may

cause damage to the ADC. Although an internal reference voltage is provided, for the greatest accuracy an external temperature compensated reference should be used. If the full 12-bit accuracy is required, great care must be taken with screening the leads and securing analogue ground connections. For further details of the ADC, refer to the manufacturer's data sheet.

Transduction factor

The digital output varies from 0 to 65520 in steps of 16, to correspond to voltages between 0V and +1.8V.

Conversion time:

10 milliseconds per channel.

Associated digital inputs:

The digital inputs may be used to interface to a switch, to ground, or to a TTL signal.

Software Interface

BASIC:

the *ADVAL* ('analogue to digital conversion value') function is provided.

PANOS:

OSBYTE 16 selects the number of active channels.

- Param1=0 will disable all channels
- Param1=1 will enable channel 1 only
- Param1=2 will enable channels 1 and 2
- Param1=3 will enable channels 1,2 and 3
- Param1=4 will enable all four channels

The converter repeatedly cycles through the selected channels, converting each in turn. It stores the last value obtained from each channel.

OSBYTE 17 will override this free-running mode, forcing the ADC to start a conversion on the channel indicated by the value in *Param1*.

OSBYTE 128 can be used to read a particular ADC channel, or to discover which channel last completed a conversion operation. It also reads the digital inputs. *Param1* selects the number of the channel to be read. The value is returned in two bytes: the most significant is in *Result1*, the least significant is in *Result2*.

If *Param1* is zero then *Result2* will contain the number of the last channel to have had a conversion completed. If no channels have completed a conversion since an OSBYTE 16 or OSBYTE 17 call, then zero will be returned. The two least significant bits of *Result1* record the status of the digital inputs.

Completion of conversion can be notified by causing an interrupt (asynchronous event number 3). The Panos library procedures may be used both to enable and to handle this event.

4.2.17 Audio circuitry

IC38 is a four-channel sound generator which can be programmed to vary the frequency and volume of three independent tone generators and the amplitude of a single noise generator. The sound signal is DC "restored" by mixing in a signal derived from the sound envelope. An inverting peak detector (IC47 D4 C15 etc.) derives the inverted sound envelope which is then summed with the sound signal in the ratio of 2:1. Part of IC47 forms a virtual earth summing amplifier which mixes the sound, its envelope, the external audio input and an optional speech signal into one audio channel. The audio is then filtered through a second order low pass filter (approximately 7kHz bandwidth) and applied to

the volume control before final amplification by IC77 an LM386. IC77 drives the internal 8 ohm speaker via S20.

The audio output of the optional speech system is filtered by an operational amplifier second order filter (cut-off frequency of 7kHz) before mixing in with the other audio signals. Speech is generated by an optional TMS5220 with TMS6100 (or equivalent) vocabulary "PHROM" (IC numbers 29 and 37 respectively).

4.2.18 Keyboard

The keyboard circuit is given in the Appendix. The keyboard connects to the main PCB via PL13.

A 1MHz clock signal 1E is fed via an 74LS245 (IC3) buffer to a 74LS163 (IC1) binary counter, the outputs of which are decoded by two 74LS 138 (IC5 main keyboard and 106 numeric keypad) decoder drivers. These outputs drive the columns of the keyboard matrix, each column being driven in turn. If any key is depressed, an 8 input NAND (IC4 on keyboard) will produce an output when that column is strobed and this will interrupt the CPU through line CA2, pin 39 of IC20 on the main computer board. The interrupt tells the computer to enter the key reading software. In order to discover which key was pressed, the CPU loads directly into the 74LS163 (IC1) the address of a key matrix column, allowing it to interrogate each column in turn. Also, the CPU drives the 74LS251 data selector (IC2) with the row of a single key on the selected column. In this way, the processor can interrogate each individual key in turn until it discovers which one was depressed and caused the interrupt. Once read, the keyboard assumes its free running mode.

The TUBE switch either permanently resets the TUBE (32016 OFF) or connects it to the I/O processor reset line (32016 ON).

The Pull-up resistor (Possibly R16 depending on the PCB issue number) connected to one side of the break key and pin 2 of the keyboard cable (NRST) should NOT be fitted, if the I/O processor does not come out of reset on first switching on the machine.

4.3 Internal Clock and Timer

The I/O Processor contains both an internal clock and an internal timer which measures time in units of 0.01 seconds (centi-seconds). The clock and timer run continuously while the ACW is powered on; a hard reset, i.e. CTRL (BREAK), or mains power switch will reset the clock and times to zero. Both the clock and the timer values are held as binary numbers in five consecutive bytes, giving a range of approximately 1012.

The clock may be accessed as follows:

PANOS: *set* and *show* utilities are used to set and read the clock. After a hard reset, the clock is in an unset state. Programs running under Panos may use various Panos library functions.

BASIC: TIME is a pseudo-variable which sets or reads the lower four bytes of the internal clock.

LISP: The function (timeofday) returns a string giving the time of day; (date) returns a string giving the date.

The timer may be accessed by programs running under Panos as follows:

OSWORD 4 sets the timer to the value in the five byte parameter block. The timer counts upwards and can initiate an interrupt (i.e., asynchronous event 5) when it reaches zero. Programs running under Panos can respond to this event. For BASIC, *FX14,5 and *FX13,5 enable and disable this event respectively.

4.4 Upgrading the PCB

4.4.1 Inserting or changing ROMs

Refer to the I/O Processor PCB overlay in the Appendix.

The six I/O Processor ROMs are located in the top lefthand corner / North West as part of a group of eight 28 way I.C. sockets. The sockets bear the numbers IC29, IC37, IC35, IC44, IC57, IC62, IC68 and IC71.

THE OPERATING SYSTEM ROM CAN ONLY WORK IN IC 71 SOCKET

TWO SEPARATE SOCKETS IC 29 AND 37 ARE FOR SPEECH UPGRADE ROMS ONLY See next subsection.

ROM selection: Each of the six sockets can hold either a 8Kbyte(64Kbit), 16Kbyte(128Kbit) or a 32Kbyte(256Kbit) ROM. The correct size for each individual socket is selected by the row of Molex links near the board edge. A link made between the centre and West pin will access 8k or 16Kbyte devices ONLY whilst the link made to the East will give 8K,16K or 32Kbyte ROMS.

The operating system sees the ROM's as a maximum size of 16Kbyte so that when selected as a 32Kbyte size socket the operating system will access the BOTTOM 16Kbyte as one ROM and the TOP as another separate 16Kbyte ROM. The bottom ROM has the highest priority. This means that each socket can represent TWO ROMS. The O.S. can deal with 15 ROM's with number 15 having the highest priority.

If a 256Kbit ROM is fitted but the corresponding Molex link is set WEST the OS will see it as a 128Kbit device and access only the ****TOP**** ROM ie the part having the ****LOWER**** ROM number.

I.C. No.	Bottom /	Top ROM	Link No.	Comments.
1C35	3	2	S9	Molex West for 8K/16Kbyte
1C44	5	4	S11	Molex West for 8K/16Kbyte
1057	7	6	S12	Molex West for 8K/16Kbyte
1062	9	8	S15	Molex West for 8K/16Kbyte
1068	11	10	S18	Molex West for 8K/16Kbyte

System ROM:

1C71	a. 15	14	S13	Molex South (S19 EAST)
	or b. 1	0	S13	Molex North (S19 EAST)

Table 9: ROM Sockets

The machine operating system is a 16Kbyte (128Kbit) program which can be supplied in either a 128 or 256Kbit EPROM / ROM.

If a 256Kbit device is used then the other half of the ROM will be the User Language/Filing system that will be selected at switch on or (CTRL) (BREAK)

To allow another ROM to be selected at switch on a second Molex switch S13 is also tested. If S13 is North the co-habiting User ROM of IC71 is reduced to the lowest ROM priority. The operating system is not affected.

4.4.2 Speech

This section gives instructions for adding extra hardware to upgrade the PCB for speech. IC 29 and 37 are for speech upgrade ONLY. Dealers and service centres performing these upgrades must also conform to upgrade procedures and requirements as notified by their supplier, and should refer to any available information updates for latest details.

All ICs are inserted with their pin 1 facing the back of the computer.

The following parts are required:

1C29	5220
1C37	6100 PHROM

Insert 1C29 and 1C37 into their sockets on the PCB.

Turn the computer on and type:

```
REPEAT SOUND-1,GET,0,0:UNTIL0
```

and press the RETURN key.

Any key now pressed should cause the system to utter a word or sound.

Adjust VR1 until the speech is at the correct pitch. This can be measured by connecting a frequency meter to pin 3 IC29. Adjust VR I until the meter reads 160kHz +/-100Hz.

4.5 Selection links

This section describes the function of each of the links on the PCB, the type of link, and its position as standard.

S1 PCB track, made West: West for 5 1/4" disc drive, East for 8".

S2 PCB track, made North: North for 5 1/4" disc drive, South for 8".

S3 PCB track, made South: South for 5 1/4" disc drive, North for 8".

S4 PCB track, made South: South for 5 1/4" disc drive, North for 8".

S5 wire link, not fitted: allows disc filing system to disable NMI. This feature is not supported by current disc software.

S6 PCB track, made South: South for 5 1/4" disc drive, North for 8".

S7 plug, made East: East for 1770 floppy disc controller, West for 8271.

S8 plug, fitted: fitted for 1770 floppy disc controller, removed for 8271.

S9 plug, made West: West for 8K/16K ROM/EPROM in IC35, East for 32K ROM/EPROM in IC35.

S10 PCB track, made East: East enables keyboard BREAK key, West forces permanent reset, broken (neither East nor West) disables BREAK key.

S11 plug, made West: West for 8K/16K ROM/EPROM in IC44, East for 32K ROM/EPROM in IC44.

S12 plug, made West: West for 8K/16K ROM/EPROM in IC57, East for 32K ROM/EPROM in IC57.

S13 plug, made South: South causes BASIC to take high priority ROM numbers 14/15, North causes BASIC to take low priority ROM numbers 0/1.

S 14 plug, made North: North gives white on black video, South gives black on white video. Beware monitor performance in the latter configuration.

S15 plug, made West: West for 8K/16K ROM/EPROM in IC62, East for 32K ROM/EPROM in IC62.

S16 - test link not present on issue 2 or later PCB.

S17 PCB track, made North: North configures 1MHz bus audio for input, South for output.

S18 plug, made West: West for 8K/16K ROM/EPROM in IC68, East for 32K ROM/EPROM in IC68.

S19 PCB track, made East: East enables BASIC part of OS/BASIC, West disables BASIC and leaves just the operating system.

S20 plug, made South: South gives full volume on audio. Remove if VR2 fitted.

S21 - optional audio output prior to volume control.

S22 -

S23 eight plugs, seven shunts: ECONET ID number set up as binary number by user. Only fitted if ECONET interface fitted.

S24 wire link, not fitted: optional termination resistor for RS423. Should not be fitted for correct operation of RS423.

S25 wire link, not fitted: optional termination resistor for RS423. Should not be fitted for correct operation of RS423.

S26 wire link, not fitted: made adds chrominance component to composite video output.

S27 plug, made South: South gives negative-going CSYNC for RGB, North gives positive-going CSYNC.

S28 PCB track, made North: North for PAL video circuitry, South for NTSC. Note: for NTSC operation R92 must be cut out. The modulator may need changing for TVs which cannot receive channel 36.

S29 PCB track, made: made for operating ECONET without collision detect hardware. Collisions are detected by software protocols.

S30 PCB link, made: always made for 6512 CPU.

4.6 Test equipment

A PORT tester is available for the microcomputer. It will check the DRAMs, and all the I/O ports on the microcomputer disc, printer, user, 1MHz bus, TUBE, video, ROB, RS423, cassette, A to D, and ECONET. To use this tester, the microcomputer must at least have the CPU running and the MOS/BASIC ROM working and some of the RAM working.

Full operating instructions are supplied with the equipment.

4.7 Fault finding

This section goes step by step through fault finding in each section of hardware. It should be studied in conjunction with the circuit diagram and block diagram in the Appendix.

4.7.1 Visual Check

First perform a visual inspection of the printed circuit board, check that all external connections (TUBE ribbon cable and the power leads) are secure and in good condition. Check that no foreign objects (washers etc.) have found their way onto the board. Also check that the EPROMs and Molex links are inserted correctly.

Check specifically that:

- (1) There are no loose connectors and broken cables.
- (2) There are no broken or shorting tracks.
- (3) The ICs plugged into their sockets correctly.
- (4) The power supply is working and reaching the components concerned
- (5) All digital signals are at clean TTL logic levels (greater than 2.4V for 1, less than .5V for 0). On timed signals this must be true for the period 150ns before phi2 on read cycles and 300ns before phi2 on write cycles.

The following items of test equipment are required for fault finding:

- (1) PORT tester
- (2) 10A Multimeter
- (3) logic probe
- (4) 20MHz dual beam oscilloscope
- (5) composite monitor, colour monitor
- (6) cassette player
- (7) disc drive
- (8) frequency counter

4.7.2 Switch on

Connect the mains supply and switch on. Use the TUBE switch to turn off the 32016 processor. One of the following will happen.

Situation (a)

There is noise on the monitor screen (no signal from computer). There is no power-on beep sound (there may be a continuous noise), and the keyboard LEDs do not light, or light incorrectly.

Results: either power supply is dead, or there is a fault in the heart of the microcomputer.

Follow the sequence of checks shown below.

- (1) If there is no noise on power-up, and no LEDs light up then check the power supply.
- (2) If a PET tester is available then use it. The PET tester will work on the 6512A processor board providing the CPU is running and it can access the ROM, although it may give strange screen output, and some of the tests will fail. Please refer to the information manual supplied to dealers for details of the operation of the PET tester when used with the 6512A. If PET will not work at all then either the CPU isn't running or it cannot access the ROM.
- (3) Check HS and VS signals (pin 39 and pin 40 IC78) using an oscilloscope. HS and VS should be clean TTL voltage levels, HS pulsing every 64 us and VS pulsing every 20ms.

Results: if they are stuck or floating then carry on with the checks below. If they are working then the CPU must have programmed the 6845 and so must have gained access to the OS ROM. Check using PET (see information manual supplied to dealers). If the signals are there

but are not pulsing at the correct intervals then look for a data line fault to CRTC.

- (4) Check that the NRS pin of the CPU (pin 40 IC42) is high when the computer is switched on. It should pulse low on power-up and when the BREAK key is pressed. If it is stuck low then look for shorts or damaged components around the 555.
- (5) Check that there is activity on the SYNC (pin 7 IC42) and the R/NW (pin 34 IC42) lines of the CPU. If SYNC is stuck then the CPU has stalled, and R/NW won't be working anyway. Check for address and data bus short or open circuit, or a complete failure to select the OS ROM.
- (6) Check the CPU clocks. Phi and phi2 should be as shown in figure 1. If not then check the 2M circuitry from the video processor IC53. IC33 pin 3 should be low. If not then check SYNC 1M at pin 8 IC41 which should also be low. If SYNC 1M is high then check IC25. If SYNC 1M is stuck high then find which one of the inputs to IC41 is stuck low. The 1MHz device attached to this input must be checked.
- (7) Check activity on the CPU address lines. If after a BREAK the activity starts and then stops, this suggests that the CPU cannot read the OS ROM. Check the OS ROM by replacing it with a known good one. Check that it is enabled and that all address lines are present. Check following BREAK that NOE pulses low at 2MHz (inverse of phi2), and NCS goes low and stays low for a time.
- (8) Check all clocks from video processor 8M 4M 2M 1M.
- (9) After BREAK check CRTC NCS pin pulses low (pin 25 IC78).
- (10) If all the above checks pass then the machine should do more than exhibit the symptoms stated in situation (a).

Situation (b)

The screen synchronises (no noise) but there is only a flashing cursor in the top left corner.

Results: usually caused by a keyboard fault.

Check that the keyboard is connected correctly.

Situation (c)

The banner message appears, but is incorrect or incomplete.

The correct banner message after (CTRL) (BREAK) is:

```
Cambridge Workstation
Acorn ADFS
>
```

The correct banner message after (CTRL) D (BREAK) is:

```
Cambridge Workstation
ACW DFS
>
```

Results: the CPU is running and is accessing the OS. Use a PET tester if available (see information manual supplied to dealers). If the banner message is fragmented then check the CRTC address lines for shorts. If the message gives the prompt

Chapter 4

Language?

where BASIC is fitted in the example above check S13 and also check the Pg latch.

Situation (d)

The machine does a start-up beep, and the caps lock LED comes on, but there is no display.

Results: the video circuitry is faulty.

Situation (e) There is no fault on power-up.

Results: most I/O faults will not stop the computer and display from working. Use a PORT tester to find out which I/O circuit is faulty.

4.7.3 Power supply

With the power supply turned off, unplug the three red +5V leads and the single purple -5V lead from the PCB.

Set the multimeter to a 10A DC scale and connect it between one of the connectors on the PCB marked VCC (+5V) and all three red wires together. Turn on the power supply just long enough to measure the current (any length of time may heat up the PCB tracks excessively in the event of a fault). The board should draw from 1.5 to 2.2A, depending on its upgrade state.

Repeat the test for each of the three +5V connectors on the PCB in turn.

Results: if the current at any one connector is zero or very low then look for a fault in the loom, a faulty connector, or broken PCB track. If all results are zero then there is either a short circuit and the power supply has cut out (likely) or the whole power network has gone open circuit (unlikely). This can be checked by measuring the +5V voltage across the board. Zero voltage means short circuit, +5V means open circuit.

Replace all the power supply leads in their correct positions, red to VCC, black to 0V, and the purple lead to -5V.

As a final check, measure the voltage across the power supply pins of a few ICs around the board and check that it is 5v \pm 5%.

4.7.4 Oscillator and divider circuitry

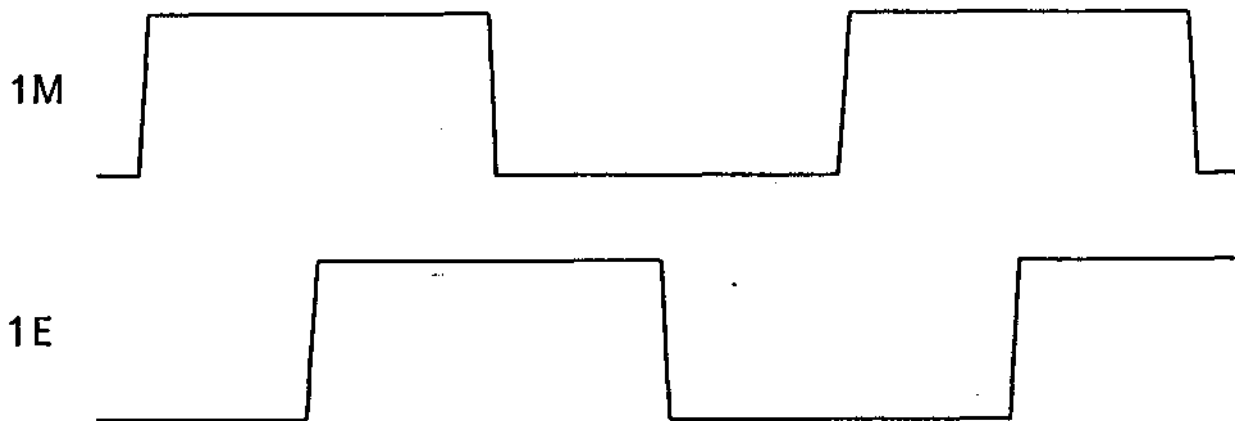
Using the oscilloscope, check that 8MHz, 4MHz, 2MHz, and 1MHz are available from pins 7, 6, 5, and 4 respectively of the video processor IC53.

Results: if these signals are not present then check that 16MHz is available at pin 8 IC53. If it is then replace IC53. If not then check the crystal controlled oscillator circuit formed by half of IC26 and XI.

Check that the CPU has two non-overlapping 2MHz clock inputs on pins 3 (phil) and 37 (phi2) of IC42, as shown in figure 1.

Check that 1E is available at pin 6 IC25. This signal should be phase shifted in relation to 1M at pin 4 IC53 as shown in Figure 4.7.4.

Figure 4.7.4 1M/1E



4.7.5 CPU

Test pin 40 IC42 (reset pin) and check that it is high. Press the BREAK key and make sure that pin 40 goes low for a reset and then high again on release.

Results: if pin 40 is stuck low then check for a short circuit on the main PCB, the keyboard, BREAK key, keyboard connectors or the resistors and capacitors of the 555 reset circuitry. If it is stuck high then check the 555 timer circuit (IC43), the keyboard ribbon cable and connectors, and the BREAK key itself.

Check that NIRQ (pin 4) and R/NW (pin 34) are wobbling. If not then test SYNC (pin 7). If SYNC is stuck either high or low then the processor is stalled.

Results: if CPU is stalled then check that ROMs are plugged in their sockets correctly. Check for address and data bus short or open circuit.

4.7.6 ROM

If ROM circuitry is not functioning then the CPU will not operate. Check that all ROMs are inserted with all the pins correctly in their sockets.

Use a PET tester if available (See information manual supplied to dealers Acorn Part No. 003,009). If this runs then the CPU is functioning correctly.

If the CPU cannot access the OS, check that the OS ROM is enabled and that all address lines are present. Check following BREAK that NOE pulses low at 2MHz (inverse of phi2), and NCS goes low and stays low for a time. Replace the OS/BASIC ROM with a known good one. Make sure that S19 is made East.

If machine works, but sideways ROM selection is faulty, then run the following program to test the ROM select latch.

Chapter 4

```
10 romsel% = &FE30
20 INPUT romnumber%
30 DIM P% 100
40 [
50 .start%
60 LDA romnumber%
70 STA romsel%
80 RTS
90 ]
100 CALL start%
```

Run the program and type in a number between 0 and 15 (&0 and &F). Check using a logic probe or oscilloscope that the binary representation of this number appears on pins 11 (most significant), 12, 13, and 14 (least significant) of IC45.

Results: if the ROM numbers are not getting through to the ROM latch then alter line 80 of the program to

```
80 JMP start%
```

and re-run the program.

Check with an oscilloscope that NPGLD from pin 13 IC36 is wobbling. If not then check for shorted track. If NPGLD is working then replace IC45.

If ROM latch contains correct ROM number but sideways ROMs still do not work then check decoder IC46.

4.7.7 DRAMs

Use a PORT tester to carry out a RAM check.

Check that RAS and CAS (pins 4 and 15 respectively of the eight DRAM ICs) are wobbling.

Results: if RAS is stalled low then the DRAM ICs may be destroyed. Check the circuitry for generating RAS and CAS (the video processor IC53 8M, 4M, and 2M, half of IC31, and various gates). Check that RAS and CAS timing is as shown in figure 6.

Check that RAM data lines are wobbling.

Check that the data bus buffer is being enabled, pin 19 IC49.

4.7.8 Video

Look at the displays from the ACW monitor and/or the external composite video monitor and see which of the following, (1), (2), (3), or (4) best describes them.

(1) None of the monitors operate.

Results: there are incorrect signals coming from the video processor. Replace the video processor IC53.

Run the following program and check that video processor is being selected (pin 3 IC53 is wobbling).

```

10 vidproc% = &FE20
20 DIM P% 100
30 [
40 .start%
50 STA vidproc%
60 JMP start%
70 ]
80 CALL start%

```

(2) The RGB picture is distorted.

Results: either the DIN plug is incorrectly fitted to the monitor socket, or CSYNC must be inverted by altering S27.

4.7.9 Cassette interface and RS423

These two interfaces are examined together because they share two major components, the UART or ACIA IC82 and the serial processor or SERPROC IC85.

If both the cassette interface and RS423 fail (shown up by the PORT tester) then it is likely that the fault is with one of the above ICs or its address decoding.

Cassette interface

Use a PORT tester to verify that the cassette interface is faulty.

All tests on the cassette interface must be carried out using a known WORKING cassette recorder and tape. The commonest fault is the user's cassette recorder and the azimuth adjustment should be checked. The tape recorder's volume control should be set for an output of 300mV peak to peak.

Test pin 25 IC85 (the serial processor) and check that 16MHz/13 (812ns period) is arriving at that pin. This signal must be stable and accurate. If not, the divide by 13 circuitry formed by IC18 is faulty.

If the cassette fails to LOAD, look at the following pins while attempting to LOAD:

IC89 pin 8 should show high and low tones of equal amplitude, symmetrical about 0V. If there is a marked displacement then replace IC89.

IC89 pin 14 should be similar to pin 8, with maximum 50mV displacement.

IC89 pin 1 should show a 1.4V peak to peak square wave with an even mark/space ratio. Reduce the volume of the cassette recorder until this is so. Maximum 50mV displacement.

Check that pins 2 and 3 of IC82 are wobbling.

Check that both IC82 and IC85 can be selected by running the following program.

```

10 acia% = &FE08
20 serproc% = &FE10
30 DIM P% 100
40 [
50 .start%
60 LDA acia%
70 LDA serproc%
80 JMP start% 90
100 CALL start%

```

Monitor the two chip selects, pin 9 IC82 and pin 9 IC85. These should be wobbling. If one is faulty then check the address decoding IC21 and IC39, and the connections from pin 5 and pin 6 IC39.

If the cassette fails to SAVE, then SAVE a section of ROM and check that there is a synthesised sine-wave signal from IC85 pin 27 of around 1.8V peak to peak. If not then replace IC85. If there is then replace the LM324 IC89.

RS423

Use a PORT tester to verify that the RS423 is faulty.

One way of checking the operation of the RS423 is to connect the SUSPECT microcomputer to a known working microcomputer via their RS423 ports. The connections must be made as follows

Din to Dout	pin A to pin B
Dout to Din	pin B to pin A
OV to OV	pin C to pin C
CTS to RTS	pin D to pin E
RTS to CTS	pin E to pin D

Once the two machines are connected, switch on the power for both, and configure the known WORKING microcomputer to accept RS423 as input by typing

```
*FX2, 2
```

This command will cause the microcomputer to accept input from both the keyboard and RS423, so keyboard commands will still work.

Now type the following BASIC program into the SUSPECT microcomputer

```
10 *FX3, 5
20 REPEAT
30 PRINT "U" ;
40 UNTIL 0
```

This program configures the SUSPECT microcomputer to give output to the RS423 and to the screen. It then prints the character "U", whose ASCII code is &55. &55 is a good number for testing the RS423 because it consists of alternating bits 01010101.

RUN the program.

If the known WORKING microcomputer starts printing UUUUUUUUUUUUUUUU etc across the screen then the RS423 is working as a transmitter. If it works then go on to test it as a receiver.

If no output appears then test the SUSPECT RS423 circuit as follows.

Check the Dout line either side of the driver, pins 2 and 15 of IC95. Pin 2 should be oscillating at normal TTL logic levels 0V/+5V. Pin 15 should be oscillating in phase with pin 2 but at RS423 logic levels -5V/+5V. If pin 2 is active but pin 15 is not then replace the driver IC95.

Check that the SERPROC IC85 is sending the transmit clock TXCK and receiving transmit data TXD from the 6850 IC82. These signals are on pins 26 and 22 respectively of IC85. If these signals are inactive then it is likely that the SERPROC is faulty or cannot be addressed. Use the test program given in the cassette section above to check that the address decoding for the SERPROC and 6850 is working.

Now press CTRL BREAK on each microcomputer and swap the configurations, so that the known WORKING computer is the transmitter and the SUSPECT computer is the receiver.

If "U" characters are output on to the monitor by the SUSPECT computer then its RS423 is working as a receiver.

If no output appears then test the SUSPECT RS423 circuit as follows.

Check the Din line either side of the receiver, pins 4 and 7 of IC94. Pin 4 should be oscillating at RS423 logic levels -5V/+5V. Pin 7 should be oscillating in phase with pin 4 but at normal TTL logic levels 0V/+5V. If pin 4 is active but pin 7 is not then replace the receiver IC94.

Check that the SERPROC IC85 is sending the receive clock RXCK and receive data RXD to the 6850 IC82. These signals are on pins 26 and 22 respectively of IC85. If these signals are inactive then it is likely that the SERPROC is faulty or cannot be addressed. Use the test program given in the cassette section above to check that the address decoding for the SERPROC and 6850 is working.

The alternative way of testing RS423 without using another microcomputer is to connect RTS to CTS and Dout to Din. Then if the BASIC program above is used to transmit data its path can be followed from the data bus through the 6850, SERPROC, drivers, out through the connector and back again through the receivers, SERPROC and through RXD back to the 6850. This loop allows all the components of the RS423 circuit to be checked as above.

4.7.10 Keyboard

Keyboard problems either show up as a single key which won't work reliably, or a whole group of keys which refuses to operate.

The single key fault is caused by that particular switch having worn out, or the track becoming broken by excess force. Replace the key or solder the track.

For multiple key problems, the first thing to check is that the connectors are inserted correctly. If the connections are good then check that one of the wires in the cable itself hasn't been broken, Try replacing the whole keyboard assembly with a good one. If it still doesn't work then the fault might be in the internal cable between rear panel and I/O Processor. Replace the cable with a good one. If the fault persists, suspect the computer and use a PORT tester.

4.7.11 Disc interface

The floppy disc interface is on the I/O processor board. The Winchester disc interface is not, and so the Winchester will be considered later, in chapter 6.

Check all links are in correct position for the 1770 chip:

- S3 South (PCB LINK)
- S4 South (PCB LINK)
- S5 broken
- S7 East
- S8 made

Check that all ICs and passives are fitted and inserted correctly.

The ACW floppy disc drive should be electrically isolated from the ACW by unplugging its data and DC power cables. Use a PORT tester to check that the disc interface is the problem. If it proves satisfactory, then the floppy disc drive itself is at fault and should be replaced.

A known working 80 track drive should be connected to the ACW disc drive ribbon cable. If the test drive is not a mains-operated unit, then it will also need connecting to the DC power distribution board of the ACW.

Turn the microcomputer on and check that the operating system recognises the disc filing system, to the prompt type:

*ROMS

The display should indicate:

ROM <number> : (a letter) <a filing system>

ROM

ROM

eg.

ROM (05) : (S) DFS

The "DFS" indicates that the Disc filing system ROM is present.

Results: if the message fails to say DFS then check the ROM socket and the ROM. If the ROM works OK then check that the data, address and control signals are reaching the 1770, IC16. Check for pulses on pin 1 of IC15 after a break. If there are none, check the address decoding logic.

Press (SHIFT)ID (BREAK). Drive 0 should start (the LED on the front of the drive comes on).

Results: if drive doesn't come on then check using an oscilloscope or logic probe that MO (pin 20 IC16) is high, NMOTOR (pin 10 IC8) is low. Check that S0 (pin 7 IC17) is high, NS0 (pin 8 IC7) is low. If the above signals are correct then check the connection from IC7 and IC8 to connector PL8. If the above signals are wrong then try a good 1770 and check IC17. Check that IC17 is reset after a BREAK (all outputs low). Check IC17 function by poking values between 0 and 64 into location &FE80. Check that the correct bit pattern appears on the outputs.

If drive does come on with (SHIFT)D (BREAK) then insert a known good 80 track disc into drive 0. Use a disc which has a number of files on it, and make sure that a write protect tab is fitted. Shut the drive door.

Try *CAT to get a catalogue of the disc. If no catalogue appears then check that S7 is fitted East. If an incorrect catalogue is obtained then check that S8 is fitted. This fault is unlikely if the disc system has worked before.

Check that after a BREAK a chip select (NCS) pulse occurs on pin 1 IC16. If not then check decoder IC28.

Use an oscilloscope to monitor read data (NRD) on pin 19 IC16, or the signal end of R7. The data should be negative-going pulses of period 4us or 8us. If not then check connections to PL8. Replace 1770.

4.7.12 Printer port

Use a PORT tester to check that the printer port is faulty.

Test the VIA (IC10) by writing values to it and testing the outputs. First configure all the data lines as outputs by writing &FF to the data direction register A (DDRA)

?&FE63=&FF

Then write &00 to the output register

?&FE61-&00

All the data lines to the printer connector PL9 should now be low, pins 3 5 7 9 11 13 15 and 17. If they are not all zero then check them at the VIA itself, pins 2 3 4 5 6 7 8 and 9 of IC10. If these are all low then the buffer IC5 is faulty. Otherwise check for open circuit tracks on data lines on both the printer side and the CPU side of the VIA.

Now write &FF to the output register

```
?&FE61=&FF
```

All the data lines to the printer connector PL9 should now be high, pins 3 5 7 9 11 13 15 and 17. If they are not all 1 then check them at the VIA itself, pins 2 3 4 5 6 7 8 and 9 of IC10. If these are all high then the buffer IC5 is faulty. Otherwise check for short circuit tracks on data lines on both the printer side and the CPU side of the VIA.

A better test is to use the binary configuration 10101010 on the outputs, and then change it to 01010101. These correspond to the values &AA and &55. This way short circuits are more likely to give the wrong value in the tests.

Connect a known good printer to the microcomputer. Check that the printer strobe output from the VIA pin 39 IC10 gives a 4us negative going pulse when the computer is instructed to print. If it does then check this pulse at pin 14 IC13. If the printer interface is working correctly then there should be regular strobe pulses until the printer buffer is full. If there is only a single pulse then check the printer ACK input pin 40 IC10. These two lines together (strobe and ACK) perform the data control handshake and, on being instructed to print, the two signals ought to alternate until the printer buffer is full. If the computer is sending a strobe pulse but no ACK is coming back from the printer then the connections to the edge connector PL9 are faulty. If the strobe pulse is not being sent then the fault is either a broken track or the VIA chip itself.

4.7.13 User port

Use a PORT tester to check that the user port is faulty.

Test the VIA (IC10) by writing values to it and testing the outputs. First configure all the data lines as outputs by writing &FF to the data direction register B (DDRB)

```
?&FE62=&FF
```

Then write &00 to the output register

```
?&FE60=&00
```

All the data lines to the user connector PL10 should now be low, pins 6, 8, 10, 12, 14, 16, 18 and 20. If they are not all zero then check for open circuit tracks on data lines on both the printer side and the CPU side of the VIA.

Now write &FF to the output register

```
?&FE60=&FF
```

All the data lines to the user connector PL 10 should now be high. If they are not all 1 then check for short circuit tracks on data lines on both the printer side and the CPU side of the VIA.

A better test is to use the binary configuration 10101010 on the outputs, and then change it to 01010101. These correspond to the values &AA and &55. This way short circuits are more likely to give the wrong value in the tests.

4.7.14 1MHz extension bus

Use a PORT tester. If the 1MHz extension bus is faulty then the PORT tester may show up all kinds of errors, because it is driven through the 1MHz bus.

Use the following program to exercise the FRED and JIM address decoding.

```
10 fred% = &FC00
20 jim% = &FD00
30 DIM P% 100
40 [
50 .start%
60 LDA &00
70 .loop%
80 STA fred%
90 STA jim%
100 JMP loop%
110 ]
120 CALL start%
```

RUN the program and test pins 4 and 5 IC28 for the FRED and JIM signals, which should be pulsing low for 1us or 1.5µs (depending on the CPU's synchronisation to 1M). If not then replace IC28. If the signals are good then test them at pins 16 and 14 IC6.

Check that the ROM output enable pin 6 IC40 is high (ROM disabled) when either FRED or JIM is low.

Check that SYNC 1M pin 8 IC41 is high when either FRED or JIM is low.

Check that the data bus buffer enable pin 19 IC12 is low (enabled) when either FRED or JIM is low. All the above three signals come indirectly from pin 11 IC34.

Check that the data bus DO-D7 goes low both sides of the buffer at some point after the buffer is enabled (pin 19 IC12 goes low).

IMPORTANT

The 1Mhz bus must be terminated. Termination resistors (RP2, RP3, and RP4) are located on the Winchester Host Adaptor PCB and are fine if the Winchester is the only peripheral on the 1MHz bus. If external peripherals are attached to the 1Mhz Bus then the terminators in the host adaptor should be removed and retained.

4.7.15 TUBE interface

Use a PORT tester to check that the TUBE interface is faulty.

Run the following test program

```
10 tube% = &FEE0
20 DIM P% 100
30 [
40 .start%
50 LDA &00
60 .loop%
70 STA tube%
80 JMP loop%
90 ]
100 CALL start%
```

Test the enable pin 19 IC14 with an oscilloscope and check that the signal is wobbling. If not then check the address decoding performed by IC21 and IC22.

Check that all data lines both sides of the buffer pins 11-18 and pins 9-2 of IC14 (DO-D7) go low at some point after the enable pin 19 IC14 goes low.

Change line 50 of the program to

```
50 LDA &FF
```

and check that all the buffered data lines go high at some point after the enable pin 19 IC14 goes low.

If these tests do not give correct results then check the data bus buffer IC14 and the PCB tracks and connections to PL12.

```
50 LDA &AA
```

and

```
50 LDA 655
```

can also be tried. These correspond to output bit patterns 10101010 and 01010101.

A0-A4, R/NW, and 2E can be looked for on pins 12 9 7 5 3 16 and 18 of IC13. These signals should be the same as the system signals, but delayed by 10-15ns.

4.7.16 Analogue to digital conversion

Use a PORT tester to verify that the ADC circuit is faulty.

Check VREF by measuring the voltage between pin 8 IC84 and ground. This voltage should be approximately 1.8V. Look for shorted or broken tracks if it is not.

Connect two known working analogue joysticks to the D-type connector SK6 used for the ADC. Type in and RUN the following program.

```
10 VDU 23,1,0;0;0;0;
20 CLS
30 REPEAT
40 PRINT TAB(0,0);ADVAL(1);SPC(4)
50 PRINT TAB(0,2);ADVAL(2);SPC(4)
60 PRINT TAB(0,4);ADVAL(3);SPC(4)
70 PRINT TAB(0,6);ADVAL(4);SPC(4)
80 UNTIL 0
```

Move the joysticks and see if you can get numbers in the range 0 to 65520 on each of the 4 channels. (In practice it may well not be possible to get near either one or both of the end values, but a good range of numbers on each channel is sufficient to show that the converter is working.)

If this experiment does not work then check that the ADC IC can be accessed by running the following program.

```
10 adc% = &FEC0
20 DIM P% 100
30 [
40 .start%
50 LDA adc%
60 JMP start%
70 ]
80 CALL start%
```

Check that pin 23 IC84 is active. If not then check the address decoding and connections from pin 9 IC21.

Press (CTRL) (BREAK) and look at the signal on pin 28 IC84. This line signals the end of a conversion and should be pulsing low approximately once every 10ms. If it is, but there is still a problem with A to D conversion, then check that the EOC signal is reaching pin 18 IC20.

4.7.17 ECONET

ECONET can only be serviced properly by ECONET service centres, who will have the necessary test equipment to check the system thoroughly. However, there are a few simple things which can be checked without the test equipment.

Check that all the ECONET components are installed and have been fitted correctly.

Check that NNMI on the CPU pin 6 IC42 is not being held low.

To display the station number type (SHIFT) Ci (BREAK) together.

If the system will not give a correct ID number then use the shunts S23 to find which track is broken or shorting.

4.8 IC description

IC1 74LS123 Dual monostable

Required only by 8271 disc interface.

(NOT FITTED ON ACW I/O PROCESSOR)

IC2 74LS393 Dual divide by 16

Required only by 8271 disc interface.

(NOT FITTED ON ACW I/O PROCESSOR)

IC3 4013 CMOS dual J-K flip-flop

Required only by 8271 disc interface.

(NOT FITTED ON ACW I/O PROCESSOR)

IC4 4521 CMOS 24 stage binary divider

Required only by 8271 disc interface.

(NOT FITTED ON ACW I/O PROCESSOR)

IC5 74LS244 Octal buffer

Permanently enabled buffer for the CENTRONICS compatible printer interface data lines.

106 74LS244 Octal buffer

Permanently enabled buffer for the 1MHz extension bus. Buffered lines are four address lines LA0 to LA3, NPAGEFD, NPAGEFC, 1MHzE, and RNW.

IC7 7438 Quad 2 input o/c NAND

(1) o/p pin 6 is drive select 1. Gates motor control and drive select from controller circuitry to form the external drive select. Must be able to drive a 150 ohm pull-up resistor hence cannot be LS TTL.

(2) o/p pin 8 is drive select 0 (see above).

(3) o/p pin 11 is used to buffer and invert the disc controller interrupt signal on to the wire-NOR NNMI interrupt line.

(4) o/p pin 3 gates the 1770 DRQ on to the interrupt line. Used only with 1770 hence link S8 used to select 1770 (made) or 8271 (broken) option.

If IC7 is fitted and the disc controller is not, then IC7 pin 13 or pin 2 (or R14) must be pulled low to avoid NNMI being held low permanently which would stop the ECONET hardware from working.

IC8 7416 Hex o/c inverter

Converts active high signals from disc control circuitry into the active low signals required by the disc drive. Also gives increased signal drive capability.

IC9 74LS00 Quad 2 input NAND Required

only by 8271 disc interface.

(NOT FITTED ON ACW I/O PROCESSOR)

IC10 6522 Printer/user VIA

This is a versatile interface adapter (VIA) IC. Half of it (A) provides a CENTRONICS compatible printer interface buffered via IC5. Handshaking is carried out via CA2 (strobe output buffered in IC13) and CAI (ACK input). The (B) half is connected directly to PL10 and is called the User Port.

IC11 74LS374 Octal latch

This IC latches the low address signals A0 to A7. These are used by 1MHz peripherals. The main function of the latch is to buffer the lines, but it also synchronises the lines so that changes can occur only while E is inactive (low). The latch is clocked by 1M, see also IC32.

IC12 74LS245 Octal bi-directional buffer

Used to buffer the 8 data lines from the data bus to the 1MHz expansion bus. Data direction is controlled by the de-glitched R/NW signal.

IC13 74LS244 Octal buffer

Used to buffer five address lines A0-A4, R/NW, and N2M for the TUBE interface. Also buffers the strobe handshake line for the CENTRONICS compatible printer interface.

IC14 74LS245 Octal bi-directional buffer

Used to buffer 8 data lines from the data bus to the TUBE interface. Is enabled only when TUBE is addressed.

IC15 8271 FM floppy disc controller

Required only by 8271 disc interface.

(NOT FITTED ON ACW I/O PROCESSOR)

IC16 1770 FM/MFM floppy disc controller

Driven by either the ACORN 1770 disc filing system software (for FM - single density recording) or by the ACORN advanced disc filing system software (for MFM - double density recording) to control 40 track or 80 track 5.25 inch disc drives (or any compatible alternative). The 1770 disc controller

cannot be used in conjunction with 8" disc drives.

1C17 74LS174 Hex D-type

This hex D-type latch is used for the disc control signals not generated by the 1770. Motor on/off, two drive select signals, and one side select signal are held in the latch. Also the disc format mode (single/double density) and a 1770 master reset signal are held in this latch. All these signals are under direct program control. The latch is addressed at &FE80.

1C18 74LS163 Presettable 4-bit counter

Configured as a divide by 13 to give 16MHz/13 clock for cassette and RS423 baud rate generation and disc speed detection.

1C19 74LS00 Quad 2 input NAND

- (1) o/p pin 11 detects a count of 12 on IC18 and generates a synchronous load pulse so that IC18 divides by 13.
- (2) o/p pin 8 is used as an inverter to generate NW for the system RAM.
- (3) o/p pins 3 and 6 are part of the decoder that converts the 2-bit code for display RAM size (from the addressable latch IC30) to the 4-bit code fed to the adder 1C76.

1C20 6522 System VIA

This is a versatile interface adapter (VIA) IC. The A data lines are used for communication with the keyboard, speech system, and sound. CA1 is VSYNC from the CRTIC, which interrupts the CPU every 20ms. CA2 generates an interrupt when a key is pressed. PB0-PB3 drive the addressable latch IC30. PB4 and PB5 are inputs from the joystick fire buttons. PB6 and PB7 are inputs from the speech processor. CB1 is the end of conversion signal from the analogue to digital convertor 1C84. CB2 is the light pen strobe signal from pin 9 of the 15-way D-type connector (SK6) used for analogue in.

1C21 74LS138 3 to 8 line decoder

This IC is enabled for address values &FE** (page FE), the Sheila 1/0 space. It is enabled when A8 is low and A9-A15 are high. The Sheila space is decoded into 8 blocks of 16 bytes. Each block is enabled when the corresponding decoder output is low.

1C22 74LS30 8 input NAND

Detects address values of &FC00 and greater. It forms the first stage of the 1/0 space address decoder logic.

IC23 74LS32 Quad 2 input OR

- (1) o/p pin 3 gates NW with the NFDC enable (address &FE80) to form the disc control latch clock.
- (2) o/p pin 6 gates NINTOFF/NSTATID with N2E to give a glitch-free active low preset signal for the ECONET NMI control latch.
- (3) o/p pin 8 gates the 2M clock with NVIDPROC to form CAS enable signal which can only be active (high) during CPU RAM access (phi2 high).
- (4) o/p pin 11 gates NDEN with the latched D6 RAM data. So "D6" received by the teletext generator chip 1059 will be forced high during display blanking.

IC24 74LS04 Hex inverter

Used for inverting various signals around the board.

1C25 74LS109 Dual J-K flip-flop

- (1) o/p pin 6 is a flip-flop clocked at 2M and samples the 1M signal to form the internal 1E and NE clocks.
- (2) o/p pin 10 is used as a state machine to process 1 MHz cycle requests. When pin 10 is high it holds phi2 high until phi2 and 1E synchronise.

1C26 74S04 Hex inverter

Three parts are used in a ring of two, plus buffer, 16 MHz oscillator. The remaining three are used where inversion is needed on time critical signals.

1C27 74LS00 Quad NAND

- (1) o/p pin 3 is used to gate 2M with R/NW to form NR, a synchronous read enable used by the ADC and 8271 disc controller (if fitted).
- (2) o/p pin 6 is used to gate 2M with NR/W to form NW, a synchronous write signal used by the ADC and the 8271 disc controller (if fitted).
- (3) o/p pin 8 is used as an inverter to generate NRS, the system master reset.
- (4) o/p pin 11 is a spare gate. Inputs are tied to +5V.

1C28 74LS139 Dual 2 to 4 line decoder

- (1) o/p pins 10 and 12 split the FDC address space into two parts. Uses A2 and NFDC so that o/p 10 is low for address values &FE84 to &FE87 and o/p 12 is low for &FE80 to &FE83. The o/p's repeat in blocks of 4 up to address &FE9F. When S7 is East (1770 disc controller) 2M is used to enable the device o/p's so the enable signals are effectively synchronous with phi2.
- (2) o/p pins 4,5 and 6 decode the I/O pages FRED JIM and SHEILA. The decoder uses the I/O enable from IC22 and A8 and A9 to detect the 256 byte I/O blocks.
o/p 4 is FRED &FC** o/p 5
is JIM &FD**
o/p 6 is SHEILA &FE**

1C29 TMS5220 Speech synthesiser (optional) (
NOT FITTED ON ACW I/O PROCESSOR)

1C30 74LS259 Octal addressable latch

This device expands the number of output bits available for system control functions. It is driven by the operating system through the system VIA (1C20).

1C31 74S74 Dual D-type flip-flop

- (1) o/p pin 6 disables the addressable latch 1C30 during a CPU access of the system VIA, to avoid VIA o/p glitches disturbing the latch (1C30) contents. The function does not need schottky speed.
- (2) o/p pins 8 and 9 generate timing for RAS, the RAM row address clock. RAS is a delayed 4M clock, the delay being nominally 62.5ns (half period of 8M). This device is schottky to minimise device delay uncertainty.

Chapter 4

IC32 74LS374 Octal D-type

This device is used to synchronise and de-glitch the 1MHz device control signals. By using 1M to clock the register, signal changes can only occur while E is low (inactive).

IC33 74S02 Quad 2 input NOR

- (1) o/p pins 1,4 and 10 form the CPU clock generator. Outputs 4 and 10 are connected as an R-S flip-flop, which generates a non-overlapping two phase clock. Schottky is used for minimum gate delays and to allow low value pull-up resistors to be used. The pull-ups (R20 and R21) ensure the MOS logic 1 voltages needed by the 6512A CPU.
- (2) o/p pin 13 inverts the RAS timing signal to form NRAS, the RAM row address clock. The delayed RAS signal (RSL) is used to modify the high/low ratio of NRAS. NotRAS is held low for an extra 10ns (approx) to meet the longest known Trsh spec of 120ns DRAMs. RSL controls the ROW/COLUMN address switching. The small delay between NRAS and RSL helps ensure the minimum RAM RAS address hold time is exceeded.

IC34 74LS08 Quad 2 input AND

- (1) o/p pin 3 combines the operating system enable with the BASIC language enable, so either will select the 32Kbyte ROM IC71. Logic 0 active.
- (2) o/p pin 6 combines two "NMI" signals (NNMI and NINT) to form the complete NNMI interrupt for the CPU.
- (3) o/p pin 8 operates with 2 EX-OR gates (IC63) to reduce the refresh address cycle time when in display mode 7.
- (4) o/p pin 11 combines the JIM and FRED enables. This signal, active low, indicates a 1MHz bus cycle is in progress.

IC35 various 64K, 128K or 256Kbit paged ROM

A 32Kbyte device in this socket appears in sideways ROM slots 2 and 3 (link S9 East). Link S9 West allows 8 or 16Kbyte EPROMs/ROMs to be fitted. IC35 can be any ROM or EPROM with a NCE access time less than 250ns.

IC36 16R4 Programmable array logic (PAL) IC (ACORN no 0201,880)

This device generates 4 enable signals:

- (1) A14 and A15 are decoded to form NOS, which is low when A14 AND A15 are logic 1.
- (2) A14 (low) AND A15 (high) are decoded to form NPG, the current sideways ROM enable. If sideways RAM is enabled (SRAM=1) then NPG is forced high while A12 OR A13 is low.
- (3) [A12 (low) OR A13 (low)] AND A14 (low) AND A15 (high) are decoded. The address decoded is ANDed with the sideways RAM enable bit (SRAM) to form NPGRAM. NotPGRAM will be low (active) if sideways RAM enable (SRAM) is logic 1 and the current address is between &8000 and &AFFF.
- (4) NPGLD is formed by decoding NROMSEL and A2. NotPGLD is low (active) when NROMSEL is low AND A2 is low.

The PAL contains two addressable 1 bit latches (write only):

- (1) VDUSEL is addressed at &FE34, and latches the value of D7. VDUSEL is the hardware SHADOW mode switch. Logic 0 is normal mode, which emulates the standard model B microcomputer VDU operation.

- (2) SRAM is addressed at &FE30. SRAM is an extension to the ROM select latch and holds the value of D7. This bit is the sideways RAM select flag. The signal is labelled "Qh" in the PAL spec (0201,880).

The PAL monitors the state of VDUSEL to determine if a shadow display mode is active. When VDUSEL is high (shadow active), the PAL checks the address of each CPU opcode fetch. If the opcode address is in the VDU driver code space then a temporary 1-bit flag is set (in the PAL). The flag remains set until an opcode outside the VDU driver code space is read. While the flag is set, all CPU access to memory between &30(X) and &7FFF is redirected to the shadow RAM. The redirection is achieved by manipulating the "A15" RAM address line. The RAM A15 address is generated by the PAL, and is the signal CPUSEL. Normally CPUSEL is the same as the CPU A15 address signal. When the flag is set, the PAL tests each CPU address and forces CPUSEL high if the address is in the range &3000 to &7FFF. So in shadow mode the CPU will access the shadow screen RAM for VDU operations and normal RAM for all other operations. VDU driver code is identified by its memory address. All code between address &C000 and &DFFF is treated as a VDU driver. Also, code in the paged RAM between &A000 and &AFFF is treated as a VDU driver (but not in paged ROM).

From the above it is apparent that any program code in the VDU code spaces must not address RAM between &3000 and &7FFF unless it intends to write to the shadow RAM (screen).

IC37 TMS6100 Speech PHROM (optional)

A serial ROM which contains the speech vocabulary data, used by IC29.

IC38 SN76489 Sound generator

This IC contains three sound channels and one noise channel. The sound pitch, attack, sustain, decay, and release are independently programmable from BASIC or machine code. Control is exercised through the system VIA IC20.

IC39 74LS139 Dual 2 to 4 line decoder

- (1) o/p pins 4,5,6 and 7. This decoder is enabled by IC21, for I/O address values between &FE00 and &FE1F. The IC uses address lines A3 and A4 to complete the I/O address decoding for the CRTIC (&FE00/1), ACIA (&FE08/9), SERPROC (&FE10) and the ECONET control signal NINTOFF/NSTATID (&FE18).
- (2) o/p pins 9,10,11 and 12 decode address values &FE20 to &FE3F into 2 write only blocks and 2 read only blocks (only one is used). At &FE20 (WR) is the VIDPROC. &FE20 (RD) is INTON, an ECONET control. &FE30 to &FE3F (WR) is "ROMSEL" space, see PAL IC36.

IC40 74LS20 Dual 4 input NAND

- (1) o/p pin 6 controls the paged ROM NOE signal. All paged ROMs are disabled during CPU write cycles by this gate (R/NW i/p). ROMs are also disabled for the I/O address space (FRED, JIM and SHEILA). The N2M clock ensures ROMs can only drive the data bus during phi2 which avoids bus drive conflicts during address changes.
- (2) o/p pin 8 "ORs" three active low signals to form an active high RAM data request signal. A15 low OR NPGRAM low OR NVIDPROC low will enable the RAM data buffer IC49, see IC48 o/p 12.

IC41 74LS30 8 input NAND

ORs five I/O enable signals to form the active high 1MHz cycle signal SYNC IM. This signal is used by IC25 to trigger 1 E and phi2 clock synchronisation. The five input signals correspond to the

Chapter 4

various I/O devices which operate with 1MHz (1E) interface timing.

IC42 6512A CPU

The 6512A is a member of the NMOS 6500 processor family. This IC is functionally similar to a 6502A, the only significant difference being the clock drive. A 6512A uses MOS level clocks (phi1 and phi2) and so gives more precise system timing than is possible with the TTL "phi in" clock of the 6502A.

THE TWO PROCESSOR TYPES ARE NOT INTERCHANGEABLE.

This microcomputer can use 2,3 or 4 MHz CPU parts (6512A/B/C)

IC43 NE555 Monostable IC

The 555 is used as a monostable for generation of the microprocessor system reset pulse. It is triggered at power-on or by the keyboard BREAK key. A logic 1 active output pulse is generated and part of IC27 inverts RS to form NRS, the CPU reset.

IC44 various 64K,128K or 256Kbit paged ROM

A 32Kbyte device in this socket appears in sideways ROM slots 4 and 5 (link S11 East). Link S11 West allows 8 or 16Kbyte EPROMs/ROMs to be fitted. This device can be any ROM or EPROM with a NCE access time less than 250ns.

IC45 74LS163 Synchronous divide by 16 counter

Used as a 4-bit latch which holds the paged ROM ID. The IC is clocked by N2E. When the latch is addressed, at &FE30, its LD enable is taken low (active) and the write data on the CPU data lines D0 to D3 is latched. The load event is effectively when phi2 falls. The QA output (latched DO) is used as a pseudo address line for 32Kbyte ROMs/EPROMs and so splits these devices into two 16Kbyte pages.

IC46 74LS138 3 to 8 line decoder

This decoder is enabled by the NPG signal from the PAL (IC36). When enabled the decoder selects one of the ROM sockets, according to the code held in IC45. Each enable output is active for 2 paged ROM IDs as the decoder uses the latched values of D1 to D3. S13 is used to select the page number for the "language" half of IC71 (normally BASIC II). S13 North selects page 0/1. South selects page 14/15.

IC47 LM324 Quad operational amplifier

The four parts of this IC are used to filter and amplify the speech and sound signals before they reach the volume control.

(1) o/p pin 1 is the final filter stage, nominal bandwidth of 7kHz.

(2) o/p pin 7 is the speech audio filter stage, approximately 7kHz bandwidth.

(3) o/p pin 8 is the summing stage, mixes sound, speech, speech envelope and user audio inputs into one channel.

(4) o/p pin 14 extracts the sound channel envelope. The op amp inverts the sound signal and charges C15 through D4. R34 discharges C15 "slowly", so C15 holds the sound envelope voltage (inverted). When the envelope is added to the sound audio, the resulting signal is "AC", that is symmetric about OV.

IC48 74LS10 Triple 3 input NAND

- (1) o/p pins 6 and 8 are part of the hardware scroll wrap around logic. With parts of IC19 they decode the screen size code, C0 and C1 from IC30, to drive the offset adder IC76.
- (2) o/p pin 12 enables the RAM data bus buffer IC49 and the RAM write signal. The logic 1 request input from IC40 pin 8 is gated with N2M to form NENM, the 0 active RAM enable signal. Not2M is used to ensure the enable is only active during the CPU phase, ie while phi2 is high. This avoids bus conflicts during phil. Also it forces the RAM to be "read only" during VDU cycles. Note the buffer is active for RAM or VIDPROC access. During a VIDPROC write the RAM is disabled by holding NCAS at logic 1 (see IC23 and IC52).

IC49 74LS245 Octal buffer

The RAM and VIDPROC data bus buffer. This IC isolates the RAM data bus from the CPU data bus to allow VDU read cycles to occur without interference' from the CPU data bus, particularly during 1MHz device cycles. Another important function of the buffer is to reduce the CPU data bus loading by isolating the RAM and VIDPROC etc.

IC50 and IC51 74LS257 Quad two to one data selector

These two ICs select the RAS and CAS address signals from the CPU address lines. The CPU A15 is not used. The "A15" input is the CPUSEL signal from the PAL 1C36. The CPU address is only valid during phi2 high because IC50 and IC51 are disabled (held tristate) while phi2 is low. phi2 low is the VDU RAM access period. 2M is used as an enable to avoid loading the phi clocks.

IC52 74S00 Quad 2 input NAND

- (1) o/p pins 3 and 6 connected as an R-S flip-flop. The set and reset signals are the inverted and delayed 4M and 8M clocks respectively. The output signal on pin 3 is the precursor of the 6MHz clock used by the TELETEXT display circuit. See IC63 o/p 3.
- (2) o/p pin 8 is used to drive the RAM NCAS clock. NotCAS is timed from the system 4M clock. NCAS is held high, if the CPU cycle is a VIDPROC write, by a logic low from IC23 pin 8.
- (3) o/p pin 11 is used to modify the duty cycle of the 16MHz clock to suit the needs of the Ferranti ULA (IC53). Note the passives R36,R37,R38 C14,D5,D6,D7 may also be needed for the Ferranti IC.

IC53 ULA Video processor IC

This component contains a 4-bit divider which generates the 8/4/2 and 1MHz system clocks. It also selects the RGB signals, internal for modes 0 to 6 and external, from IC 59, for mode 7. The RGB can be inverted if link S14 is made South. The main function of the IC is parallel to serial conversion of the display data read from RAM and the logical translation of the pixel code to the 3-bit RGB "code" of each display pixel. The translation process varies with screen resolution (mode). A pixel may be represented in RAM by 1,2 or 4 bits of data.

1054 74LS273 Octal D-type

This IC latches the RAM data at the end of alternate VDU phases. It is needed to hold the data for the teletext IC which has long data setup and hold times. The latch is clocked 500ns before the SAA5050 IC59, giving equal setup and hold times of 500ns.

IC55,56,60,61,64,65,66,67 4164 641:x1 bit 120ns access DRAMs

These eight ICs are the system memory. The RAM appears as a 32Kbyte block from &0000 to &7FFF. A further 20Kbytes are used for a "SHADOW" screen memory. The remaining 12Kbytes is

Chapter 4

PAGED in under program control as a sideways RAM. Note IC96, a DRAM SIL pack, may be supplied instead of these ICs.

IC57 various 64K,128K or 256Kbit paged ROM

A 32Kbyte device in this socket appears in sideways ROM slots 6 and 7 (link S12 East). Link S12 West allows 8 or 16Kbyte EPROMs/ROMs to be fitted. This device can be any ROM or EPROM with a NCE access time less than 250ns.

IC58 74LS02 Quad 2 input NOR

- (1) o/p pin 1 mixes the video display sync pulses HS and VS to form NCSYNC. The HS pulse is nominally 4us long. VS is nominally 132us (2 TV rasters) long.
- (2) o/p pin 4 gates the buffered CPU R/NW with NENM to form the DRAM W signal, which is buffered and inverted by IC19 to form NDW.
- (3) o/p pin 10 gates NDEN and RA3 (from the CRTC) to form the DIS EN signal. DIS EN high enables the VIDPROC generated RGB signals. It does not affect mode 7. This signal is used to blank the display: NDEN is high for periods outside the display window and so blanks the graphic mode borders. RA3 is only active for the text only "graphic" screen modes (modes 3,6,131 and 134), when the signal causes a 2 raster space between each text row. In modes 3,6,131 and 134 the CRTC RA lines count from 0 to 9. The other modes have only 8 raster lines per character row so the RA lines count from 0 to 7, therefore RA3 only goes high for modes 3,6,131 and 134.
- (4) o/p pin 13 is part of the colour burst monostable. The o/p signal enables the colour subcarrier during the colour burst interval. R76 and C32 determine the pulse duration which is set at manufacture to be in the range 4 to bus. D15 is used to discharge C32 quickly during the HS pulse period. The monostable is "triggered" at the end of the HS pulse.

IC59 SAA5050 The Teletext display generator

The SAA5050 contains the character look up ROM, the raster counter and general control logic needed to generate the pixel information for mode 7. The IC receives character data codes from IC54, at a rate of 1MHz. VS is used to reset the IC at the start of each TV field and so maintain display synchronisation, particularly with the internal raster counter. Character rounding is permanently on. The NRA0 line, from the CRTC via IC24, gives the SAA5050 information on the current TV display field, odd or even, to allow character rounding.

IC62 various 64K,128K or 256Kbit paged ROM

A 32Kbyte device in this socket appears in sideways ROM slots 8 and 9 (link S15 East). Link S15 West allows 8 or 16Kbyte EPROMs/ROMs to be fitted. This device can be any ROM or EPROM with a NCE access time less than 250ns.

IC63 74LS86 Quad 2 input EX OR

- (1) o/p pin 3 is part of the 6MHz clock circuit.
- (2) o/p pins 6 and 8 are used to modify the CRTC address during the unused read cycle of mode 7 VDU cycles. Along with IC34 o/p pin 8 these gates form a circuit which reduces the time taken to cycle through the refresh address sequence when in mode 7.
- (3) o/p pin 11 is a spare gate, inputs tied to +5V. IC68

various 64K,128K or 256Kbit paged ROM

A 32Kbyte device in this socket appears in sideways ROM slots 10 and 11 (link S18 East). Link S18 West allows 8 or 16Kbyte EPROMs/ROMs to be fitted. This device can be any ROM or EPROM with a NCE access time less than 250ns.

1069 74LS74 Dual D-type flip-flop

- (1) o/p pin 6; this flip-flop holds the ECONET NMI enable signal. The flip-flop is used as an R-S latch. When address &FE18 is read/written, the latch is set (o/p 6 low), which disables ECONET NMIs. IC23 o/p 6 gates N2E with the decoded address to give a glitch-free preset pulse. To enable the NMIs, address &FE20 is read. The decoded address signal appears as logic 0 on the D i/p and is clocked through by the rising edge of N2E (eg when phi2 falls). This clears the D-type (pin 6 high) and by the feedback action of Q connected to NCL locks the D-type in the reset state (ie NINTON high will not cause the D-type to become set). Note as NPR (pin 4) acts directly on the Q o/p it can defeat the NCL i/p and set the device.
- (2) o/p pin 9 generates the alternate line signal which is used by the PAL encoding logic to encode the chroma signal. The D-type is clocked by HS and so changes state at the start of each TV raster line (divides the line frequency by two). Link S28 (made with a PCB track) allows the alternating line signal to be disconnected, for NTSC operation. Note: for NTSC R92 should be removed and an appropriate colour subcarrier crystal fitted. X2 should be four times the colour subcarrier frequency. The RF modulator must also be chosen to suit the destination country.

1C70 74LS132 Quad 2 input schmitt trigger NAND (ECONET only)

Note: when collision detect is not used (IC93 not fitted) IC70 can be the cheaper 74LS00.

- (1) o/p pin 3 inverts NRTS. If the collision detect circuit is fitted, this gate buffers IC93 to give a true "no collision" signal. Its main purpose is to give clean TTL level signals with normal TTL transition times.
- (2) o/p pin 6 forms the NCTS signal used by IC81 to check for network collisions. Input 5 ensures the signal is always false if the network clock is not present.
- (3) o/p pin 8 gates the network NMI enable with the true "INT" signal to form NINT. NotINT is the ECONET NNMI signal which is passed to the CPU via IC34. R56 is only needed on machines built without an ECONET interface.
- (4) o/p pin 11 inverts NIRQ from IC81 to form IRQ. This signal is treated as an NMI by the system (when enabled by IC69). NotINT is an open drain o/p so R59 is needed as a logic high pull-up.

1C71 OS EPROM

A 32Kbyte ROM. The top half addressed from &C000 to &FFFF (except for 0.75Kbyte I/O) contains the machine operating system program. The bottom half on the ACW is not used but in the BBC B+ and possibly future versions of the ACW could be a paged ROM containing BBC BASIC II. In this case Link S13

selects the BASIC ROM slot number: South selects slots 14/15 (standard configuration, high priority), North selects slots 0/1 (low priority). Link S19 is permanently made East for CPU address A14 to pin 27 of ROM IC.

1C72,73,74,75 74LS253 Dual 4 to 1 data selector

These four ICs select the DRAM address signals according to the current display mode and RAS/CAS state. Not2M enables the four ICs (luring the VDU RAM read phase. RSL drives pin 14 to select the RAS or CAS address signals, RSL low selects the row address (NRAS clock). MA13 from the CRTIC IC78 selects the mode 7 address group when high. MA13 is low during all the "graphics"

screen modes. The VDUSEL signal from IC36 is low for normal screen modes and high for all shadow screen modes.

1C76 74LS283 4-bit adder

The adder is used to modify the natural display address from the CRTC IC78. Take mode 0 as an example. Mode 0 uses 20Kbytes of RAM from &3000 to &7FFF. If the CRTC display is scrolled (in hardware) then the address from the CRTC will be, say, &4000 to &8FFF (assumes a scroll step of &1000). The display memory must still be &3000 to &7FFF. To keep the CRTC address, as seen by the RAM multiplexer, correct, an offset is conditionally added to the actual CRTC address. The offset is 12K. As the address logic does not generate an address above &8000 there is no use for address line A15 (MA11). Thus when the CRTC scrolls above &8000 it appears to address &0000 upwards. By adding "12K" the RAM address becomes &3000 upwards. So although the CRTC outputs an address outside the allowed RAM address, the adder causes the true address to remain in the allowed range of &3000 to &7FFF. This principle is used for all graphic screen modes (ie all but mode 7).

There are four different graphic screen sizes, 8/10/16/20Kbytes. The adder therefore needs to "add" an offset of 24K/22K/16K/12K respectively. The operating system gives a 2-bit code labelled CO,C1 which is decoded to give the adder offset for the current screen mode.

C1	C0	Offset	adder input	B4	B3	B2	B1
0	0	16K		0	1	1	1
0	1	8K		1	0	1	1
1	0	20K		0	1	0	1
1	1	10K		1	0	1	0

1C77 LM386 Audio power amplifier

This IC is a low-cost amplifier with a fixed voltage gain of about 26db. C24 and R58 are needed to give load independant output stability (freedom from parasitic oscillation).

1C78 6845 CRTC controller

The CRTC is responsible for all VDU address generation. It is a programmable device which, once set up, independently generates the RAM address sequence for a wide range of display formats. The IC can "scroll" the display by responding to a change in the value of the display start address. A programmable cursor and the horizontal and vertical sync pulses are also generated by this IC. Included in the IC is an address latch which is used with the "light pen" input to save the character address at the time of a trigger event on pin 3 of the IC. The device is accessed at 1MHz by the CPU at &FE00/1. A character clock of 1 or 2MHz is supplied by the VIDPROC, depending on the VDU mode.

1C79 74S74 Dual schottky D-type flip-flop

The two parts of this IC are used in a ring counter which is clocked at four times the colour subcarrier frequency (17.734475MHz). Each D-type generates an output at the colour subcarrier frequency (4.43361875MHz). The two signals are in phase quadrature (90 degrees apart) and form the master signals for the PAL chroma encoding logic. The signal on pin 8 is set to 4.4336MHz +/- 100Hz by adjustment of VC1.

1C80 74LS244 Octal 3-state buffer

The 8 buffers in this IC are used to drive the CPU data bus with the ECONET station ID. The buffers are enabled when the CPU reads address &FE18. A write to &FE18 will result in a data bus drive conflict and should not be attempted. Link S23 sets the station ID. Each link has a binary value

with the largest, 128 (decimal), at the North end of the row. A broken link (shunt removed) adds the link value to the station ID eg all links fitted gives 0.

IC81 68B54 Serial data link controller (ECONET only)

This IC is an ADLC (advanced data link controller). It is responsible for transmitting and receiving serial data to and from the ECONET. Each byte of an ECONET transfer is under interrupt control, and is managed by a network filing system. The NRTS signal is controlled by software. It enables the ECONET line driver IC91. NotDCD is driven by a clock detection circuit to allow a program to detect the network clock. NotCTS is tested to check for network data packet collisions, see comments on collision detection under IC93. NotIRQ is used as an NMI interrupt, which is enabled/disabled under program control (see IC69 and IC70). A 4k7 pull-up resistor R59 is fitted when IC81 is present, as NIRQ is an open drain output.

IC82 6850 ACIA (UART)

A UART is a serial asynchronous interface circuit which can both transmit and receive data. The 6850 is used for parallel to serial data conversion for either the cassette interface or the RS423 interface. Three handshake signals are available, NDCD, NRTS, and NCTS. These can be tested by the controlling program to determine interface status. Two clock inputs allow the transmit and receive bit rates to be set independently. The two clocks are generated in the SERPROC IC85.

IC83 74LS86 Quad two input EXOR

- (1) o/p pin 3 is part of the TV colour (PAL) encoder circuit. One of four EXORs is used to select the phase of the colour subcarrier reference needed to synthesise the colour subcarrier for a particular colour.
- (2) o/p pin 6 see above (o/p pin 3).
- (3) o/p pin 8 is used to select the polarity of the CSYNC signal on the RGB connector SK3. With link S27 set North, positive syncs are generated. S27 South (the normal setting) gives negative syncs.
- (4) o/p pin 11; this gate is driven by the alternate line divider IC69 and shifts one of the master colour subcarrier references by 180 degrees to give the phase alternating line (PAL) subcarrier. PAL can be disabled by making S28 South.

IC84 upD7002 4-channel analogue to digital converter

Analogue signals input via SK6 are converted (about 10ms per channel) to a 12-bit digital value. The ADC informs the processor of a completed conversion by interrupting it (IRQ). Interrupts are generated by the system VIA IC20 when it receives an active NEOC signal. Three diodes (D9 D10 D11) in series are used for the voltage reference which is typically 1.8 volts with a -6mV per degree C temperature coefficient. Note that the accuracy of the ADC part is equivalent to a resolution of about 8 bits.

IC85 ULA Serial processor IC

The SERPROC handles the RS423 and cassette interface circuits. Built into the IC are programmable clock generators which set the serial bit rate. Signals from the selected interface (RS423 or cassette) are routed to/from the 6850 IC82 by this IC. The replay cassette signals are demodulated in IC85 and a bit clock signal is recovered. A preamble tone is timed to initialise data reception. When fitted, R66 and C30 are used to time the preamble tone. Motor control of a cassette recorder is managed by the SERPROC. A control bit in the IC controls the relay RL1. The control signal on pin 11 is buffered by Q7 which switches the relay coil (50 ohm).

Chapter 4

IC86 74LS86 Quad two input EXOR

- (1) o/p pin 3 generates a colour subcarrier reference component according to the current display colour.
- (2) o/p pin 6 is one of three gates which generate control signals to gate the subcarrier component signals into the resistor matrix, by enabling or disabling NAND gates in IC90.
- (3) o/p pin 8 see o/p pin 6
- (4) o/p pin 11 see o/p pin 6

IC87 74LS00 Quad two input NAND

- (1) o/p pin 3 buffers the colour reference oscillator to ensure TTL levels.
- (2) o/p pin 6 is used as an inverter. It drives the colour burst timing components R76 and C32 with NHS, see IC58 o/p pin 13.
- (3) o/p pin 8 is one of two gates which drive the colour subcarrier resistor matrix with the colour burst subcarrier components. Input pin 10 receives an enable pulse from the colour burst monostable.
- (4) o/p pin 11 is the second gate of the colour burst generator.

IC88 74LS123 Dual monostable

- (1) o/p pin 5 determines the maximum allowed transmission period for an ECONET data packet. The monostable's duration is set to about 4.5s and is triggered by the inverted ECONET controller NRTS signal (which previously directly enabled the line driver). While triggered the monostable enables the line driver IC91. At the end of a transmission the monostable is cleared. Normally the monostable output (pin 4) appears logically to follow the RTS signal. The real purpose of this circuit is to stop a micro from permanently driving the ECONET line as a result of, say, a user program crash.
- (2) o/p pins 4,13; this monostable is triggered by the received clock from an ECONET line. While the clock is present the monostable remains triggered, o/p pin 4 low. If the clock is not present or is very slow, then o/p pin 4 will oscillate or stay set. The state of the monostable can be checked directly, by the ECONET tiling system testing the 68854 NDCD signal.

IC89 LM324 Quad operational amplifier

- (1) o/p pins 1,8,14 give two stages of filtering and one limiting amplifier stage for the received cassette audio signal. When the audio is present, a 1.2 volt (approx.) square wave will be presented to the SERPROC.
- (2) o/p pin 7 buffers the audio output to the cassette recorder.

IC90 74LS00 Quad two input NAND

o/p pins 3,6,8,11 are four gates which are selectively enabled to drive the colour subcarrier resistor mixing matrix, to generate the colour subcarrier phase for the current display colour. L1, C40 and R113 in parallel with R114 form a simple low Q band pass filter tuned to the colour subcarrier frequency (4.43MHz), which reduces the harmonics of the chroma (colour) signal.

IC91 75159 Dual RS422 line driver

- (1) o/p pin 2 used as an inverter. Forms a true RTS signal to trigger/clear the ECONET timer monostable.
- (2) o/p pins 12,13 drive the ECONET data lines with an RS422 differential signal. An RS422 signal has nominal TTL logic levels; two lines are driven to opposite logic states, to give

differential signal transmission. The gate is capable of driving a 50 ohm load tied to 2.5 volts. When the ECONET interface is inactive (not transmitting) the driver is in a high impedance state. A logic 1 on pin 9 enables the driver.

IC92 LM319 Dual analogue comparator

- (1) o/p pin 7 senses the ECONET clock signal. R78 introduces a small amount of hysteresis to avoid self-oscillation of the comparator when no signal is present (which would result in permanent clock present indication). R63 is a pull-up, the comparator has an open collector output. The comparator receives an attenuated clock signal which is also positively biased. R125,134,140,141 form an attenuator (approximately 10:1). R147 with R148 sets a bias of about 2 volts so the comparator input signals stay within the supply voltage (5 volts).
- (2) o/p pin 12; this comparator receives data from the ECONET line. R73 is a pull-up and R79 gives the comparator hysteresis. R106,110,142,143 form an attenuator (approximately 10:1). Again the inputs are biased to nominally 2 volts. The comparator converts the differential ECONET data signal to single ended TTL which is decoded in IC81, the ADLC. The LM319 comparator is sufficiently sensitive to allow high impedance attenuators to be used while still detecting the ECONET idle line state. An idle line has a differential voltage of about 0.6 volts impressed on it by the ECONET line termination networks (not part of the micro).

IC93 LM319 Dual analogue comparator (special fitting)

This comparator circuit is not normally fitted. When fitted its purpose is to detect data packet collisions on the ECONET. Collisions are normally avoided by the network filing system protocol, and so are rare. When a collision occurs it will result in data corruption (detected by the filing system error checks when collision detection hardware is not fitted). If collision detection should be required then link S29 should be broken and IC93 and its associated components fitted.

IC94 88LS120 Dual RS423 receiver circuit

- (1) o/p pin 7 receives the RS423 port data signal. This input is also compatible with RS232 data. To reduce the voltage swing the signal is attenuated by R124,118. C31 reduces the signal bandwidth and so reduces the risk of glitches in the received signal presented to the SERPROC.
- (2) o/p pin 9 receives the RS423 NCTS control signal. R149,152 attenuate the voltage levels while C35 "filters" the signal.

S24 and S25 are optional links which connect internal termination resistors to ground. These links should not be fitted.

IC95 3691 Dual RS423 line driver

- (1) o/p pin 10 drives the NRTS control line with an RS423 compatible signal. C45 slew limits the signal to reduce electromagnetic radiation which might cause interference to other equipment. Note in most applications this line can interface to an RS232 device.
- (2) o/p pin 15 drives the data line of an RS423 interface. C44 slew limits the signal.

IC96 4164EK8 SIL pack 64Kbyte DRAM. 120ns access

(NOT FITTED ON ACW I/O PROCESSOR)

This device can be fitted as an alternative to 8 off 64Kx1 DRAM integrated circuits ICs 55,56,60,61,64,65, 66,67.

5. 32016 Processor PCB

5.1 Introduction

The 4M byte 32016 processor is installed in the right-hand side tray of the ACW. The circuit is based around the National Semiconductors 32016 series of processors and support devices which together provide a performance comparable with modern mini-computers. The circuit has been designed to allow operation at a processor clock *rate* of 10Mhz, when using memory devices with a 150nS access time and a single wait state.

5.1.1 Disassembly and assembly

Removal and re-assembly of the 32016 processor card is explained in section 2.4.

5.2 General circuit description

5.2.1 Main Components

A block diagram of the circuit is shown in Figure 5.2.1 (a).

A number of main component blocks can be identified, these are:

Central processor unit	(CPU)	NS32016
Timing and Control unit	(TCU)	NS32201
Floating Point unit	(FPU)	NS32081
Tube (R)		
Memory Driver Bank		74LS24x Series devices
Dynamic Memory array		256K bit DRAMs
EPROM		2 off 16K*8

Figure 5.2.1 (a) 32016 Block Diagram

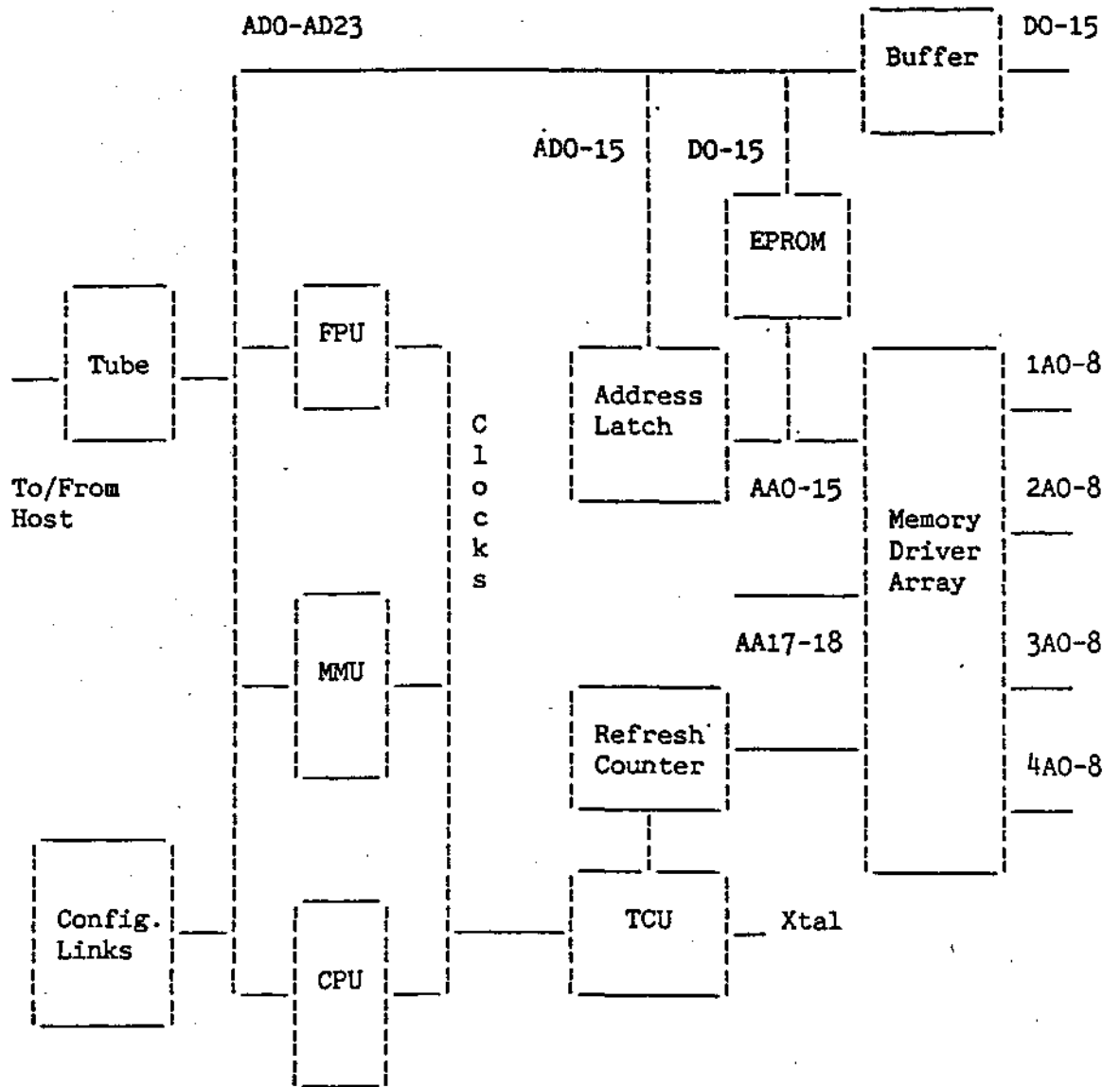
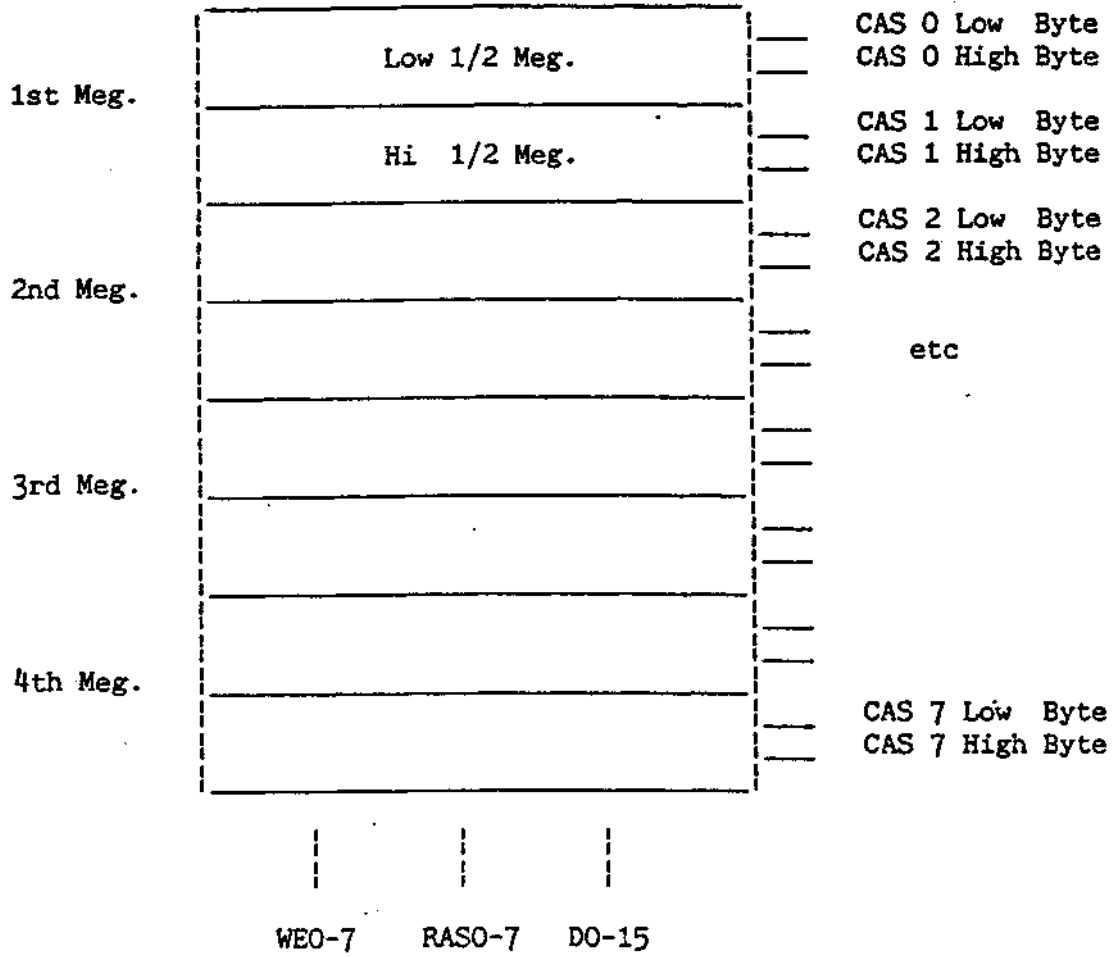


Figure 5.2.1 (b) 4 M BYTE 32016 Memory Banks



The main bus connecting these components together is the 24/16 bit A/D bus, this is a bidirectional multiplexed address/data bus.

The CPU is responsible for instruction fetch, decode, operand fetch and the execution of integer arithmetic. Floating point instructions together with the required operands are passed to the FPU for execution.

The TCU provides a number of system clocks at half the crystal frequency. In addition it controls memory access cycles in conjunction with some additional TTL based circuitry.

The TUBE (R) is a communications channel to the host or I/O processor. Data passes through the tube under program control, an interrupt scheme is used on the 32016 side of the TUBE and polling is used on the Host side.

The memory drive banks provide multiple buffered copies of the timing signals required by the DRAM array (ie. A0->A8,RAS,CAS,WE). Buffering is required because of the high loading presented by the memory array.

The socketed memory array is organised as four 1/2 M Word sections. Each section is further divided into low and high byte banks.

The Configuration links are read by software and indicate the presence or absence of an optional hardware like the FPU.

5.3 Detailed Circuit Description

Refer to the circuit diagram in the appendix while reading the following sections. **5.3.**

1 Clock scheme

The NS32201 Timing and Control unit produces a two phase MOS compatible clock (PHI1 and PHI2). These are used internally by the NS32000 family only. For general use throughout the remainder of the circuit the TCU provides CTTL which is a TTL compatible replica of PHI1 clock. All the above mentioned clocks run at a half the crystal frequency.

In order to reduce the probability of synchronisation failure occurring the crystal oscillator input to the TCU is paused (low) if both the host BBC Micro. and the 32016 access the tube simultaneously.

5.3.2 Reset and Booting

Pressing BREAK on the keyboard causes a reset to occur in the host processor, this causes NHRST on the host side of the Tube to go low and this in turn causes NPRST on the 32016 side. NPRST is connected to the TCU reset in (NRSTI). The TCU produces a system reset (NRSTO) and it is this signal that resets the 32000 series devices.

During the reset recovery sequence (BOOTING) the CPU starts execution at location Hex 000000 (Zero), however it also expects to find a module table at location zero during program execution. This causes a problem as this first instruction must be held in EPROM and the module table must be in RAM. The problem has been solved using a technique known widely as "RAM-FLIP". During BOOTING the address decoding logic causes the EPROMs to appear at multiple locations including zero and the RAM is disabled. The first instruction held in EPROM at Hex 0000 is an unconditional branch into a high order copy of the EPROM (Typically address Hex F00010). Execution continues with a Write instruction (to no particular address) and this causes the address decoding logic to switch out low order copies of the EPROMs and enable the RAM.

The BOOTING sequence is controlled by an S-R latch formed by two cross-coupled NAND gates (IC19, IC4). The output NBOOTING is set low by a reset from the TUBE (NPRST) and reset high by NWR. NBOOTING low forces the EPROM chip select (NCS) active causing the EPROM to respond

to all addresses (ie it replicates at 16k word intervals)

5.3.3 Address map - general

The address map is not fully decoded which means that some devices (ie the TUBE) could be addressed at more than one location. The locations that software must use are described below.

5.3.4 Address map - during Booting

The EPROMs replicate from address Hex 000000 to Hex FFFFFFFF at 32k byte intervals but Pandora and other software should only addresses the EPROMS at:

Hex 000000 - one instruction
and Hex F00000 - normal base address

5.3.5 Address map - after Booting

After booting software must address:

RAM	Hex 000000) to Hex 3FFFFFFF
EPROM	Hex F00000 to Hex F3FFFF
Configuration Switches	Hex F90000
TUBE	TR1 Status Hex FFFFF0
	TR1 Data Hex FFFFF2
	TR2 Status Hex FFFFF4
	TR2 Data Hex FFFFF6
	TR3 Status Hex FFFFF8
	TR3 Data Hex FFFFFA
	TR4 Status Hex FFFFFC
	TR4 Data Hex FFFFFE

Except during Booting no hardware exists between addresses Hex 400000 and Hex EFFFFFFF (4 and 15 M bytes). This space is reserved (by Acorn) for:

Hex 400000 - Hex 7FFFFFFF (4 - 12 M bytes) RAM Expansion
Hex 800000 - Hex EFFFFFFF (12 - 15 M bytes) I/O Expansion

5.3.6 Address decoding Logic

Multiplexed addresses from the processor or memory manager on AD0-AD15 are latched into 1C8 and 1C9 and remain stable throughout a bus cycle. Address lines A16 to A23 do not require latching as they are not multiplexed.

The data bus (D0-D15) from the DRAM array is buffered onto the processor bus (AD0-AD15) by two bidirectional buffers (1C12 and 1C13 - 74LS245). The enable signal NBE is a function of address bits A22 and A23, and only enables the buffers when A22 and A23 are both zero (ie. for addresses in the bottom 4 M bytes). A22 and A23 are also used in the same way to enable/disable NCAS to the memory chips preventing unwanted write access outside the bottom 4 M bytes.

Address decoding within the bottom 4 M bytes is performed by allowing NCAS to selected banks only. This is performed by IC14 and IC27 and address bits A17 to A21 according to the following table. With 64k(256k) bit DRAMs installed:

<u>A17(A19)</u>	<u>A18(A20)</u>	<u>A19(A21)</u>	<u>NCAS Selected</u>
0	0	0	CAS 0 High+Low
0	0	1	CAS 1 High+Low
0	1	0	CAS 2 High+Low
0	1	1	CAS 3 High+Low
1	0	0	CAS 4 High+Low
1	0	1	CAS 5 High+Low
1	1	0	CAS 6 High+Low
1	1	1	CAS 7 High+Low

The High and low byte NCAS signals are further conditioned by address bit A0 and High Byte Enable (NHBE). NHBE is used when accessing Bytes and Words located at ODD addresses (Note. An ODD word requires two memory cycles).

The following categories apply:

<u>Category</u>	<u>NHBE</u>	<u>A0</u>	<u>NCAS's enabled</u>
Even Byte	1	0	Low byte enabled
Odd Byte	0	1	High byte enabled
Even Word	0	0	Both bytes enabled
Odd Word:			
Odd Byte	0	1	High byte enabled
Followed by			
Even Byte	1	0	Low byte enabled

Other categories for Even/Odd Double Word and Quad accesses exist but are merely a repetition of the above accesses. For more information see NS data sheets for the 32016.

NRAS plays no part in the address decoding scheme and all RAM devices are RASed on every access. Note this has no effect on the RAMs other than causing the addressed location to be refreshed.

The top 1 M byte is loosely decoded by 1C7 to provide chip select signals for the tube (NTUBE), The configuration links (NCONFIG), and the EPROM (NHPPROM). See the previous section on the address map for the correct addresses.

5.3.7 Memory driver Bank

In order to drive the large number of DRAMs (128) an array of buffers is required in this design the buffers also multiplex RAS, CAS and Refresh address bits onto the DRAM address pins. Each 1 M byte bank has been provided with its own set of buffers (ie RAS1,CAS1, and RFSH1). RAS addresses are taken from bits A1 to A8, CAS addresses are taken from bits A9 to A16 and refresh addresses are supplied by an eight bit counter - IC45. Line termination resistors (33 Ohms) are used to reduce reflections on the address lines caused by the high capacitance of the Drams and long length of these tracks. The 9th row and column address bit required by 256k bit DRAMs is provided by IC28 and is A18 during RAS and A11 during CAS.

5.3.8 Refresh

Refresh is performed by inserting wait states into the memory cycle, enabling the refresh address counter (IC45) onto the bus and giving RAS (Known as "RAS only" refresh). IC33 is a binary counter which counts CTTL cycles and generates a refresh cycle every 16µS approximately. The RAS timing for this cycle is provided by the sequencer/shift-register based around IC20 and IC34. If a memory cycle is in progress when the refresh access starts it is delayed by NCWAIT and restarted when the refresh cycle ends.

5.3.9 Interrupts

The only source of interrupts is the TUBE so there was no need to use an Interrupt Control Unit (ICU NS32202) in this design.

Additional protection against synchronisation failure is provided by latching NPIRQ and NPNMI on the rising edge of CTTL in IC183 before feeding the interrupts to the processor.

IC182 is a programmable device which implements a simple state machine and is used to prevent interrupts from occurring during and just after certain instruction sequences. This device is only necessary when some revisions of the Memory Manager are used and is bypassed by links LK CNM and LK NMI when not required.

5.4 Memory access cycles

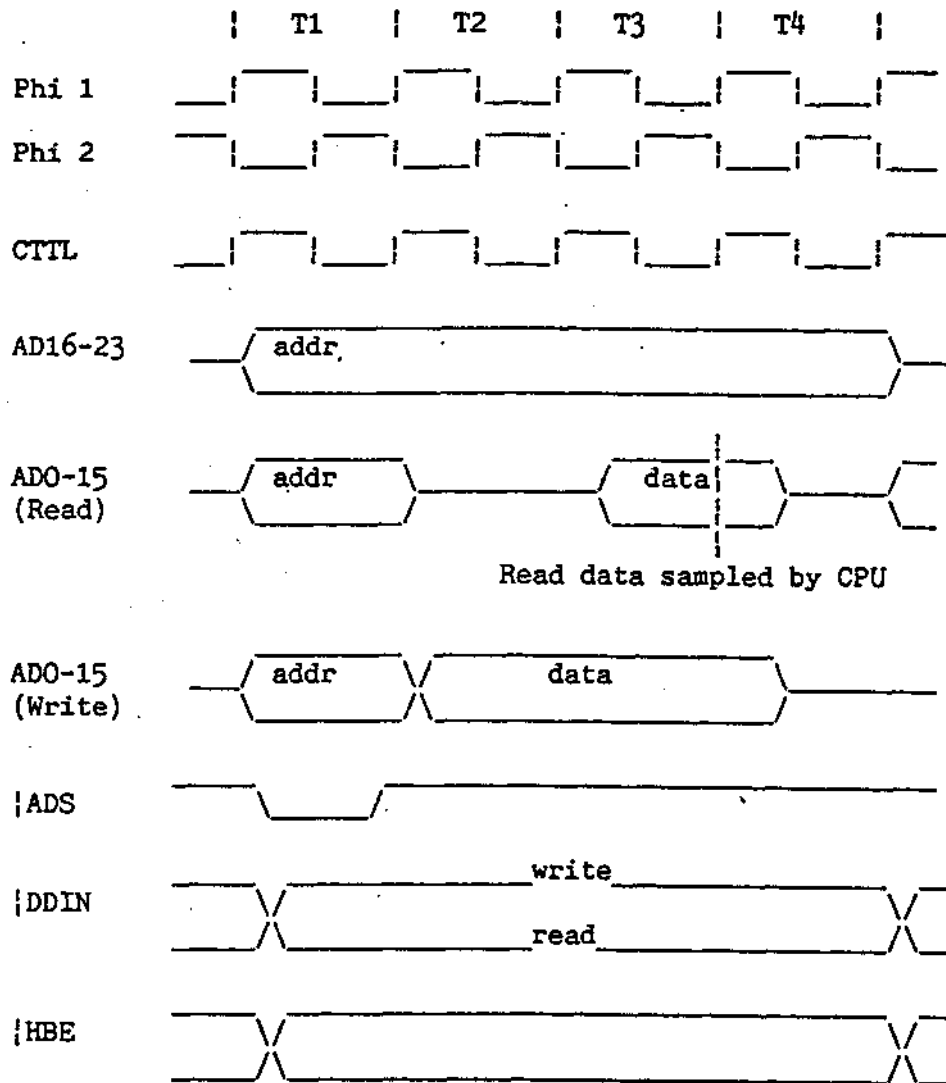
5.4.1 Memory access cycle without MMU

Non memory managed bus cycles are shown in Figure 5.4.1.

A memory cycle is initiated by the processor putting an address on the AD bus and pulling Address Strobe (NADS) low. While NADS is low the address de-multiplexing latch (IC8,9 -LS373) is transparent and the address passed through to address decoding logic (IC7 -LS138) and memory driver banks. When NADS returns high the address is held in the de-multiplexing latch.

Note: It is not necessary to latch the top eight address bits as they remain valid during the entire bus cycle.

Figure 5.4.1. Non-Memory Managed Bus Cycle



5.4.2 Row address (RAS Cycle)

While NRAS is false (HI) the RAS driver bank is enabled and the upper 9bits are supplied to the DRAMs. In response to NADS going low the TCU after one cycle generates NTSO. This in turn causes NRAS to go low and the row address is strobed into the DRAMs.

5.4.3 Column address (CAS Cycle)

NRAS going low turns off the row address buffers (=2122,25,26) and turns on the column address buffers (IC35,36,37,38). The delay through 1050 (Pins 1,2,3) and IC24 (Pins 11,10) provides the necessary 15ns Row address hold time required by the DRAMs. NTSO low releases the set input of IC15 and allows the next CTTL edge to generate CASTIME. If the address is within the bottom 4 M bytes (A22,A23 = 0) then NCAS is pulled low and the Column address is strobed into the DRAMs.

5.4.4 Read/write

The direction of the memory access (Read or Write) is signaled to the TCU by Data Direction In (NDDIN) and it is the TCU that generates READ (NRD) or WRITE (NWR) accordingly. NWR is buffered and distributed to all DRAMs by IC40. NDDIN is used to select the direction of the data bus buffers IC12 and IC13, and NRD is used to drive the TUBE and EPROM.

5.4.5 Data validity

During a read cycle the processor expects the data returned from memory to be valid before the end of PHI2 during NTSO low.

During a write cycle the processor provides valid data during NWR low. **5.4.**

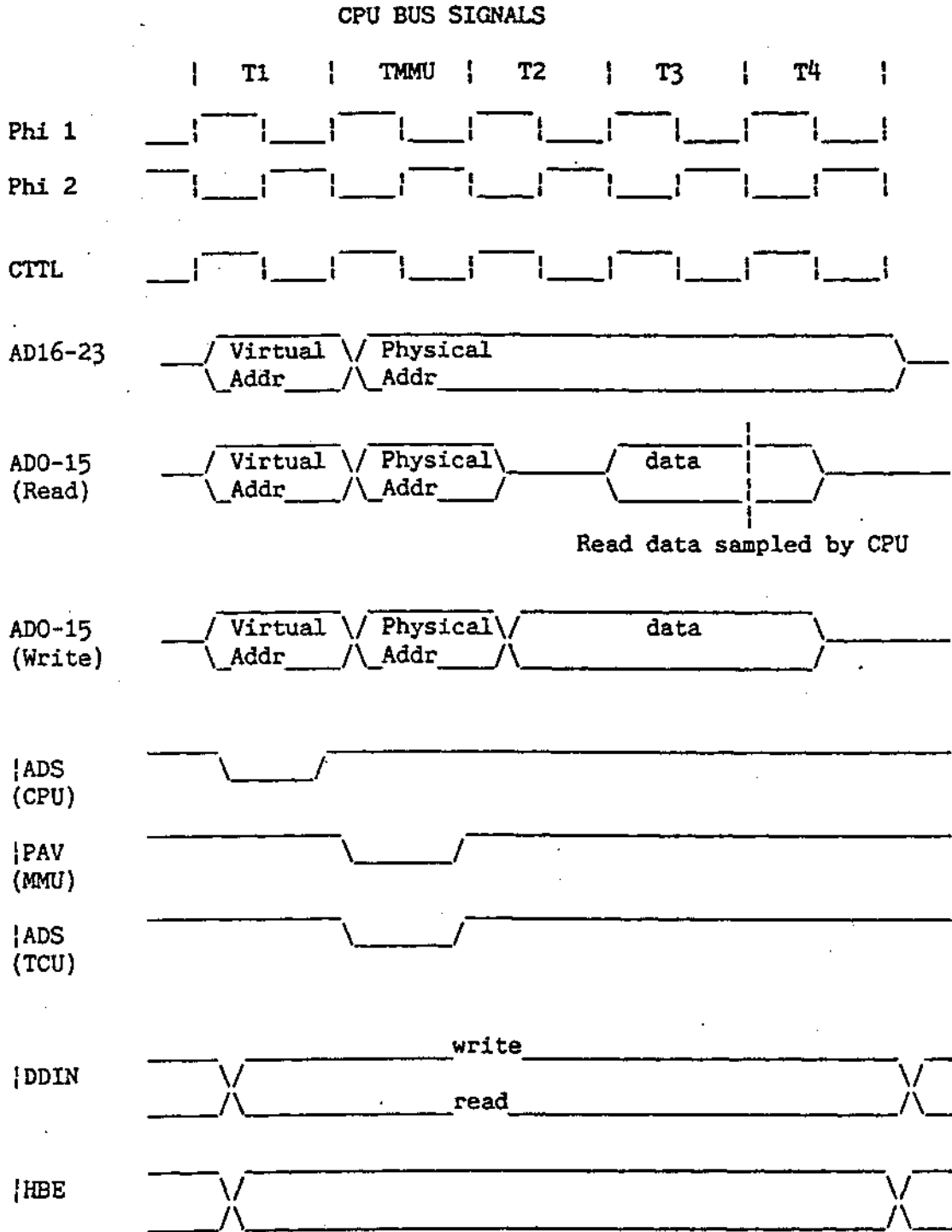
6 Memory access cycles with MMU.

Memory managed cycles are shown in Figure 5.4.6.

In this case the processor places a VIRTUAL address on the AD bus and NADS from the processor is used to strobe the address into the MMU. The MMU uses an internal translation table to "look-up" the corresponding PHYSICAL address which it places on the AD bus one cycle later. NPAV from the MMU looks to the TCU like NADS from the processor and the memory access then continues in the same way as the non-memory managed case but one cycle late.

The memory manager maintains its internal translation table (Cache) without intervention from the processor. If the table entry required is not held in the MMU it is fetched from the larger page table in main memory. In this case the CPU memory cycle is paused while the MMU updates its table entry using a normal memory access cycle. If the MMU detects an illegal access or an access to an address which does not reside in RAM a trap will occur and the trap handling mechanism of the 32016 will be invoked. For a more detailed description of the MMU and its function refer to NS32082 data sheets.

Figure 5.4.6 Memory Managed Bus Cycle



5.5 Links

5.5.1 Configuration

These are read by software on power-up and indicate the presence or absence of optional hardware (ie FPU or MMU). The links have one side connected to 0V the other side is pulled high by resistors and can be read onto the AD bus through 1C30. A link installed indicates:

S1	No FPU	S5	RSVD
S2	No MMU	S6	RSVD
S3	RSVD	S7	RSVD
S4	RSVD	S8	RSVD

5.5.2 Other links

The printed circuit board should be viewed with the TUBE ribbon cable socket at the BOTTOM LEFT while reading this subsection.

LK1	Tube power (Maybe replaced by wire mod.) [Link Ctr. & RH pins]
LK2	Reset [Links reset back to host processor. Not installed in ACW]
ML1	MMU NADS->NPAV (Link if MMU not installed)
ML2	MMU NHLDAI->NHLDAO [Link if MMU not installed]
C1RC1R PAL bypass	[Link if TBP24510 1C182 not installed]
CNM	CNM PAL bypass [Link if TBP24510 IC182 not installed]
MLW1A	Wait state on all RAM cycles [Link if Xtal is > 16Mhz]
MLW1B	Wait state on all EPROM/ROM cycles [No link required]
S12 Refresh rate	[Link "b" = 4mS (normal) at 8 Mhtz]
S13 EPROM size	[Link middle & lower pins for 16K byte EPROMs]
S14 RAM Chip size	[Right hand pair = 64k , Left hand pair = 256k]
S15 RAM Chip size	[Right hand pair = 64k , Left hand pair = 256k]
S16 RAM CHIP size	[Left hand pair = 64k , Right hand pair = 256k] PL3
&	
PL3A	Alternative positions for TUBE disable wire from Keyboard

5.6 Expansion instructions

5.6.1 Memory

All PRODUCTION ACW443s are supplied with 4 M Bytes RAM installed.

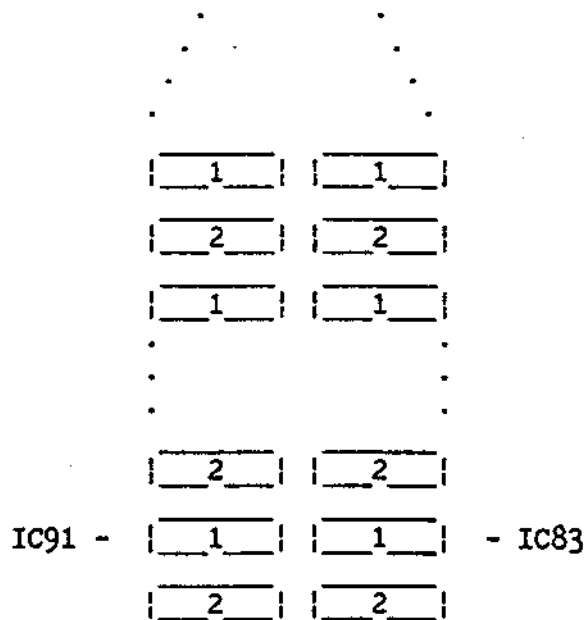
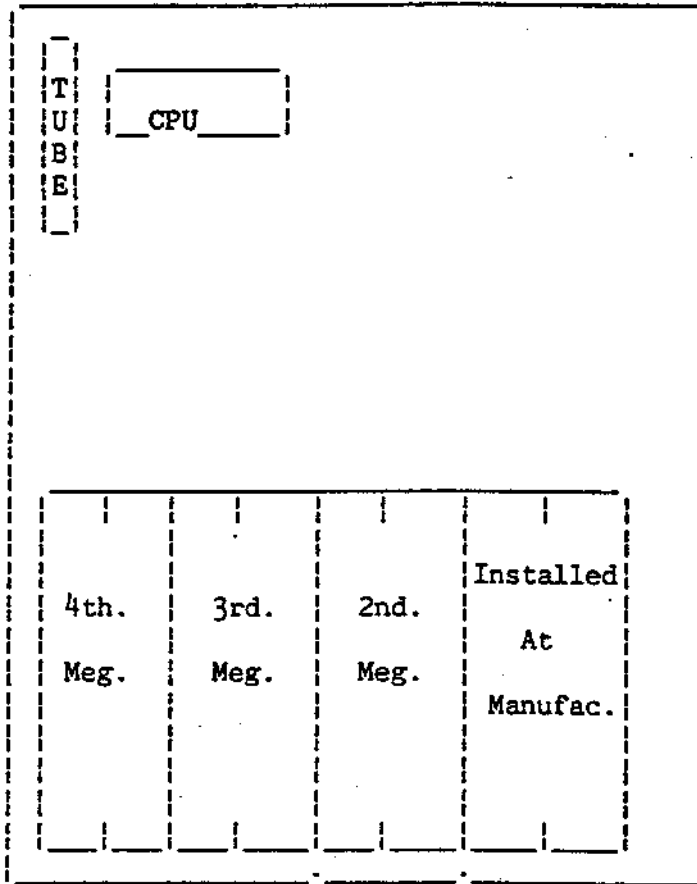
The memory upgrade kit contains sixteen 256k bit DRAMs which have an access time of 150nS.

The memory must be expanded contiguously, there must be no gaps in the address map. To do this the upgrade kits must be inserted in the order shown in Figure 5.6.1 - The first 512K upgrade inserted into sockets "1" in the figure. (This corresponds to 1C83 - IC98 on an Issue 1 board).

IMPORTANT

It is strongly advised that DRAMs from different manufacturers are NOT mixed within the same 1 M byte bank, as the noise immunity of some makes of DRAM can be impaired.

Figure 5.6.1 Memory Upgrade Order



5.6.2 Changing ROMS

Pandora ROMS are fitted in two 28 way sockets next to the 40 way IDC cable. The new ROMS must be fitted in the same direction as the old.

The HIGH Pandora ROM is fitted next to the 40 way TUBE connector.

5.6.3 Memory manager

Not yet available.

5.7 Fault finding

WARNING

Be extremely careful when extracting the 32016 Processor from its socket; it is easy to crack the ceramic package and this IC is expensive.

The 32016 5V power supply must be 5.00V and no less, as measured on BOTH sets of Faston connectors. The DC power supply to this PCB should always be checked before and after servicing. If less than 5.00V it is essential that the power supply be adjusted. In so doing, it is possible that a +12V supply related to the processor's +5V supply will slightly exceed 12V. This will not matter, since the particular 12V supply in question powers the stepper motors of the disc drives and does not supply any voltage-sensitive components.

5.7.1 Equipment Required.

The 4M byte 32016 processor is the main processor of the ACW; however a BBC Microcomputer can be used as a test station if it is not convenient to test the board using the ACW.

In this case the following equipment is required:

- (a) U.K. BBC Micro Model B (with disc interface).
- (b) An 80 track single disc drive.
- (c) A 40 way ribbon cable.
- (d) Colour/Monochrome monitor.
- (e) A regulated bench power supply (5V,10A).

The minimum test equipment needed in order to trace a fault is a digital multimeter and an oscilloscope. The oscilloscope should have at least two traces and two timebases, and should have a bandwidth of around 50MHz or higher.

5.7.2 Fault Isolation

There are a number of simple tests which you can use to establish whether the hardware is working at all.

5.7.3 Visual Check

First perform a visual inspection of the printed circuit board, check that all external connections (TUBE ribbon cable and the power leads) are secure and in good condition. Check that no foreign objects (washers etc.) have found their way onto the board. Also check that the EPROMs and Molex links are inserted correctly.

5.7.4 Power Supply

Make sure that power is getting to the board by checking the +5v supply line using a DVM across the Faston connectors).

5.7.5 Timing Signals

NOTE: The program found in the appendix will be invaluable *as an aid to fault finding* when using an oscilloscope.

CLOCKS: Check for the presence of the clock signals XCTL1, PHI1, PHI2 and MTh (pins 13, 11, 10 and 16 on the TCU). These may be checked against the Fig.2.

The TCU generates all system clocks from the double frequency crystal XCTL (FCLK is a buffered version of XCTL). The two clocks PHI I and PHI2 should have rising edges on alternate rising edges of FCLK. CIL is just a TTL compatible version of PHI1.

Check that these key clock signals arrive at *the* CPU and FPU where appropriate.

RESET: Check that the system reset is functional by following the sequence of events described in the preceding text as follows. While alternately pressing and releasing the break key check for activity on:

HRST - Host Reset -	Pin	20,	
IC1			
PRST - Parasite Reset -	Pin	37,	
IC1			
RSTI - Reset in (TCU) -	Pin	7,	
IC32			
RSTO - Reset out (TCU) -	Pin	8,	
IC32			
RSTO -	- Pin 34,		IC31
RSTO -	- Pin 15,		IC2

All these signals should go low and rise again when the BREAK key is released.

5.7.6 Processor Signals

NADS: The lower sixteen lines of the bus are multiplexed address/data lines.

The address strobe line, ADS, goes low for approx. a half cycle of PHI1 at the beginning of each bus cycle - indicating a valid address is present on A0-A15. For example when the CPU is executing reads there will be a pulse on ADS (pin 6 of the TCU) approximately every four clock cycles. The activity on the ADS pin should be checked for as it indicates that the CPU is attempting to access the outside world and is not completely dead.

NDDIN: This indicates to the TCU the direction of data on the data bus (ie low indicates data in -read, hi indicates data out - write). Check for activity on this pin. In response to NDDIN the TCU generates Read - NRD Pin 3, IC4 and Write - NWR Pin 4, IC4. Check for activity on these pins.

NPFS: Program Flow Status. This pin (active low) gives a pulse every time a new instruction begins execution. A stream of pulses on PFS (pin 39) is a good indication that the processor is executing instructions. If not, check the reset and clock signals and if these are satisfactory then the processor is probably at fault.

NIRQ: The maskable interrupt line is used whenever information is passed down the tube. It is a bit difficult to get this line active during testing unless you have special test software to run on the 32016 and the machine is in a fit state to run it.

WR/RD: On starting-up Pandora the processor attempts to work out the memory size which is then written out through the tube with a start-up message. All this activity should be detectable by monitoring WR and RD at various points on the board.

5.7.7 Boot (start-up) Sequence

The Boot sequence is described in the preceeding text. Having checked that the reset system is operational it is worth examining the signal "BOOTING" which can be found on Pin 6, 1C15. This signal is low for a very short period after reset (one or two instructions) and then remains high until the next reset. If this signal is correct it indicates that the processor is able to fetch and execute the first few instructions in the EPROM, and usually the fault is elsewhere.

5.7.8 Tube Signals

After reset the processor should output a message similar to:

```
PANDORA 32016 version X.XX

Memory size a 4096 kilobytes

Acorn ADFS

*
```

OR

```
PANDORA 32000 2.00      4096 KB

Acorn ADFS

*
```

This message is passed through the TUBE by the processor. While this message is being transferal there should be activity on the TUBE chip select Pin 21, 1C1. If this message is displayed there is a good chance that the tube and processor are functioning.

5.7.9 Floating Point Faults

If the floating point chip is faulty it will usually show up in one of two ways: It will either not respond when asked to perform floating point arithmetic, or will (more rarely) give the wrong answer.

In the first case the processor may appear dead because PANDORA checks for the presence of an FPU if the configuration links say there should be one. A quick test would be to remove the FPU configuration link and press BREAK. If the Coprocessor now works the FPU is at Fault.

The second case is difficult to diagnose as the symptoms can appear unrelated to the FPU. The best method of identifying this type of fault is by replacing the suspect FPU with a known good device.

The FPU test supplied with some versions of the program is very simple and unlikely to detect faults of the second kind.

5.7.10 Memory Faults

Most common faults will be concerned with memory and/or the incorrect installation of memory upgrade kits. To aid fault finding an EPROM or 80 TRACK DISC based memory test program is available to authorised service agents and production sites (See appendix H for the reference number). This program is designed to help quickly identify faults in the memory system, and can be used to check that memory upgrades have been installed correctly.

The symptoms of memory failure are varied and include

- (a) Pandora's start-up message incorrectly states the memory size.
- (b) Some small programs will run but not other larger ones.
- (c) A program will not run with an editor loaded.
- (d) Random corruption of files loaded into memory.

The disc based version can be run by inserting the disc in the drive and pressing SHIFT+D while pressing and releasing BREAK. (A !Boot file is provided). The disc version requires some 32016 memory itself and so is only useful for testing the memory of an assembled ACW where it is inconvenient to change the 32016 card ROMs.

The program is also available on two EPROMs which are temporarily inserted in place of the two Pandora EPROMs installed during manufacture. This must be done with the power to the unit switched off or disconnected, and with some care as damage will result from incorrect insertion.

The program writes a fixed pattern into *memory* and then reads it back checking each word in turn. The pattern written into memory is cycled Hex 21 times because memory faults are often "pattern-sensitive". This is the main reason that all memory test programs take a long time to run, in this case approximately 20 mins to test 4 Mbytes (Proportionally less for smaller machines).

On start-up a menu similar to Table 10 should be displayed:

You should then press a key between 0 and 7 according to the size of memory installed. Eg. pressing "2" for 1.5 M byte produces:

Select: Testing 1.5 M Bytes

Cycle - XX

The "Cycle - XX" message gives an indication of how far the test program has got. The test takes Hex 21 cycles. If a mistake is made in selecting the memory size, then it is quite in order to press BREAK and re-start the program.

Examples of various faults and their corresponding error reports are given in the appendix.

32016 Test Programs (V2.0)

Key	Test
0	Walking 16 bit memory test (0.5 M bytes)
1	Walking 16 bit memory test (1 M bytes)
2	Walking 16 bit memory test (1.5 M bytes)
3	Walking 16 bit memory test (2 M bytes)
4	Walking 16 bit memory test (2.5 M bytes)
5	Walking 16 bit memory test (3 M bytes)
6	Walking 16 bit memory test (3.5 M bytes)
7	Walking 16 bit memory test (4 M bytes)
8	Refresh test
9	Floating Point Unit (FPU) test

Select:

Table 10: 32000 Memory Test Program

6. Winchester and Floppy Disc Systems

6.1 Introduction

A 20Mbyte Winchester half-height disc unit and a doubly-sided 80-track 5.25 floppy disc unit are fitted to the ACW443.

The use of the disc drives is introduced in the ACW *Welcome Guide*, supplied with the machine, and details for formatting both the floppy discs and the Winchester disc are given in the appendix.

To ensure trouble-free operation of the disc drives, the ACW should not be exposed to excessive heat, moisture, direct sunlight or very dusty conditions.

WARNING

A number of components within the left-hand tray of the ACW (ADAPTEC PCB and Host Adaptor PCB) are **STATIC SENSITIVE**. It is possible that these components may be damaged if subjected to a *static* discharge. To minimise this risk please ensure that the ACW is isolated from the mains power supply before attempting to access the components tray. Avoid contact with the components of the PCBs except where necessary to perform the exchange of faulty components.

6.2 Floppy Disc Drive

The floppy disc unit is not a servicable item, and in the event of its failure it should be replaced by a new or reconditioned unit. The floppy disc interface is contained on the I/O processor board, and the relevant section of the manual should be consulted if the interface is suspected to be faulty.

Mitsubishi drives are fitted with an adaptor plate which should be removed from a faulty drive and refitted to its replacement.

6.3 Winchester Drive

The Winchester unit consists of a 20 Mbyte hard disc drive, an ADAPTEC ACB-4000 Winchester Disc Controller, and an Acorn Host Adapter Board which is an interface between the ACB-4000 and the ACW control PCB's 1 MHz expansion bus to provide storage and retrieval of data and programs on a non-removable magnetic disc.

The Winchester Disc Unit is to the left of the ACW floppy disc drive, viewed from the front. The control electronics are accommodated in the left-hand side-tray assembly.

IMPORTANT

After using the ACW, the heads should be moved to the Landing zone before switching off the mains power. The exact command that needs to be used to park the heads will depend on which program is in control.

Chapter 6

For instance:

(1) From PANOS (-> or user defined prompt:

-> Logoff ADFS: (RTN)

-> .Quit

Turn off Power.

(2) From PANDORA (* prompt)

*ADFS (RTN)

*BYE RTN

Turn off Power.

(3) From BASIC (> prompt)

> *ADFS (RTN)>

*BYE (RTN) Turn

off Power

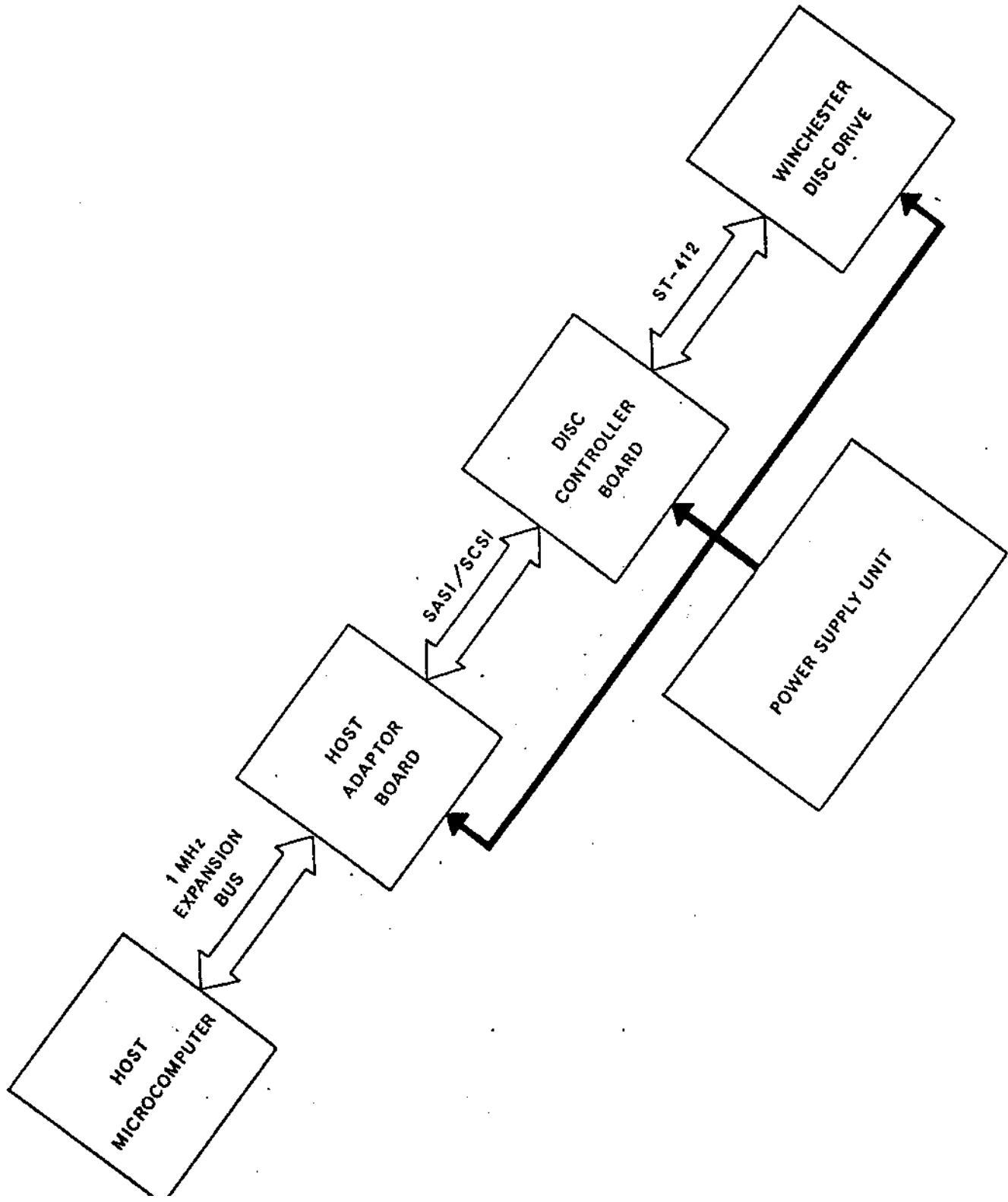
(4) From UNKNOWN or IF 1N DOUBT

Pressing (CTRL)(BREAK)

together, will return to a prompt then follow one of the above depending on the prompt.

If anything is typed after parking the Winchester heads, in particular (BREAK) or *ADFS there will be a pause while the Winchester mechanism winds in the heads.

Figure 6.3.0 Winchester Disc System



6.3.1 Servicable parts

The only dealer-serviceable part of the Winchester Disc unit is the Host Adapter printed circuit board. Faults detected in the disc drive, disc controller board, mean that the faulty part must either be returned for repair or replaced. Dealers may hold stock of these items and should refer to information provided by their supplier for service procedures for these units.

6.4 Specification

6.4.1 Disc drive

Capacity	20M formatted
Format	ADAPTEC 33 sectors of 256 bytes
Cylinders	612
Heads	4
Disc rpm	3600

6.4.2 ADAPTEC ACB-4000/A Winchester disc controller

Disc interface ST-412

Host interface SCSI

6.4.3 Host Adapter

SCSI to 1 MHz expansion bus

6.4.4 Disassembly and assembly

Removal and re-assembly of the Winchester drive is explained in section 2.4.

WARNING

When the ACW Winchester Disc drive is removed for service work, great care must be taken not to drop, jar or shock the unit in any way. Under no circumstances should the drive itself be opened to expose the head mechanism, this can only be done by the manufacturer in a special ultra clean room.

6.5 Circuit description

The only part of the Winchester Disc system which is serviceable by Acorn dealers is the Host Adapter PCB (see appendix for circuit diagram) and its connectors and cables etc. This is an interface between the asynchronous SCSI interface to the disc controller board, and the synchronous 1MHz expansion bus interface on the host microcomputer used by the Winchester Disc filing system. The following circuit description will provide enough information about the disc controller board and the 1MHz expansion bus to allow a full understanding of the operation of the Host Adapter board. For the full specification of the SCSI interface see the relevant literature.

6.5.1 The disc controller board

The disc controller used in the Winchester Disc unit is a device which will send or accept parallel (byte) data to or from the host microcomputer (via 1MHz bus and Host Adapter), and will read or write this data serially to or from the hard disc. It contains a 256 byte cache memory (hereafter referred to as the "sector memory" because 1 disc sector = 256 bytes). A connection diagram for the disc controller board is given in figure 3 below.

In the following description, the Host Adapter is known as the "initiator", and the disc controller is known as the "target".

6.5.2 SCSI control and data lines

The 8 control and 8 data lines on the SCSI side of the controller (shown on the right side of the Host Adapter circuit diagram in the appendix) are all active-low open collector, and are as follows:

SELECT (SEL, pin 44) is an open collector signal which is asserted by the initiator as the first step in any transfer of data through the interface.

BUSY (BSY, pin 36) is an open collector signal which is asserted by the target to indicate that the data bus is in use. This is the first response of the target to the initiator's assertion of SEL, and the SEL/BSY handshake is the first communication in any Winchester filing system operation.

CONTROL/DATA (C/D, pin 46) is asserted by the target when the bus carries control information, and is deasserted when the bus carries data.

INPUT/OUTPUT (I/O, pin 50) controls the direction of data flow, and is asserted by the target to indicate input to the initiator (disc to computer), and is deasserted to indicate output to the target (computer to disc).

REQUEST (REQ, pin 48) is asserted by the target to indicate a request for a REQ/ACK data transfer handshake.

ACKNOWLEDGE (ACK, pin 38) is asserted by the initiator to indicate acknowledgement of a REQ/ACK data transfer handshake. The REQ/ACK handshake provides the asynchronous timing of all data transfer between initiator and target.

RESET (RST, pin 40) is asserted by the initiator on power-up and when the host microcomputer's BREAK key is pressed. It causes the "reset condition" (see 5.1.3) which immediately clears the bus and resets the system.

MESSAGE (MSG, pin 42) is asserted by the target when it issues a message byte to notify completion of a command, see 5.1.2.

DATA BUS (DB0 to DB7, pins 2 4 6 8 10 12 14 and 16) is a parallel data bus consisting of 8 signals from DB0 (least significant) to DB7 (most significant). 1 byte of information is transferred across the bus with each REQ/ACK handshake. It is important to remember that the data lines are active-low and therefore are inverted in both directions when communicating with the host microcomputer.

All odd numbered pins are 0V, and pin 34 is +5V.

SCSI connector pinout (PL2 and J4)

	Pin no.	
0V 1	2	DB0
0V 3	4	DB1
0V 5	6	DB2
0V 7	8	DB3
0V 9	10	DB4
0V 11	12	DB5
0V 13	14	DB6
0V 15	16	DB7
0V 17	18	}
0V 19	20	}
0V 21	22	}
0V 23	24	} For future expansion
0V 25	26	}
0V 27	28	}
0V 29	30	}
0V 31	32	}
0V 33	34	+5V to supply test equipment
0V 35	36	BSY
0V 37	38	ACK
0V 39	40	RST
0V 41	42	MSG
0V 43	44	SEL
0V 45	46	C/D
0V 47	48	REQ
0V 49	50	I/O

6.5.3 Bus phases

The bus has several distinct operational phases and cannot be in more than one of these phases at any given time.

Bus phases occur in a prescribed sequence. The reset condition can interrupt any phase and is always followed by bus free. Any other phase can also be followed by the bus free phase.

The prescribed sequence is from bus *free* to selection to one or more of the information transfer phases to bus free again.

There are no restrictions on the order of information transfer phases, and a phase will often follow itself, eg two data phases one after the other.

A typical sequence would be:

- bus free
- select controller - selection phase
- transfer command bytes - command phase
- transfer data bytes (if necessary) - data in/out phase
- status phase
- message phase

The phases are as follows:

Bus free phase: indicates that the bus is available for use. The bus free phase is indicated by all control signals described in section 6.5.2 being deasserted. If SEL and BSY and RST are not asserted, that is sufficient to guarantee bus free.

Selection phase: allows the initiator to select the target. After detecting bus free, the initiator asserts SEL. The target detects SEL asserted, and BSY and I/O deasserted, and responds by asserting BSY. The initiator deasserts SEL and may then change the data signals.

Information transfer phases: allow transfer of information across the bus. There are several different types of information transfer phase, and the type is determined by MSG, C/D and I/O. Table 1 shows the information transfer phases:

SIGNALS				DIRECTION OF
MSG	C/D	I/O	PHASE NAME	INFORMATION TRANSFER
1	1	1	data out phase	initiator to target
1	1	0	data in phase	target to initiator
1	0	1	command phase	initiator to target
1	0	0	status phase	target to initiator
0	0	1	message out phase	initiator to target (not used)
0	0	0	message in phase	target to initiator

All signals active-low: 0=assertion
1=deassertion

Table II: Information Transfer Phases

The information transfer phases use the REQ/ACK handshake to control information transfer: each REQ/ACK allows the transfer of 1 byte. The handshake sequence is:

- (1) Target asserts REQ to request data transfer
- (2) Initiator asserts ACK when data is valid on bus
- (3) Target deasserts REQ when data has been transferred
- (4) Initiator deasserts ACK ready for next handshake

Prior to and during information transfer, the I/O signal determines the direction of the transfer as can be seen in Table II.

Before each information transfer phase the target will set up the MSG, C/D and I/O lines in such a way that these control signals are stable for 450ns before the REQ of the first handshake, and remain valid until the deassertion of ACK at the end of the last handshake.

During each information transfer phase the BSY line remains asserted and SEL deasserted.

Each information transfer phase is as follows:

Command phase: allows the initiator to direct the subsequent action of the target by transferring command bytes. The target asserts C/D and asserts MSG and I/O.

Status phase: allows the initiator to read the target's status information. The target asserts C/D and I/O and deasserts MSG.

Chapter 6

Data out phase: allows data to be transferred from initiator to target. The target deasserts MSG, C/D and I/O.

Data in phase: allows data to be transferred from target to initiator. The target asserts I/O and deasserts MSG and C/D.

Message out phase: not used by the system - available for future expansion.

Message in phase: allows the target to send a message byte to notify completion of a command. **6.5.4**

The reset condition

The reset condition is caused by the assertion of RST, and immediately clears the bus and resets the system. Regardless of the prior bus phase, the bus resets to the bus free phase. The Winchester controller reads the drive's parameters off the disc.

Reset can occur at any time and takes precedence over all other phases and conditions. In practice it occurs on power-up or when the BREAK key is pressed.

6.5.5 The ST-412 disc interface connector pinouts (J2 and J0)

The disc controller board communicates with the Winchester disc via two connectors: J2 carries control information, and J0 carries data. J1 is not used in this implementation, but is electrically identical to J0.

J2 Pin no

0V 1	2	READ/WRITE CURRENT HEAD 2 ³
0V 3	4	HEAD SELECT 2 ²
0V 5	6	WRITE GATE
0V 7	8	SEEK COMPLETE
0V 9	0	TRACK 0
0V 11	2	WRITE FAULT
0V 13	4	HEAD SELECT 2 ⁰
0V 15	6	RESERVED
0V 17	8	HEAD SELECT 2 ¹
0V 19	0	INDEX
0V 21	2	READY
0V 23	4	STEP
0V 25	6	DRIVE SELECT 1
0V 27	8	DRIVE SELECT 2
0V 29	0	DRIVE SELECT 3
0V 31	2	DRIVE SELECT 4
0V 33	4	DIRECTION IN

J0 Pin no

DRIVE SELECTED 1	2	0V
RESERVED 3	4	0V
RESERVED 5	6	0V
RESERVED 7	8	0V
RESERVED 9	10	RESERVED
0V 11	12	0V
+MFM .WRITE DATA 13	14	-MFM WRITE DATA
0V 15	16	0V
+MFM READ DATA 17	18	-MFM READ DATA
0V 19	20	0V

The read and write MFM data lines (pins 13 14 17 and 18 of J0) are differential signals.

6.6 The 1MHz expansion bus

The following is a description of the 1 MHz expansion bus signals used by the Winchester Disc Host Adapter, and their function as applied to the Winchester Disc system. For a full description of the 1MHz expansion bus see "138C Microcomputer Application Note Number 1 - 1MHz Bus", part number 0407,000, published by Acorn Computers Limited.

6.6.1 Control, address and data lines

1MHzE (system 1MHz, pin 4) is a continuously running 1MHz timing signal. During access to the 1MHz bus, the processor clock (normally 2MHz) is stretched so that the trailing edges of 1MHzE and the processor clock are synchronised.

R/NW (read/not-write, pin 2) is the system read/write line.

N1RQ (not-IRQ, pin 8) is the interrupt request line which is open collector and asserted by a device pulling it low. 1RQ is level triggered active-low.

NRST (not-reset, pin 14) is output only active-low system reset line. It is active on power-up and when the BREAK key is pressed.

NPGFC (not-page &FC, pin 10) is a signal decoded from the top 8 system address lines (A8 to A15). NPGFC is an active-low signal which is low when the address high byte is &FC, ie when the full address is &FC00 to &FCFF. Four locations in this range are used by the Winchester system: &FC40 to &FC43 inclusive, see Table 5 in section 4.2.12.

A0 to A7 (address low, pins 27 to 34) are the bottom 8 system address lines.

D0 to D7 (system data bus) are the bi-directional data lines. Direction determined by R/NW. The data lines are buffered, and the buffer enabled only when NPGFC is active.

Pins 1 3 5 7 9 11 13 15 17 and 26 are 0V.

6.6.2 I/O Processor 1MHz Bus Connector pinout

Pin No	
0V 1	2 R/NW
0V 3	4 1MHzE
0V 5	6 For other applications
0V 7	8 NIRQ
0V 9	10 NPGFC
0V 11	12 For other applications
0V 13	14 NRST
0V 15	16 For other applications
0V 17	18 D0
D1 19	20 D2
D3 21	22 D4
D5 23	24 D6
D7 25	26 0V
A0 27	28 A1
A2 29	30 A3
A4 31	32 A5
A6 33	34 A7

6.7 Winchester Disc Host Adapter

In conjunction with the following description, reference should be made to the Winchester Disc Host Adapter circuit diagram in the Appendix.

The Winchester Disc Host Adapter is an interface between the SASI/SCSI interface and the 1MHz expansion bus. It consists of address decoding and handshake control, buffering of the signals in either direction, and termination.

6.7.1 Address decoding and handshaking

The Host Adapter decodes 4 locations in the host microcomputer's page FC I/O space. These four locations are as follows:

Address Read Write

```

&FC40    data    data    (direction determined by R/NW)
&FC41    status  -
&FC42    select
&FC43    enable  IRQ

```

Page FC is decoded in the host microcomputer and this is available to the Host Adapter as NPGFC (not-page FC). NPGFC is synchronised with 1MHzE by the de-glitch circuit (half of IC10) and the clean signal is labelled CNPGFC (pin 5, IC10).

The low order address lines A0 to A7 are buffered through IC5.

IC6, a 3 to 8 line decoder with three enable inputs, decodes the low order addresses &40 to &43, ie output pin 15 goes low when the low order address is &40, &41, &42 or &43.

IC7 is another 3 to 8 line decoder which takes the output from 106 and CNPGFC and 1MHzE as enable inputs. The 2 least significant address bits A0 and A1 are decoded along with R/NW into the required 5 separate signals shown above.

```

Y0 (pin 15) is read data (R/NW = 1) Y4
(pin 11) is write data (R/NW = 0) Y1 (
pin 14) is status
Y6 (pin 9) is select
Y7 (pin 7) is enable 1RQ

```

All these outputs are active-low.

When either of the two data transfer paths is selected (Y0 or Y4) an ACK signal is generated by clocking a D-type flip-flop (half of IC11). This flip-flop is cleared direct from the REQ line, and thus the REQ/ACK handshake is facilitated.

The other half of IC11 facilitates the SEL/BSY handshake. The D-type is clocked by Y6 to generate select and is cleared by BSY.

When Y7 is selected, the least significant bit on the data bus (DO) is clocked into a D-type flip-flop (half of IC10). If this value is a I then the latch (2 NANDs of IC12) is enabled and an IRQ will be generated at the next falling edge of REQ. To disable interrupts Y7 is selected with a 0 on DO. IRQs are enabled only for a very short time (around 10ms) when ensuring a sequential file buffer.

6.7.2 Buffering

The data bus (D0 to D7 of host microcomputer, DB0 to DB7 of SCSI interface) is buffered in the write direction by an octal 3-state buffer ICI and an octal transparent latch (IC2). IC2 is enabled by Y4 of IC7 which is the write data signal, see 5.3.1. Because IC2 is a transparent latch, data will remain valid on the output side when the enable is deasserted. The outputs from IC2 are gated through 8 open collector NAND buffers which are enabled from the I/O control line of the SCS11 interface and which invert the bus signals. To write data across the Host Adapter requires that both R/NW = 0 and I/O = 1.

The data bus is buffered and inverted in the read direction by an octal 3-state inverting buffer which is enabled by Y0 of IC7 which is the read data signal, see previous subsection.

The control signals used by the SCSI interface are available for reading by the host microcomputer. They can be latched into IC4, an octal transparent latch, when it is enabled by Y1 of IC7. The control signals appear on the data bus in the following positions:

D0 MSG
D1 BSY
D2 0
D3 0
D4 NIRQ (see 5.3.1)
D5 REQ
D6 I/O
D7 C/D

All these control signals are inverted either by IC15 or IC9 prior to being latched, so all values read from the data bus are active high.

6.7.3 Termination

The Host Adapter PCB carries 4 resistor packs, RP1 to RP4, which are used for terminating the various buses and control lines.

RP1 terminates the SCS1 lines from the disc controller board.

IMPORTANT

RP2, RP3, and RP4 terminate the 1MHz bus lines and are fitted if the Winehester is the only peripheral on the 1MHz bus. If external peripherals are attached to the 1MHz Bus then these terminators should be removed and retained.

6.8 Test equipment and formatting

A BBC microcomputer system or ACW can be used as a test station.

IMPORTANT

The Winchester **MUST** be operated in a horizontal position.

Test Equipment

The test equipment which may be required is:

- (a) BBC Microcomputer model B or B+ (ACW I/O Processor), fitted with ADFS ROM.
- (b) Video Monitor
- (c) Floppy Disc Drive (see below)
- (d) Winehester Disc unit Under Test
- (e) Host adaptor PCB
- (f) Power supply

6.8.1 Formatting Drives

Before shipment, each Winchester Disc unit has a suite of utility programs stored on it, including a two copies of the formatter entitled "Superform", these can be found in directory FORMAT and are SUPERFORM and SUPERFORM I. Copies of this software are also supplied with the unit on a floppy disc called ACW Utilities Disc Acorn No. 2201,238.

Details on formatting are given in the appendix.

6.9 Fault finding

When the Winchester Disc unit is powered-up, the hard disc will spin up to speed in about 10 seconds. This process produces a rising pitch humming noise which means that the hard disc is spinning. Note that there is also noise from the ACW's cooling fans, but this noise is lower in pitch and does not take time to build up. If the disc is not spinning then check the power supply and connections.

6.9.1 Power supply

The three major components of the Winchester Disc unit - the disc drive, the disc controller board, and the Host Adapter board - are each powered from the ACW switch-mode power supply unit via the DC power distribution board.

black ground

red +5V

orange +12V

The power supply can be tested by measuring the +5 voltage between the black and red cables, and the +12 voltage between the black and orange cables. The allowable voltage ranges are as follows:

+5V (black and red) 4.9V to 5.2V

+12V (black and orange) 11.4V to 12.6V

These measurements should be made with all connectors in place.

Next measure the current drawn by each of the three components specified above from the +5V and +12V supplies. Two of the components are each supplied via a four-way plug-in connector, and the current measurement should be made in series with either the red cable (+5V) or the orange cable (+12V). The connections to the meter to do this must be made with the power switch off. The measurements must be made after power-up as some of the circuitry, when working correctly, will alter its current consumption with time as shown below. The current drawn by each component from each voltage rail should be as follows:

Winchester hard disc unit.

+5V around 1 to 1.5A

+12V up to 4.5A

Falling to around 2A when up to speed

Disk controller board.

+5V around 1.5A

+12V around 250mA

Host Adapter board.

+5V around 500mA

+12V zero (not used)

The above figures are approximate and will enable checks to be made for open/short circuits and malfunctioning components.

6.9.2 Address decoding

The easiest way to test the address decoding is to execute a program which accesses the relevant memory location.

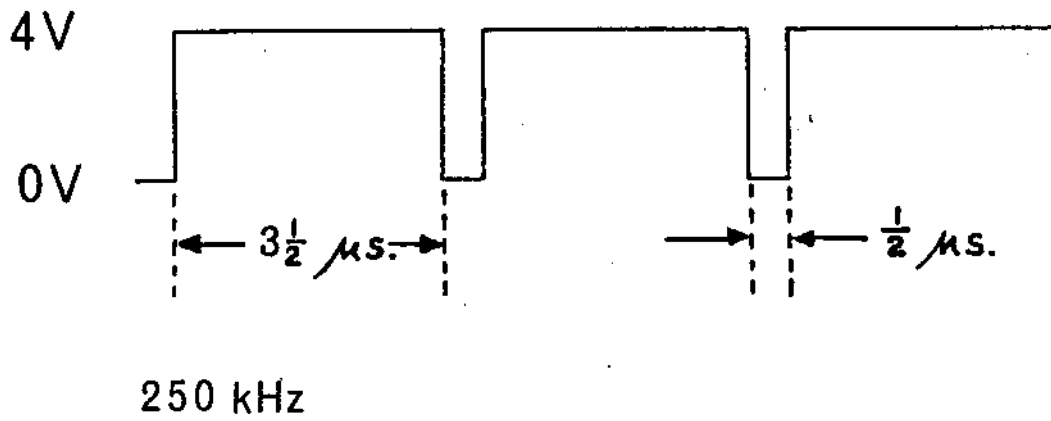
&FC40 read data

Run the following program:

```
10 DIM P% 10
20 [
30 .a
90 LDA &FC90
50 JMP a
60 ]
70 CALL a
```

Test pin 1 IC3 with a scope and check that the waveform is not stuck either high or low. It should look like the one shown in figure 6.9.2(a).

Figure 6.9.2(a) Waveform on Pin 1 IC3.



&FC40 write data

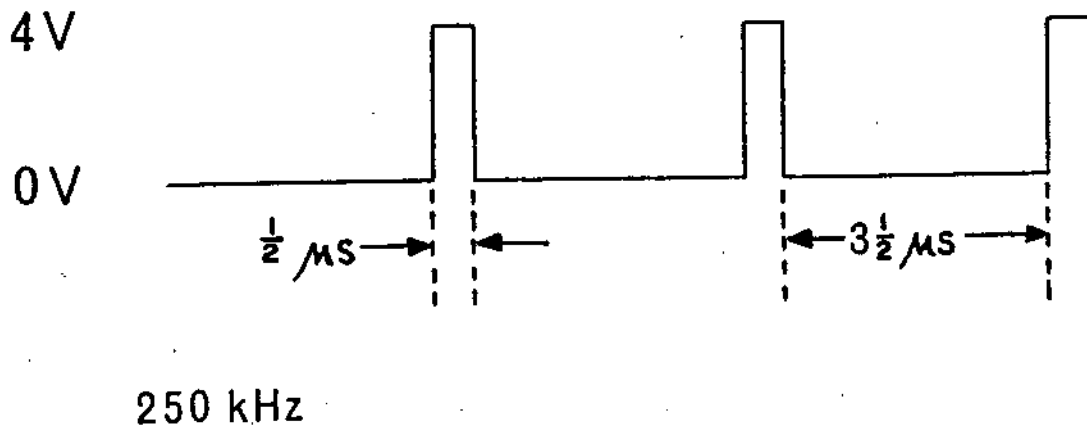
Run the following program:

```

10 DIM P% 10
20 [
30 .a
40 STA &FC40
50 JMP a
60 ]
70 CALL a
    
```

Test pin 11 IC2 with a scope and check that the waveform is not stuck either high or low. It should look like the one shown in figure 6.9.2(b).

Figure 6.9.2(b) Waveform on Pin 11 IC2.



&FC41 read status

Run the following program:

```
10 DIM P% 10
20 [
30 .a
40 LDA &FC41 50
   JMP a
60 ]
70 CALL a
```

Test pin 1 1C4 with a scope and check that the waveform is not stuck either high or low. It should look like the one shown in figure 6.9.2(a).

&FC42 write select

Run the following program:

```
10 DIM P% 10
20 [
30 .a
40 STA &FC42 50
   JMP a
60 ]
70 CALL a
```

Test pin 11 1C11 with a scope and check that the waveform is not stuck either high or low. It should look like the one shown in figure 6.9.2(a).

&FC43 write IRQ enable

Run the following program:

```
10 DIM P% 10
20 [
30 .a
40 LDA #0
50 .b
60 STA &FC43
70 JMP b
80 ]
90 CALL a
```

Test pin 11 1C10 with a scope and check that the waveform is not stuck either high or low. It should look like the one shown in figure 6.9.2(a).

Pin 9 1C10 should be logic 0.

Now run the following program:

```

10 DIM P% 10
20 [
30 .a
40 LDA #1
50 .b
60 STA &FC43
70 JMP b
80 ]
90 CALL a

```

and pin 9 IC10 should now be logic 1.

6.9.3 Handshaking

To test the SEL/BSY handshake use the following program:

```

10 DIM P% 20
20 [
30 .a
40 LDA #1
50 STA &FC40
60 STA &FC42
70 .b
80 LDA &FC41
90 BEQ b
100 RTS
110 ]
120 PRINT -USR(a) AND &FF

```

Press the BREAK key followed by OLD and RUN the program. The LED on the disc controller board should illuminate, and the result 2 should be printed on the screen after the assembler listing. (The result is the contents of the status register, and BSY is bit D1 which corresponds to 2.)

If nothing happens and the program is typed in correctly then there is either a loose connection or a fault in the disc controller board.

The system can be deselected by pressing BREAK.

The REQ/ACK handshake operates only during data transfer. If the hardware for this handshake is faulty then there can be no data transfer.

6.9.4 Bus lines

When the buses are not being asserted either by the SCSI11 interface or the host microcomputer, ie in the bus free phase, all bus lines will float according to the values of their terminating resistors.

Measure the voltage of each bus line in turn and make sure that none of them is stuck at +5V, which would indicate a short circuit, or at 0V which would indicate either that one of the buffers was enabled or that there was a short circuit. The correct voltages are as follows:

1 MHz expansion bus D0 to D7 and A0 to A7 should all be 2.5V.

SCSI DB0 to DB7 should all be 3V.

If, for example, D0 to D7 are all 0V or a mixture of 0V and 2.5V then one of the buffers is probably enabled.

Appendix A. ACW ADFS Utilities discs

The utilities perform the various housekeeping functions necessary for a disc filing system. The package includes a 'help' facility for each utility.

The Disc Utilities

The utilities are divided into three categories:

- ADFS Floppy utilities
- ADFS Winchester utilities
- ADFS General utilities

One of these groups may be selected from the first menu. Subsequent menus allow the selection of a particular utility and give detailed information about each one, if required. A brief description of each utility is given below.

ADFS Floppy Utilities

- Alarm* Formats single- or double-sided, 40- or 80-track discs to the ADFS (double density) format. (See the Appendix on Formatting Disks)
- Backup* Makes an identical copy of an ADFS floppy disc.
- Verify* Checks that there are no errors on an ADFS floppy disc.

ADFS Winchester Utilities

- Archival to DFS* Transfers files and directories from ADFS winchester to DFS floppy disc.
- Archive Recover* Returns files and directories from DFS floppy to ADFS Winchester.
- Worm* Formats a Winchester disc. This operation erases the entire contents of a hard disc and is COMPLETELY IRREVERSIBLE; there is no way that files lost by re-formatting can be retrieved — you have been warned! (See the Appendix on Formating Disks)
- Verify* Checks a Winchester disc for defects.

ADFS General Utilities

- Catall* Lists the contents of all the directories on a disc (floppy or Winchester).
- Copyfiles* Copies files from one filing system to another.
- Dircopy* Duplicates part or all of an ADFS directory structure in another part of the ADFS directory structure.
- Exall* Lists the contents of all the directories on a disc. (Similar to *Catall*).
- Harderror* Removes a sector of a Winchester disc containing a hard error from the free-space map.
- Recover* Enables accidentally deleted files to be recovered. (Can NOT recover after Formatting)
- Weditor* Enables the data in any sector of the Winchester disc to be displayed and, if necessary, changed.

Using the Utilities

The utilities are written in BBC BASIC and run on the 6502 I/O processor. They make use of 6502 assembler routines and will not run under 32000 BASIC. The programs may be used directly from the floppy disc, or they may be installed onto the Winchester disc. To run the utilities from the floppy disk:

- (1) Select the single processor mode by using the 'TUBE' rocker switch on the rear of the keyboard, the 'TUBE' LED on the top left of the keyboard should be OFF.
- (2) Insert the utilities disc into the floppy drive.
- (3) Type:
 >*ADFS (RTN)
 >*DIR :4 (RTN)
 >CHAIN "UTILS.MENU" (RTN)
- (4) A menu will then appear on the screen.

To install the utilities.

The ADFS utilities can be installed on the winchester as follows:

- (1) Start the Utilities as above.
- (2) Select "General Utilities" type (f2)
- (3) A second menu will appear. Select "dircopy" type
- (4) Wait for the banner "Logieal Copier.... "
- (5) In reply to the question "Source Drive" type 4 (RTN)
- (6) In reply to the question "Destination Drive" type 0 (RTN)
- (7) Press (RTN) when ready.
- (8) In reply to "Please input sub-directories NOT to be copied" type (RTN) which will cause all files and directories to be copied.
- (9) In reply to the question "Begin at which Entry?" type (RTN) Installation will now begin.
- (10) Installation will be finished when the messages "Copy eomplete" and "Press (SPACE) to return to menu"

Compacting Winchester Disc Files

During a period of typical use, a large capacity Winchester disc will provide for the creation, reorganisation and deletion of a great many disc files. In so doing, different parts of the disc are called into use and then freed. It is therefore recommended, as part of normal 'housekeeping' duties, that the user compacts the files periodically. This consolidates the files and causes free space on the disc to be gathered into larger contiguous sections. The action, which also often improves file access times and releases further free space on the disc, is carried out by using the *COMPACT* command supplied in the ADFS filing system ROM.

To COMPACT the Winchester:

- (1) Turn off the 32016 co-processor using the TUBE switch on the back of the keyboard. The TUBE LED on the keyboard should be OFF.
- (2) Select BASIC (> Prompt) by typing *Basic (RTN)

- (3) Select Shadow Screen Mode by typing *SHADOW 1 (RTN) This speeds up the compaction by allocating more memory space as a buffer.
- (4) Select the ADFS filing system by typing *ADFS (RTN)
- (5) Select DRIVE 0 by typing *DIR :0 (RTN)
- (6) Type *FREE (RTN) This displays the amount of both used and free space left on the disc. Check that they are not nearly equal, as no amount of compaction will create more space on a full disc!
- (7) Run the compaction program by typing *COMPACT 30 50 (RTN)

WARNING

IF the compaction program is interrupted, for example by pressing (BREAK) or by a power cut, then the file that was being moved at the time may be LOST or CORRUPTED. It is good practice to backup important data on floppy discs or ECONET File Server.

The two numbers after the *COMPACT command are the recommended values of the start page (16_30), and the length in pages (16_50) of the screen memory used as a work area. In shadow mode this will not be displayed.

Note that compacting the hard disc may take several minutes, and that during the process the disc access light will flash on and off.

- (8) When the first pass compaction is complete, the prompt will reappear.
- (9) The Compaction algorithm used is not perfect and some free space will remain as fractional blocks. Type *MAP (RTN) and a list of free spaces on the disc is displayed. This list will get shorter each time the compaction program is run. It is usually worth compacting until the list of free spaces contains only between half a dozen and a dozen entries. This will usually involve running *COMPACT two or three, times.
- (10) Compaction is required more frequently if the disc is nearly full.

Appendix B. Formatting Discs

WARNING

Formatting Discs erases all data and is NOT reversible.

The Floppy Disc Drive

The floppy disc drive is designed for use with 5 1/4 " soft seetored, double sided, 80 traek dises. The storage capacity of a floppy disc depends on the modulation system used for recording. On the ACW, the Advanced Disc Filing System uses 'modified frequency modulation' (MFM). This is often referred to as 'double density' storage. MFM allows a capacity of 640 kilobytes for an 80 track, double sided disc. ADFS treats MFM floppy disc SIDES as one contiguous SURFACE refered to as DRIVE 4 in the ACW configuration.

The ACW ean also use the Acorn Disc Filing System. The DFS employs standard frequency modulation (FM, loosely referred to as 'single density' storage), resulting in a capaacity of 400 kilobytes per disc (200 kilobytes per side). DFS treats FM floppy dise SIDES as two separate SURFACES refered to as DRIVES 0 and 2 in the ACW configuration.

FM (DFS) Format Floppy Discs

The format program is supplied in the Disc filing system (DFS) ROM. This program only runs on the I/O Proecessor.

- (1) Turn off the 32016 co-processor using the TUBE switch on the back of the keyboard. The TUBE LED on the keyboard should be OFF.
- (2) Select BASIC (> Prompt) by typing *Basic (RTN)
- (3) Select the DFS filing system type *DISC (RTN)
- (4) Insert dise to be formatted into disc drive.
- (5) Run formatter by typing *FORM80 (RTN)
- (6) In reply to the message "Format Which Drive?" reply 0 (RTN) for the top side OR 2 (RTN) for the bottom side.
- (7) In reply to the message "CO (Y/N)" reply Y if you wish to proeed.
- (8) Formatting is finished when the BASIC prompt (>) reappears.

To format BOTH sides the format program will have to be run TWICE.

MFM (ADFS) Format Floppy Discs

The format program is supplied on the ACW ADFS Utilities Disc (See appendix). This dise contains a suite of programs that run on the I/O Processor.

- (1) Turn off the 32016 co-processor using the TUBE switch on the back of the keyboard. The TUBE LED on the keyboard should he OFF.
- (2) Select BASIC (> Prompt) by typing *Basic (RTN)
- (3) Select the ADFS filing system type *ADFS (RTN)
- (4) Insert the ACW ADFS Utilities disc.
- (5) Select the floppy disc drive, type *DIR :4 (RTN)

Appendix B

- (6) Start up the utilities disc by typing CHAIN "UTILS.MENU" (RTN) A menu of utilities will be displayed.
- (7) Select the Floppy disc utilities suite type [f0]
- (8) Select the Floppy disc formatter (AFORM) type [f0] and wait until the message: "ADFS Floppy Formatter Ver..." appears then:
- (9) Remove ACW ADFS Utilities Disc and insert disc to be formatted.
- (10) To the question "Format which drive?" reply 4 (RTN)
- (11) To the question "Size of disc?" reply [L] (RTN) for a double sided disc or [S] (RTN) for a single sided disc. (RTN)
- (12) To the question "Format drive 4, Large, OK?" reply YES (RTN) The program will format and then verify the disc.
- (13) Formatting is complete when the messages "Verification Complete" and "Format which drive" are displayed.
- (14) Press (SPACE) to return to menu.
- (15) Replace utilities disc in the drive if other utilities are required.

Winchester (ADFS) Formatting

The Winchester hard disc should only rarely need to be reformatted usually in one of the following circumstances:

- (1) Installation of a new Winchester.
- (2) Following corruption of the Winchester.

Before formatting a winchester locate the ACW Service Card shipped with every ACW. The Service card contains the defect list for the installed winchester and should be ammended when the winchester is replaced or repaired.

If a new winchester is being installed the defect list marked on the drive case together with the serial number must be copied onto a new Service card (or sheet of paper) and left with the machine.

The format program is supplied on the ACW ADFS Utilities Disc (See appendix). This disc contains a suite of programs that run on the I/O Processor.

- (1) Turn off the 32016 co-processor using the TUBE switch on the back of the keyboard. The TUBE LED on the keyboard should he OFF.
- (2) Select BASIC (> Prompt) by typing *Basic (RTN)
- (3) Select the ADFS filing system type *ADFS (RTN)
- (4) Insert the ACW ADFS Utilities disc.
- (5) Select the Floppy disc drive, type *DIR :4 (RTN)
- (6) Start up the utilities disc by typing CHAIN "UTILS.MENU" (RTN) A menu of utilities will be displayed.
- (7) Select the winchester utilities suite type [f1]
- (8) Select the Winchester disc formatter (WFORM) type [f2] and wait until the message banner "Super Winchester Formatter V..." followed by the "ACTION : " prompt appears.

- (9) Press (RTN) for a list of command options.
- (10) Select option "C-Change drive parameters" to check drive parameters which should be for an NEC 5126 drive:
 - Heads = 4
 - Cylinders = 615
 - Step rate code = 2
 - RWCC = 128
 - Landing zone = 49
 - Format Drive : 0
- (11) IF the drive parameters are CORRECT and agree with the Service card then to the question "Change drive number only (Y/N)?" type Y (RTN) and to the question "Format drive number?" type 0 (RTN)
- (12) IF the drive parameters are INCORRECT then to the question "Change drive number only (Y/N)?" type N (RTN) and enter the correct parameters. Recheck by using option "C" again.
- (13) Return to the command option menu.
- (14) Select option "T-Type defect list" this will list the current defect list contained on the drive, check that this is the same as recorded on the Service card. Any additional defects in the list should be recorded on the Service card. Two alternate methods are available for adding defects to the list these are command options: "A-Add defects as sector number" and "B-Add defects as Cylinder, Head, Byte". Option "13" is normally used as this is the format most manufacturers record defects. Option "A" is used to add defective sectors reported by the ADFS filing system which used this format.
- (15) Format the Winchester using command option "F-Format". To the question "Do You really want to format drive 0?" reply YES (RTN) only if this is the case.
- (16) To the question "Fill byte (Return for default)" type (RTN) Formatting then begins. This takes Approx. 2 min. and is followed by verification which takes approx. 4 mins. If a NEW defect is found on verification the following is displayed "Defect <number> at <sector number>", verification continues until the last sector. The NEW defects are added to the defect list and the drive is automatically reformatted and verified until no new defects are found.

NOTE: The defect error number displayed is offset by 80 Hex if the address found is valid. ie error numbers 19 and 99 are equivalent. See appendix for ADFS Error numbers.
- (17) Formatting is complete when the messages:
 - "No defects found"
 - "Writing map"
 - "Writing root"
 - "Save defect list"
 - "New defects file saved"
 - "Superform saved"
 - "Superform1 saved"
 - "<A Hex number> Sectors = <A decimal number> Bytes Free"
 - "<A Hex number> Sectors = <A decimal number> Bytes Used"

Appendix B

are displayed followed by the ACTION prompt.

- (18) Again check the defect list using comand option "T" against the serviee card.
- (19) Type command "Q" to exit the formtter and return to the Winchester Utilities Menu.
- (20) Type [f9] to return to the basic prompt.

Appendix C. "*" Command Summary

Filing System Commands

The table is a summary of the more important filing system "*" commands.

Function	DFS	ADFS	NFS
select filing system	*DISC	*ADFS	*NFS
lock or unlock a file	*ACCESS	*ACCESS	*ACCESS
select previous directory	-	*BACK	-
create text file from keyboard	*BUILD	-	-
close all files and park heads or log off	-	*BYE	*BYE
display a disc or directory catalogue	*CAT	*CAT	*CAT
create a new directory	-	*CDIR	*CDIR
re-organise physical storage on disc	*COMPACT	*COMPACT	-
copy files from a drive/directory to another	*COPY	*COPY	-
remove a single named file	*DELETE	*DELETE	*DELETE
remove specified files	*DESTROY	*DESTROY	*DESTROY
select current drive/directory	*DIR	*DIR	*DIR
select current drive	*DRIVE	-	-
execute list of "*" commands in file	*EXEC	*EXEC	*EXEC
display amount of free space on disc	-	*FREE	*FREE
display list of commands	*HELP	*HELP	*HELP
select current library	*LIB	*LIB	*LIB
load file into memory (e.g. machine code)	*LOAD	*LOAD	*LOAD
specify auto-start option	*OPT 4	*OPT 4	*OPT 4
change a file name	*RENAME	*RENAME	*RENAME
execute a machine code program	*RUN	*RUN	*RUN
save memory image into a file	*SAVE	*SAVE	*SAVE
specify disc or directory title	*TITLE	*TITLE	-
display text file on screen	*TYPE	-	-
remove specified files with confirmation	*WIPE	-	-

Appendix C

For a full list of filing system commands applicable to the particular model of I/O Processor' in use, type

*help DFS

*help ADFS

*help NFS

or consult the appropriate User Guide.

Most commands can be abbreviated, but a full stop must be appended to the abbreviation, e.g. *h.

means *Help.

Appendix D. Guide To Documentation

The publications referred to in this Guide are listed below.

Cambridge Workstation Technical Description and Service Manual
Acorn Computers Ltd.
Part Number
This document.

ACW Welcome Guide
Acorn Computers Ltd.
Part Number 0420,000

ACW Function Key Card Booklet
Acorn Computers
Part Number 2201,206

Cambridge Series I/O Processor Guide
Acorn Computers Ltd.
Part Number 0410,004
A description of the ACW I/O Processor, (also applicable to users of the Cambridge Co-Processor) it explains the features of the I/O processor.

Panos Guide to Operations:
Acorn Computers Ltd. Part
Number 0410,011
This gives a comprehensive description of the Panos operating system, both for the user and for the high-level language programmer.

Panos Programmers Reference Manual:
Acorn Computers Ltd.
Part Number 0410,012
Of interest to users who wish to write programs which interface with Panos at a low level.

ACW Terminal Emulator Guide
Acorn Computers Ltd
Part Number 0420,010

Cambridge Co-Processor Technical Description and Service Manual
Acorn Computers Ltd.
Part Number 0410,000
to be published — describes the hardware

Language Manuals

Appendix D

32000 Assembler Reference Manual
Part Number 0410,005

32000 BBC BASIC Reference Manual
Part Number 0410,006

FORTRAN 77 Reference Manual
Part Number 0410,008

ISO Pascal Reference Manual
Part Number 0410,010

C Reference Manual
Part Number 0410,007

Cambridge LISP Reference Manual
Part Number 0410,009

The language manuals describe the implementation dependent features of the languages, the compilation control parameters, and diagnostic facilities. The guides are not intended to serve as reference manuals to the standard features of the languages.

BBC Microcomputer Related Documentation

Expert or specialist users may need access to particular manuals written for the BBC Microcomputer.

BBC B+ Microcomputer System User Guide
Part Number 0433,000
Issue 1, October 1984

Disc Filing System User Guide
Part Number 0403,700
Issue 2, 1983

Winchester Disc Filing System User Guide
Part Number 0427,00(1)
Issue 1, 1984

Econet Level 2 File Server User Guide
Part Number 0412,018
Issue 1, 1983

Econet Level 2 File Server Manager's Guide Part
Number 0412 017 .
Issue 1, 1983

BBC Microcomputer Application Notes

The following hardware application notes are available

1 Mhz Bus Application note
Customer Services Dept.
Acorn Computers Ltd.

Third Party Documentation

In addition, the following items of 'third party' documentation may prove useful:

Microvitec Service Manual
Microvitec plc
Futures Way
Bolling Road
Bradford BD4 7TU

Tel. (0274) 390011

6512A Microprocessor Handbook
7002 (ADC) Data Sheet
6522 (VIA) Data Sheet
6845 Video Controller Data Sheet
6850 (A CIA) Data Sheet

32000 Series Data Sheets
National Semieonductors.

The Advanced User Guide for the BBC Micro
Bray, Dickens and Holmes.
Cambridge Microeomputer Centre, 1983.

Appendix E. Glossary

ACK	ACKnowledge line on the printer port
ACIA	Asynchronous Communications Interface Adaptor - serial to parallel and parallel to serial converter (6850)
ADC	Analogue to Digital Converter
ADLC	Advanced Data Link Controller - ECONET control 1C (68B54)
ADSR	Attack, Decay, Sustain, Release - defining the envelope of a sound
ASCII	American Standard Code for Information Interchange - binary code for representing alphanumeric characters.
BASIC	Beginners All-purpose Symbolic Instruction Code
BBC	British Broadcasting Corporation
BNC	Bayonet-Neill-Concelman - the type of bayonet connector used for the video output
CA1/2	Control lines associated with the PA port on a VIA
CAS	Column Address Strobe - control line for the DRAM
CB1/2	Control lines associated with the PB port on a VIA
CPU	Central Processor Unit (6512)
CR	Capacitor Resistor network
CRT	Cathode Ray Tube
CRTC	Cathode Ray Tube Controller IC (6845)
CSYNC	Composite SYNChronisation pulse train for video/TV display
CTS	Clear To Send - control input on the RS423 port
CUTS	Computer Users Tape Standard
DIN	European standard connector family used for the cassette socket, RGB socket etc
DRAM	Dynamic Random Access Memory
EPROM	Erasable Programmable Read Only Memory
FIT	Final Inspection Tester
FDC	Floppy Disc Controller (1770 or 8271)
IC	Integrated Circuit
ID	1Dentity - refers to the unique number of a given ECONET station or paged ROM
1DC	Insulation Displacement Connectors - parallel cable connectors underneath the computer

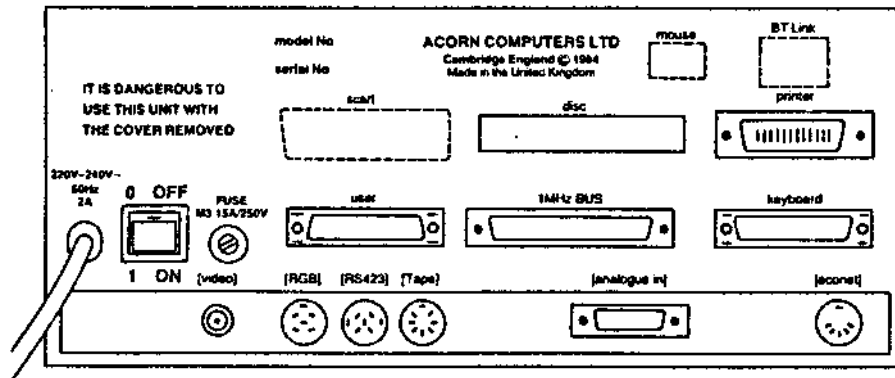
IEEE488	A parallel interface usually associated with automatically controlled test instruments
I/O	Input Output
IRQ	Interrupt ReQuest - control line on the 6512 processor
MOS/OS	Machine Operating System or OS
MPU	MicroProcessor Unit - same as CPU
NMI	Non-Maskable Interrupt - control line on the 6512 processor
PA	Port A - One of the two ports of a VIA
PAL	i) A feature of the British television colour system where colour information phase is varied on alternate lines. Hence Phase Alternate Line
PAL	ii) Abbreviation for a type of logic integrated circuit (IC) which is programmed by fusing microscopic links in the IC. Programmable Array Logic circuits are used to reduce the number of ICs needed on a circuit board
PB	Port B - The other port of a VIA
PCB	Printed Circuit Board
PET	Test device designed for use with BBC Microcomputer Model B. Will work on the B+/ACW I/O Processor but with different results, see information manual supplied to dealers
PHI1	CPU clock input - non-overlapping with PHI2
PHI2	CPU clock input
PL	Header PLug
PORT	Test device for use with BBC Microcomputer Model B+
PSU	Power Supply Unit
Q1 etc	Transistor numbers
QWERTY	Signifies a standard typewriter key layout
RAM	Random Access read/write Memory
RAS	Row Address Strobe - control line for the DRAM
RC	Resistor Capacitor network
RGB	Red Green Blue - individual colour signals for the VDU
ROM	Read Only Memory
ROMSEL	ROM SElect latch
RS423	An internationally defined convention for serial transmission of data
RTS	Ready To Send - control output on RS423 port
S1-30	PCB links

Appendix E

SK	Socket
TTL	Tranistor Transistor Logic - a standard type of digital IC (74-series)
ULA	Uncommitted Logic Array - semi-custom IC
VC	Variable Capacitor
VDU	Visual Display Unit
VIA	Versatile Interface Adaptor (6522)
VR	Variable Resistor
E	A synchronous enable or cloek for 65xx/68xx family peripheral ICs. 1E is a continuous 1MHz square wave
1M	1 MegaHertz from video processor
2E	A synchronous enable or clock for 65xx/68xx family peripheral ICs. 2E may have two or three half cycles suppressed to synchronise it to E
2M	2 MegaHertz from video proeessor
4M	4 MegaHertz from video processor
8M	8 MegaHertz from video processor

Appendix F. Connector pinouts

ACW rear panel connections



SK1 UHF Out

This is not fitted on the ACW

SK2 Video Out

BNC

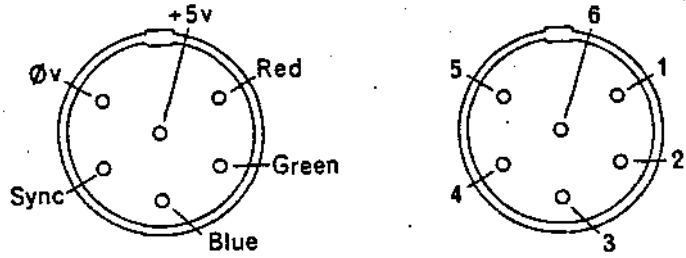
outer: ground

inner: video

Appendix F

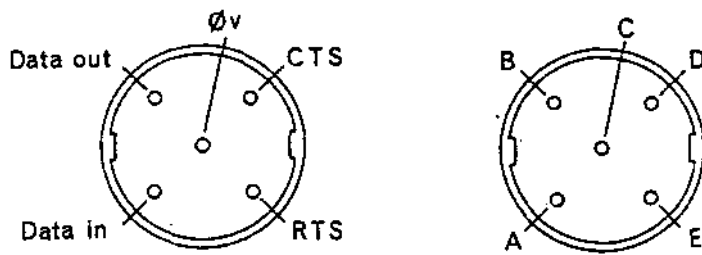
SK3 RGB

6-pin DIN 45322



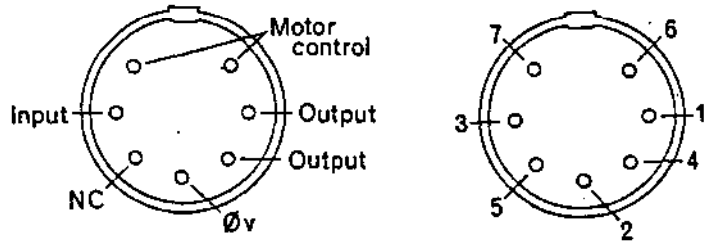
SK4 RS423

5-pin DIN 45327



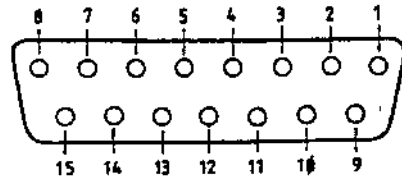
SK5 Cassette

7-pin DIN 45328



SK6 Analogue In

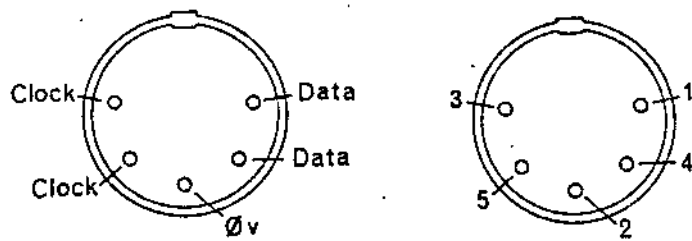
15-way D-type



1	+5V	9	light pen strobe (NLPSTB)
2	0V	10	digital switch input (I1)
3	0V	11	voltage reference (VREF)
4	CH3	12	CH2
5	analogue ground	13	digital switch input (JO)
6	0V	14	voltage reference (VREF)
7	CH1	15	CH0
8	analogue ground		

SK7 Econet 5-pin

DIN 41524



Appendix F

PL9 Printer Port

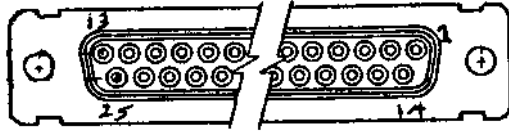
24-way DELTA IDC



Signal	Connector pin		
	I/O PCB 26-way	Panel 24-way	Printer 36-way
strobe	1	1	1
Data 0	3	2	2
Data 1	5	3	3
Data 2	7	4	4
Data 3	9	5	5
Data 4	11	6	6
Data 5	13	7	7
Data 6	15	8	8
Data 7	17	9	9
Acknowledge	19	10	10
No connection	21,23,25,26	11,12	11 to 17
Ground	2,4,6...,24	13 to 24	18 to 29

PL10 User Port

25-way D Type IDC



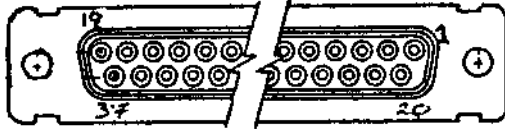
25-way I/O PCB Function

D type	IDC	Function
1	1	+5V
2	3	+5V
3	5	0V
4	7	0V
5	9	0V
6	11	0V
7	13	0V
8	15	0V
9	17	0V
10	19	0V
11	21	N/C
12	23	N/C
13		N/C

25-way I/O PCB Function

D type	IDC	Function
14	2	CB 1
15	4	CB2
16	6	PB0
17	8	PB 1
18	10	PB2
19	12	PB3
20	14	PB4
21	16	PBS
22	18	PB6
23	20	PB7
24	22	N/C
25	24	N/C

PL11 1MHz Bus37 way D Type IDC

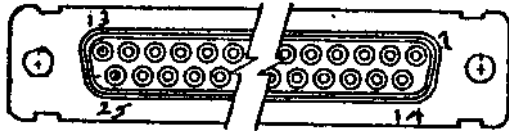


37-way I/O PCB Function			37-way I/O PCB Function		
D type	IDC		D type	IDC	
1	1	0V	20	2	R/NW
2	3	0V	21	4	1MHzE
3	5	0V	22	6	NNMI
4	7	0V	23	8	NIRQ
5	9	0V	24	10	NPGFC
6	11	0V	25	12	NPGFD
7	13	0V	26	14	NRST
8	15	0V	27	16	Analog Input
9	17	0V	28	18	DO
10	19	D1	29	20	D2
11	21	D3	30	22	D4
12	23	D5	31	24	D6
13	25	D7	32	26	0V
14	27	A0	33	28	A1
15	29	A2	34	30	A3
16	31	A4	35	32	A5
17	33	A6	36	34	A7
18	35	N/C	37	36	N/C
19	37	N/C			

N/C = No connection

PL13 Keyboard

25-pin D Type IDC



Pin	Function
1	0V
2	BREAK
3	1E
4	keyboard enable
5	SD4
6	SD5
7	SD6
8	SD0
9	SD1
10	SD2
11	SD3
12	SD7
13	cassette LED
14	CA2 (to generate 1RQ)
15	+5V
16	shift lock LED
17	caps lock LED

Appendix G. 32016 Memory Chip/Address Map

Address	IC Numbers			
	High byte		Low byte	
	D15.....	D8	D7.....	D0
1st. M Byte.				
000000..07FFFF	59	to	66	51 to 58
080000..0FFFFFFF	75		82	67 74
2nd. M Byte.				
100000..17FFFF	91		98	82 90
180000..1FFFFFFF	107		114	99 106
3rd. M Byte.				
200000..27FFFF	123		130	115 122
280000..2FFFFFFF	139		146	131 138
4th. M Byte.				
300000..37FFFF	155		162	147 154
380000..3FFFFFFF	171		178	163 170

Appendix H. Oscilloscope Sync. Aid for 32016

The bus activity during execution of any program (incl. Pandora) will be very random and difficult or impossible to follow with an oscilloscope. The following program when run in the BBC Micro or ACW, resets the processor at a few hundred Hertz. This causes the processor to repeat the start up sequences rapidly, and provides a triggering mechanism for an oscilloscope.

The program is written in BBC BASIC.

```
10 ?&FEE0 = &7F
20 REPEAT ?&FEE0 = &A0 : ?&FEE0 = &20 : UNTIL 0
```

This should be entered as follows.

- (1) Turn off the Coprocessor.
- (2) Press BREAK.
- (3) Enter the program above exactly as shown.
- (4) RUN the program.
- (5) Turn on the Coprocessor again.

The 32016 is now resetting about 500 times a second. Note that nothing will be displayed on the screen to indicate this.

It is now possible to follow the start up sequence, triggering the oscilloscope on the RISING edge of one of the reset signals ie. NRSTO. First look for this signal on the reset pin of the CPU (pin 34).

It will not be possible to obtain a perfectly stable signal because for various reasons the BBC 6502 does not always execute line 20 in the same amount of time, and the execution of the start-up sequence in the 32016 is disturbed by memory refresh cycles.

Appendix I. Test Software Numbers

<u>Title</u>	<u>Media</u>	<u>Code</u>
32016 Memory test/DISC	80 Track	DISC. 2201,257
32016 Memory test/EPROM	EPROM/ROM	Low. 2201,229 High. 2201,230

Appendix J. Test program fault reports

Faults reported by the Romtest programs take the following format.

Error addr: HHHHHH — This is the hex address of the fault.

Written: BBBBBBBB BBBBBBBB — This is the binary data written
into memory at the faulty address (
D15...D8 D7...D0).

Read: BBBBBBBB BBBBBBBB — This is the binary data read back from
the faulty address
(D15...D8 D7...D0).

Some examples will illustrate how this information can be used to identify a variety of faults.

Example 1.- A faulty DRAM

In this example bit D5 is "stuck-at-1" but only at a small number of addresses. To find out which DRAM contains this bit at this address use the tables in Appendix B. In this example the fault is in IC90.

Example 2. - Faulty PCB (Data bit) or faulty DRAM

At first glance this looks similar to example one but note that ALL addresses are failing one bit, this could indicate a faulty DRAM, a DRAM in the wrong way around, or a fault on the PCB (ie a short circuit).

Example 3. - Faulty PCB (Address bit)

Because each memory bank has its own set of address buffers a faulty address line may not show up as a fault at all addresses. A typical fault report is shown, note that the pattern read from the memory appears correct but shifted up or down in memory. It is impossible to write a test program that will fully identify faults of this kind.

Example 4. - Refresh fault

If a random or semi-random pattern is read from the memory, you should suspect a fault in the refresh circuitry. The act of writing or reading refreshes the dynamic memory so this is unlikely to be the cause of a fault reported while testing small amounts of memory (ie. < 1.5M byte). A refresh test program option is provided.

MEMORY TEST PROGRAM FAULT EXAMPLES

a) Faulty DRAM

```
Error addr: 000087B4 Written: 11111111 11111101 Read: 11111111 11111100
Error addr: 00008BB4 Written: 10111111 11111111 Read: 10111111 11111110
Error addr: 000097B4 Written: 00000000 00000001 Read: 00000000 00000000
Error addr: 0000ABB4 Written: 11011111 11111111 Read: 11011111 11111110
Error addr: 0000CBB4 Written: 11101111 11110111 Read: 11101111 11111110
Error addr: 00000734 Written: 11111111 11111111 Read: 11111111 11111110
Error addr: 0000EBB4 Written: 11110111 11111111 Read: 11110111 11111110
```

A

Stuck bit

b) Faulty PCB (Bit D9) or DRAM

```
Error addr: 00100000 Written: 00000000 00000000 Read: 00000010 00000000
Error addr: 00100002 Written: 10000000 00000000 Read: 10000010 00000000
Error addr: 00100004 Written: 01000000 00000000 Read: 01000010 00000000
Error addr: 00100006 Written: 00100000 00000000 Read: 00100010 00000000
Error addr: 00100008 Written: 00010000 00000000 Read: 00010010 00000000
Error addr: 0010000A Written: 00001000 00000000 Read: 00001010 00000000
Error addr: 0010000C Written: 00000100 00000000 Read: 00000110 00000000
Error addr: 0010000E Written: 00000010 00000000 Read: 00000010 00000000
Error addr: 00100010 Written: 00000001 00000000 Read: 00000011 00000000
Error addr: 00100012 Written: 00000000 10000000 Read: 00000010 10000000
Error addr: 00100014 Written: 00000000 01000000 Read: 00000010 01000000
Error addr: 00100016 Written: 00000000 00100000 Read: 00000010 00100000
```

ETC...All even addresses up to 001FFFFE

Stuck bit

c) Faulty address line

```
Error addr: 00100000 Written: 00000000 10000000 Read: 00000000 00010000
Error addr: 00100002 Written: 00000000 01000000 Read: 00000000 00001000
Error addr: 00100004 Written: 00000000 00100000 Read: 00000000 00000100
Error addr: 00100006 Written: 00000000 00010000 Read: 00000000 00000010
Error addr: 00100008 Written: 00000000 00001000 Read: 00000000 00000000
Error addr: 0010000A Written: 00000000 00000100 Read: 11111111 11111111
Error addr: 0010000C Written: 00000000 00000010 Read: 01111111 11111111
Error addr: 0010000E Written: 00000000 00000001 Read: 10111111 11111111
Error addr: 00100010 Written: 00000000 00000000 Read: 11011111 11111111
Error addr: 00100012 Written: 11111111 11111111 Read: 11101111 11111111
Error addr: 00100014 Written: 01111111 11111111 Read: 11110111 11111111
Error addr: 00100016 Written: 00111111 11111111 Read: 11111011 11111111
```

ETC...All even addresses

Pattern shifted up/down

d) Refresh fault

```
Error addr: 00000002 Written: 01000000 00000000 Read: 00000000 00001000
Error addr: 00000004 Written: 00100000 00000000 Read: 11001001 10010010
Error addr: 00000006 Written: 00010000 00000000 Read: 00101010 01001101
Error addr: 00000008 Written: 00001000 00000000 Read: 00101000 11100010
Error addr: 0000000A Written: 00000100 00000000 Read: 00101010 11001010
Error addr: 0000000C Written: 00000010 00000000 Read: 01011011 01101101
Error addr: 0000000E Written: 00000001 00000000 Read: 10010101 01010010
Error addr: 00000010 Written: 00000000 10000000 Read: 00000100 11011111
Error addr: 00000012 Written: 00000000 01000000 Read: 11000000 00000111
Error addr: 00000014 Written: 00000000 00100000 Read: 10001001 00100101
Error addr: 00000016 Written: 00000000 00010000 Read: 11011011 11100111
```

ETC....All even addresses

Appendix K. MOUSE ASSEMBLY

Mouse installation

If the mouse PCB is being fitted for the first time, ensure that the ACW Mouse Adaptor kit contains the following:

- ACW Mouse Adaptor PCB
- An insulation sheet
- Four PCB mounting pillars
- A 34way 850mm long ribbon cable
- A 34way 60mm long ribbon cable
- A 9way 520mm long ribbon cable
- Two M3 screws, nuts and washers
- A mouse

To install the mouse card proceed as follows.

- (1) Switch off and disconnect the ACW (and any attached peripherals) from the mains supply.
- (2) Disassemble the ACW until the left-hand component tray (looking at the front of the computer) is lying in its horizontal position. Section 2.3 of this manual covers disassembly and reassembly.
- (3) Remove the 1 MHz bus ribbon from the ACW. This can be identified by the legend on the rear panel. Working from the rear of the unit remove the two screws, nuts and washers that hold the 1 MHz bus D-type connector to the rear panel. Put these to one side as they will be required later. Disconnect the cable from the I/O Processor board and follow it round to the "host adaptor" PCB on the left-hand components tray. Note the position of this cable run. Release any clamps securing the cable and disconnect it from the host adaptor board. The complete 1 MHz cable can now be removed. It will no longer be required.
- (4) The Mouse Adaptor PCB can now be installed, using the host adaptor PCB as an example of the style of fitting. Its position is between the host adaptor PCB and the front edge of the component tray. It will bridge over ribbon cable going to the "adaptec" PCB. Place the four PCB pillars in the pre-drilled holes in the metalwork and place the insulation sheet on the pillars, over the ribbon cable. Fit the mouse PCB. Its orientation is such that the edge with the two connectors (labelled PL2 and SKI) is closest to the I/O Processor.
- (5) Using the 34way 60mm ribbon cable, connect the mouse PCB to the host adaptor PCB. This is the short 1 MHz bus link, it connects to plug PL3 on the mouse PCB.
- (6) The new 1 MHz bus cable can now be installed. The 34way IDC connector at one end connects to PL2 on the mouse PCB, the IDC in the middle connects to the I/O Processor board, and the D-type connector at the other end fits into the rear panel. Use the original screws to fit the D-type connector. The folds in the cable should be similar to those of the original, and it should follow the same cable run from the PCB tray to the rear panel.
- (7) The 9way mouse ribbon cable can now be installed. The IDC connector at one end is connected to SKI of the mouse PCB and the D-type connector at the other is mounted on the rear panel using the fitting screws provided. It will be necessary to push out the blanking label covering the mouse D-type mounting hole.

- (8) Connect the DC power supply to the mouse PCB Faston connectors. Two spare connectors are available on the DC loom on the components tray. Connect BLACK to the 0V Faston and RED to the +5V Faston on the mouse adaptor PCB.
- (9) The ACW should now be re-assembled according to the instructions given in section 2.3 in the service manual.

Testing

If the ACW will not start up correctly, suspect a faulty connection on one or more of the 1 MHz bus cable IDC connectors. Recheck all IDC fittings.

There is a BBC BASIC program which checks the operation of the mouse. Switch off the TUBE using the switch on the back of the keyboard (The TUBE LED should go out) so the 32016 processor is not running and load the test program from disc.

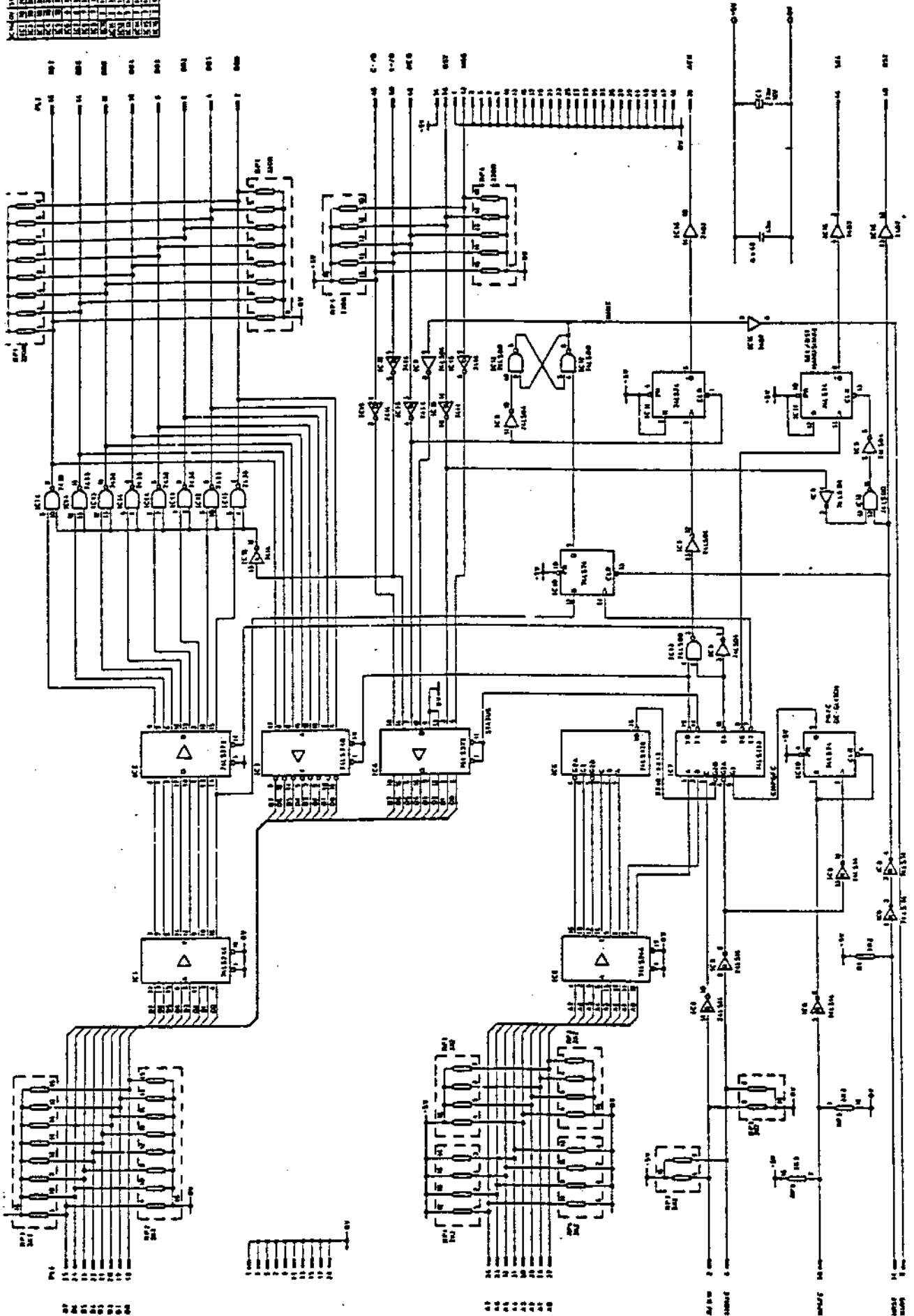
The program moves an arrow over the screen corresponding to the mouse's movement. The mouse has three "click" buttons. Holding down the right button while moving the mouse draws a line on the screen. The centre button clears the screen and the left button produces a BEEP from the ACW loudspeaker.

If the program fails to work, then both mouse and mouse PCB are equally suspect. Check the 9way ribbon cable and its connections first. Next try a known working mouse (of the same type) with the same program. If the screen drawing program still doesn't work then the mouse PCB itself is likely to be faulty and should be replaced.

Field replacements

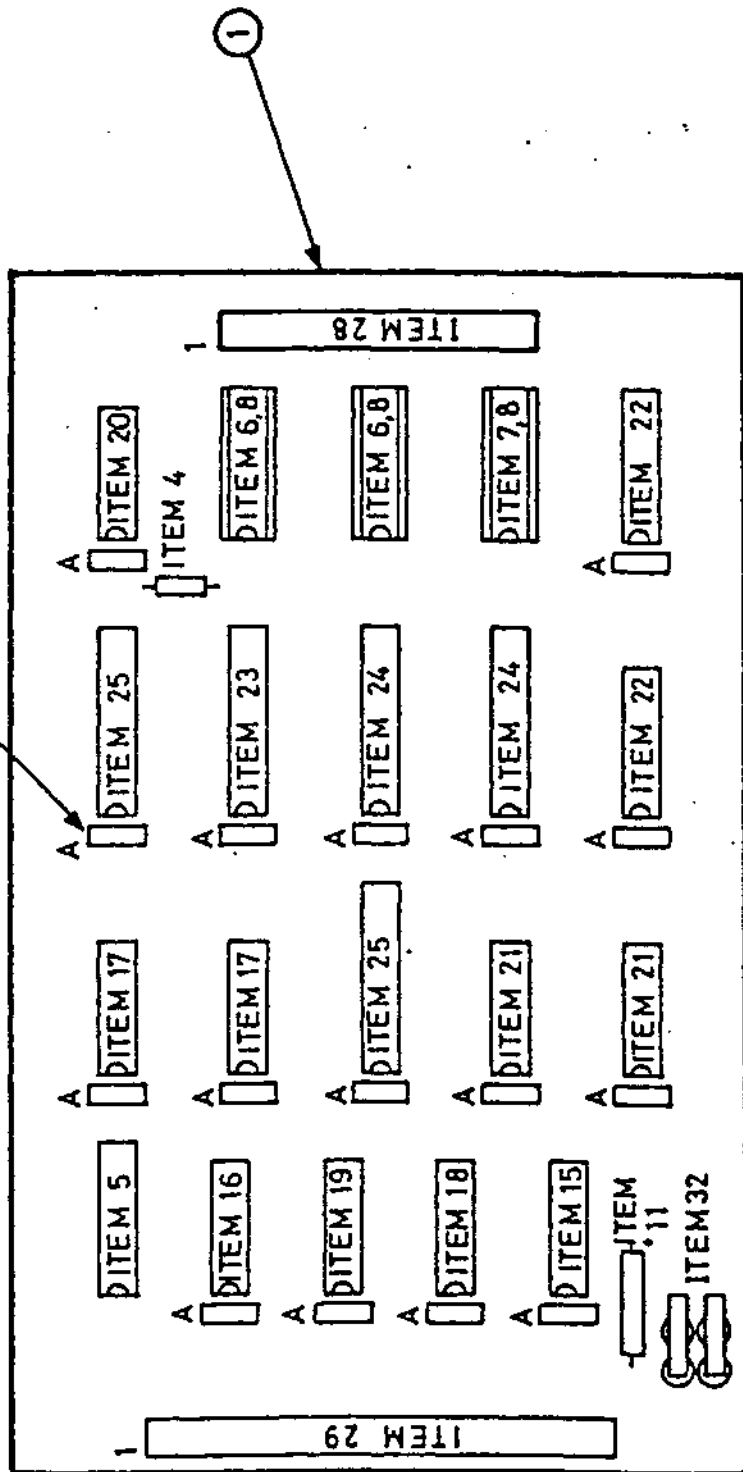
A mouse which develops a fault after extensive use should be examined for wear and physical damage. The hand-held mouse is not a field-repairable item. Suspect cable damage and loose connections and rectify if these are found to be the problem. If the mouse PCB is faulty, that too should be replaced by a new PCB card.

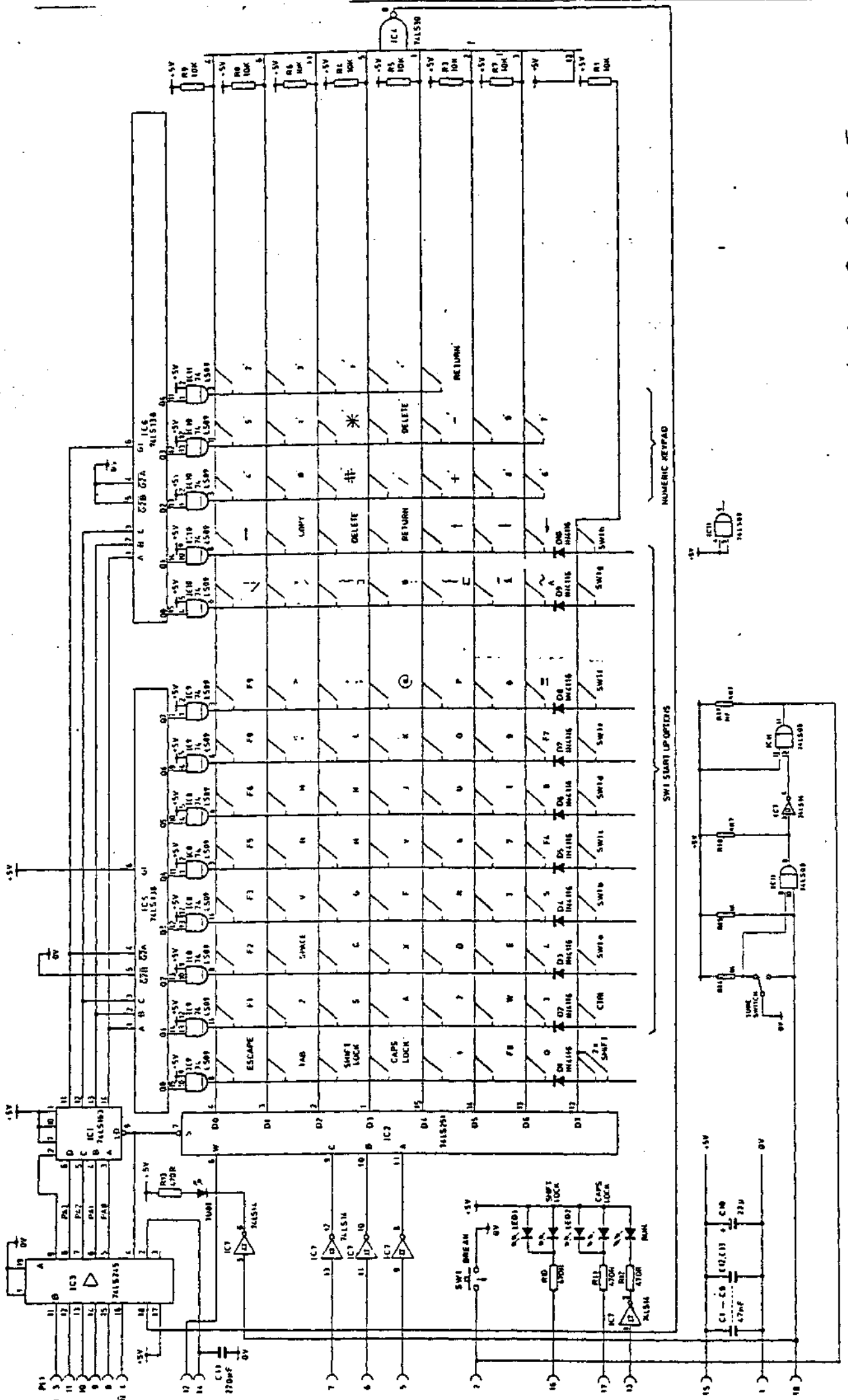
1	2	3	4	5	6	7	8	9	10	11	12	13	14	15	16	17	18	19	20	21	22	23	24	25	26	27	28	29	30	31	32	33	34	35	36	37	38	39	40	41	42	43	44	45	46	47	48	49	50	51	52	53	54	55	56	57	58	59	60	61	62	63	64	65	66	67	68	69	70	71	72	73	74	75	76	77	78	79	80	81	82	83	84	85	86	87	88	89	90	91	92	93	94	95	96	97	98	99	100
---	---	---	---	---	---	---	---	---	----	----	----	----	----	----	----	----	----	----	----	----	----	----	----	----	----	----	----	----	----	----	----	----	----	----	----	----	----	----	----	----	----	----	----	----	----	----	----	----	----	----	----	----	----	----	----	----	----	----	----	----	----	----	----	----	----	----	----	----	----	----	----	----	----	----	----	----	----	----	----	----	----	----	----	----	----	----	----	----	----	----	----	----	----	----	----	----	----	----	-----



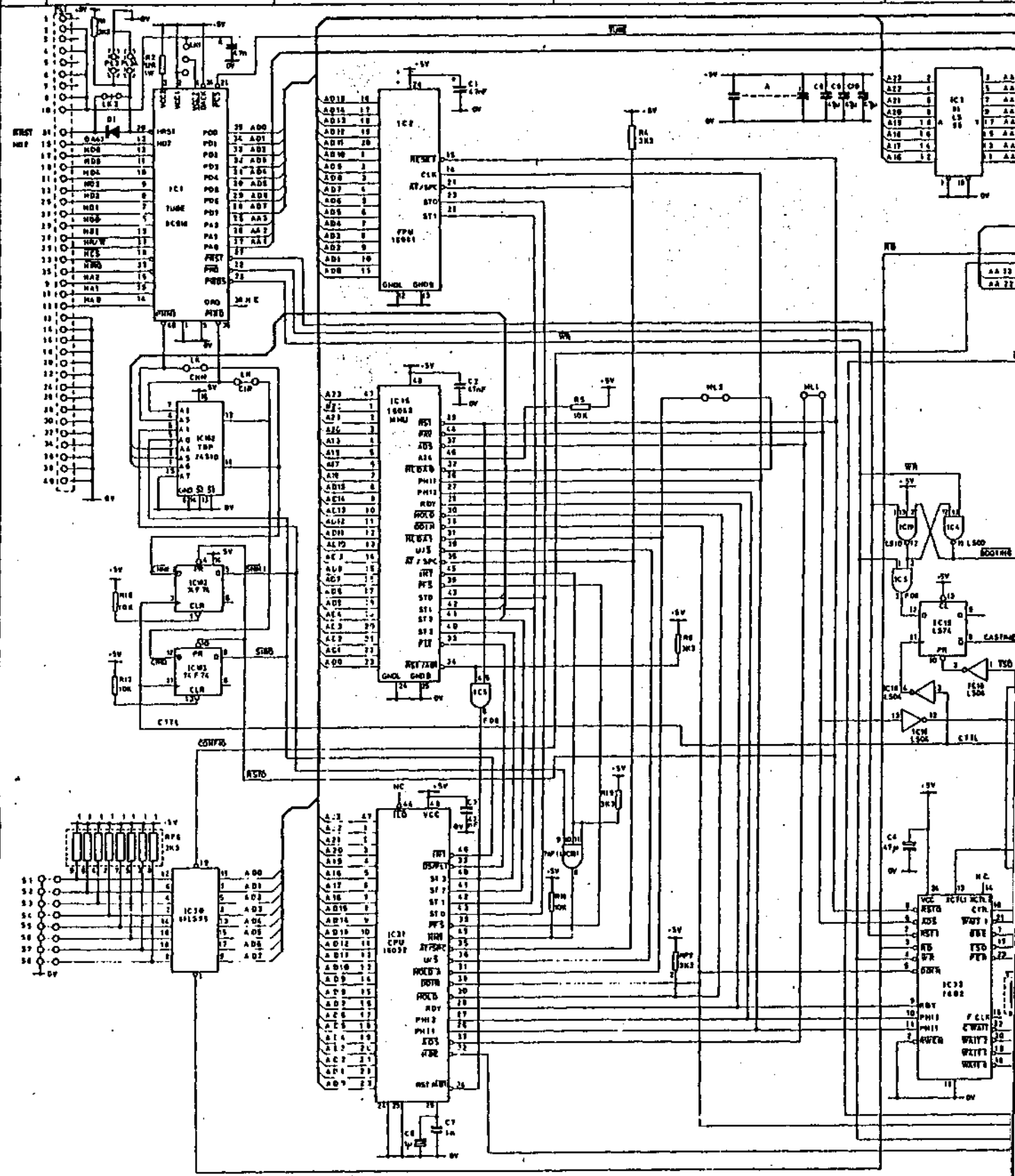
Host Adapter PCB circuit diagram

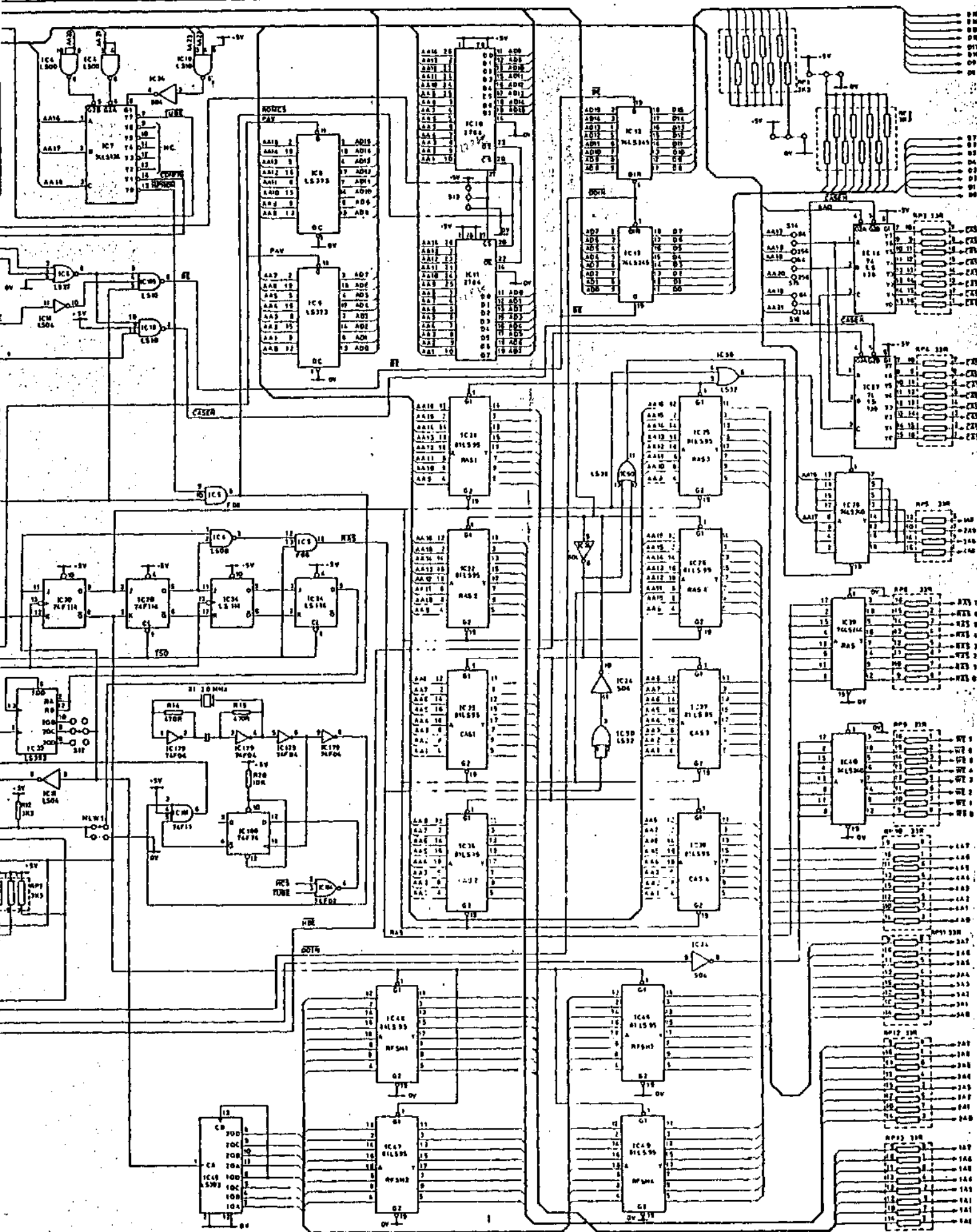
10 16 POSNS.





KEYBOARD CIRCUIT





reserved by ACORN COMPUTERS
 that it is not copied, reproduced
 in any form, either wholly or in part,
 without the written permission of ACORN COMPUTERS LTD.



© COPYRIGHT 1984 ACORN COMPUTERS Ltd.
 FULBURN ROAD
 CHERRY HINTON
 CAMBRIDGE CB1 4JN

TITLE
 LARGE 32016 SECOND PROCESSOR
 SHEET 1 OF 2

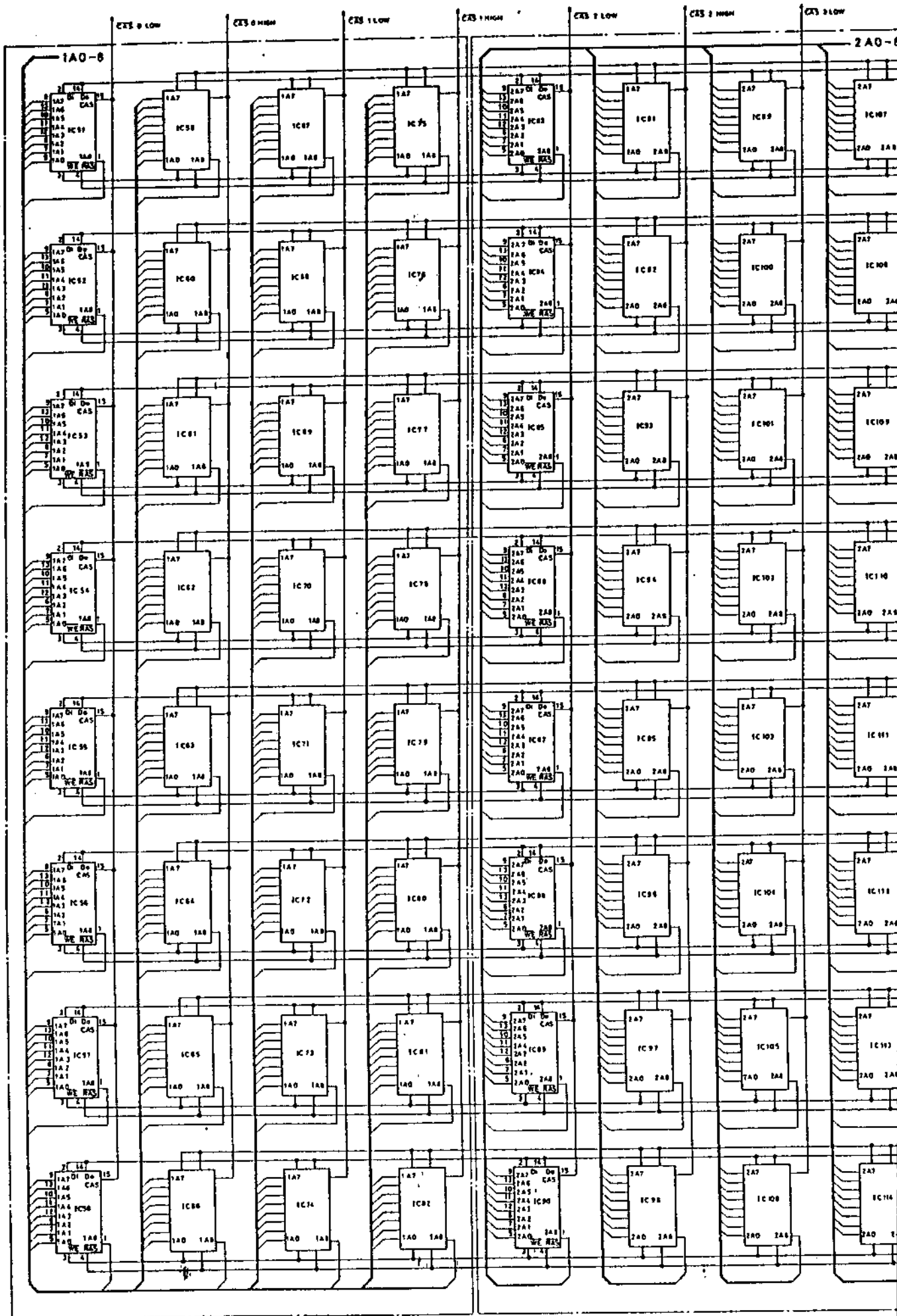
ACORN COMPUTERS Ltd

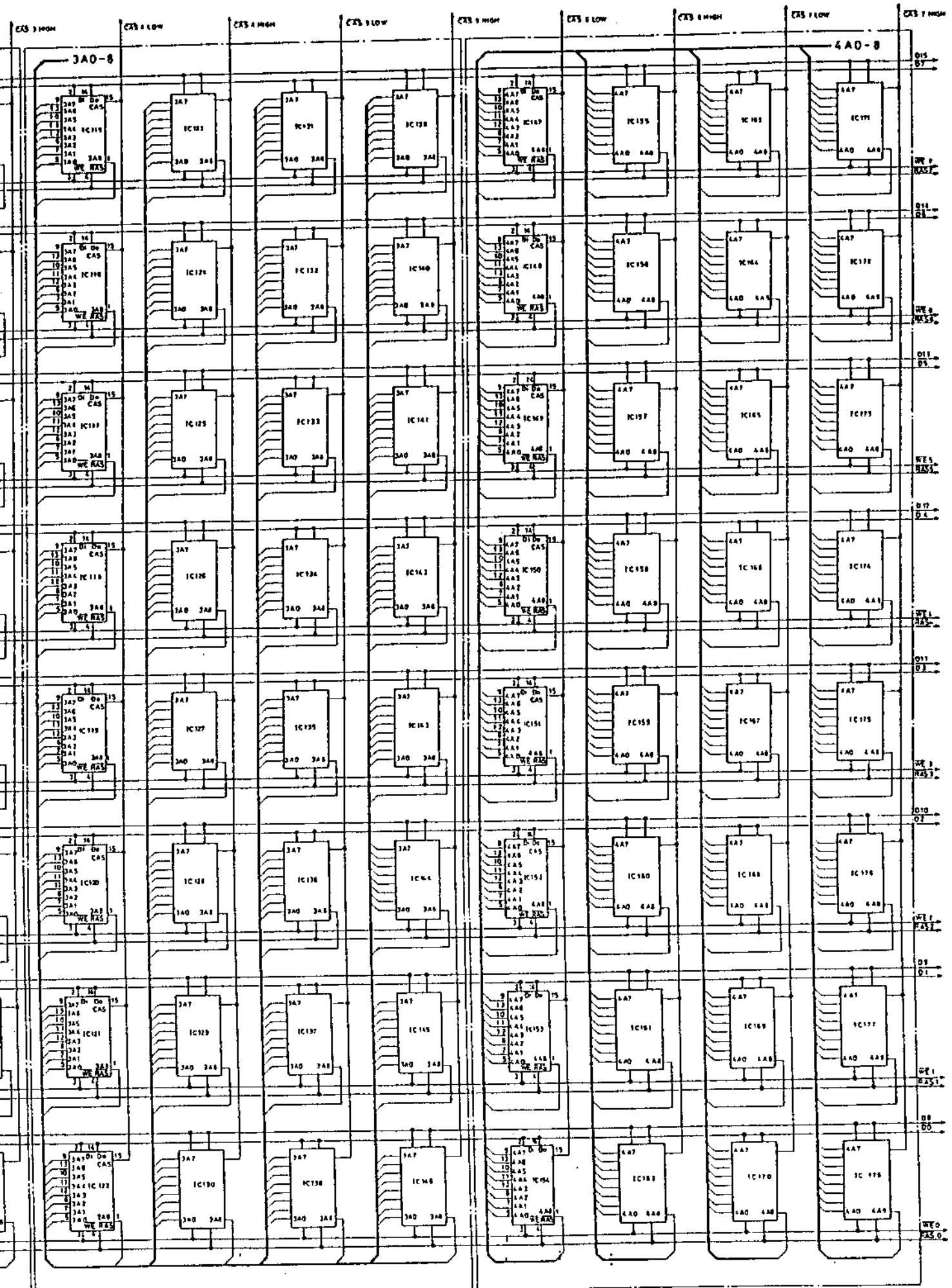
A0

DRG. No.

0116,100 / C

REV	DATE	BY	DESC OF CHANGE
1			
2			
3			
4			
5			
6			
7			
8			
9			
10			
11			
12			
13			
14			
15			
16			
17			
18			
19			
20			
21			
22			
23			
24			
25			
26			
27			
28			
29			
30			
31			
32			
33			
34			
35			
36			
37			
38			
39			
40			
41			
42			
43			
44			
45			
46			
47			
48			
49			
50			





This drawing is reserved by ACORN COMPUTERS and is to be used on condition that it is not copied, reproduced or distributed to a third party, either wholly or in part, without the written consent in writing of ACORN COMPUTERS LTD.



© COPYRIGHT 1984
 ACORN COMPUTERS LTD.
 FULBURN ROAD
 CHERRY HINTON
 CAMBRIDGE CB1 4JN
ACORN COMPUTERS Ltd

TITLE
 LARGE 32016 SECOND PROCESSOR
 SHEET 2 OF 2

A0 DRG. No.

B
+
C

BOTTOM*

*FXS, 4
*TYPE MEMRANG
XL

TOP

10 PRINT "

20 bot%="0

30 top%="07FFFE

35 FOR M% = 1 TO 8

40 PRINT "top%, "bot%, top%, botz

50 bot%=(top%+2)

60 top%=(bot%+07FFFE)

70 NEXT

>RUN

BOTTOM

0

524286

1048574

1572862

2097150

2621438

3145726

3670014

4194302

0

800000

1000000

1800000

2000000

2800000

3000000

3800000

TOP

7FFFE

FFFFE

17FFFE

1FFFFE

27FFFE

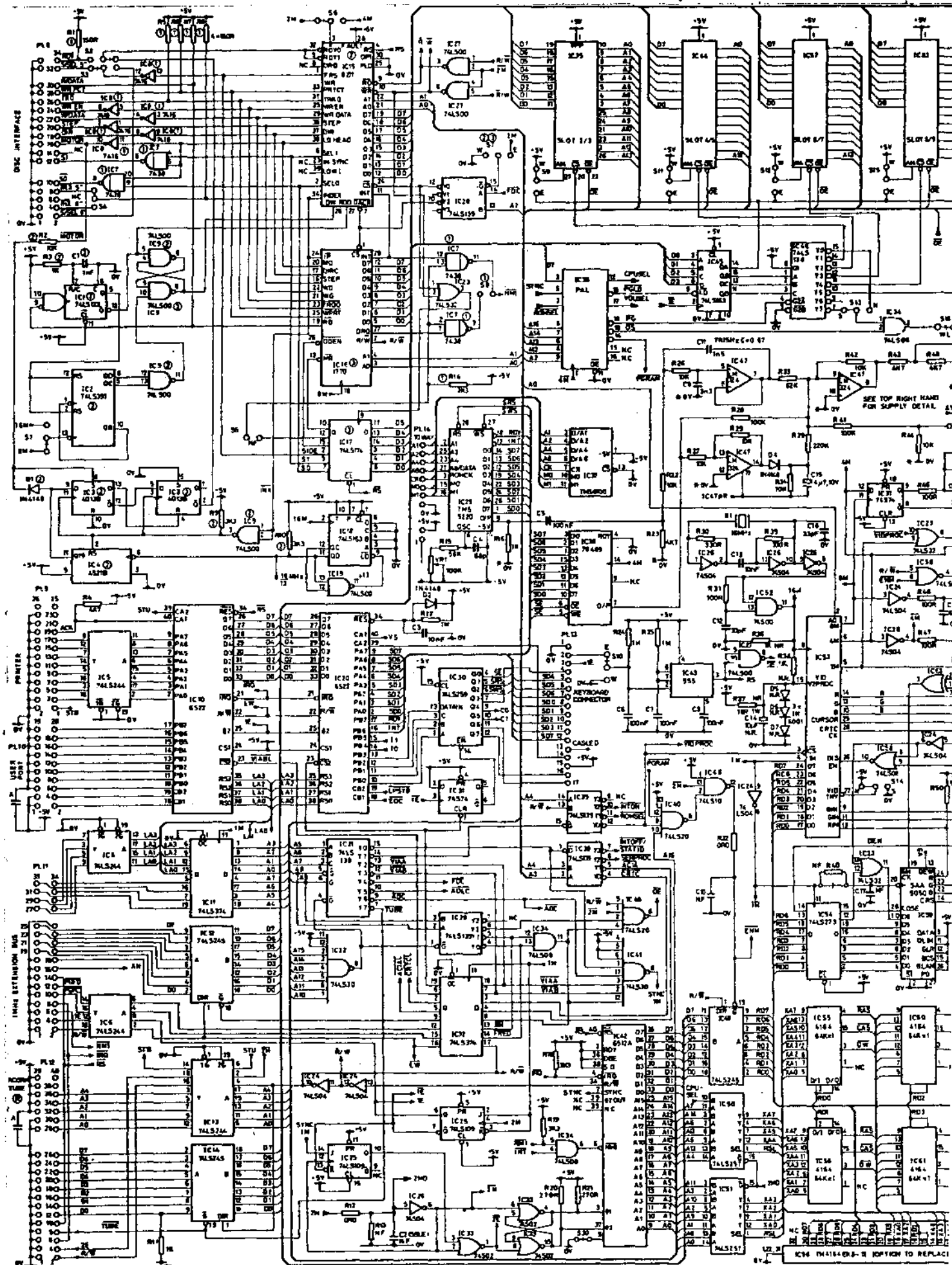
2FFFFE

37FFFE

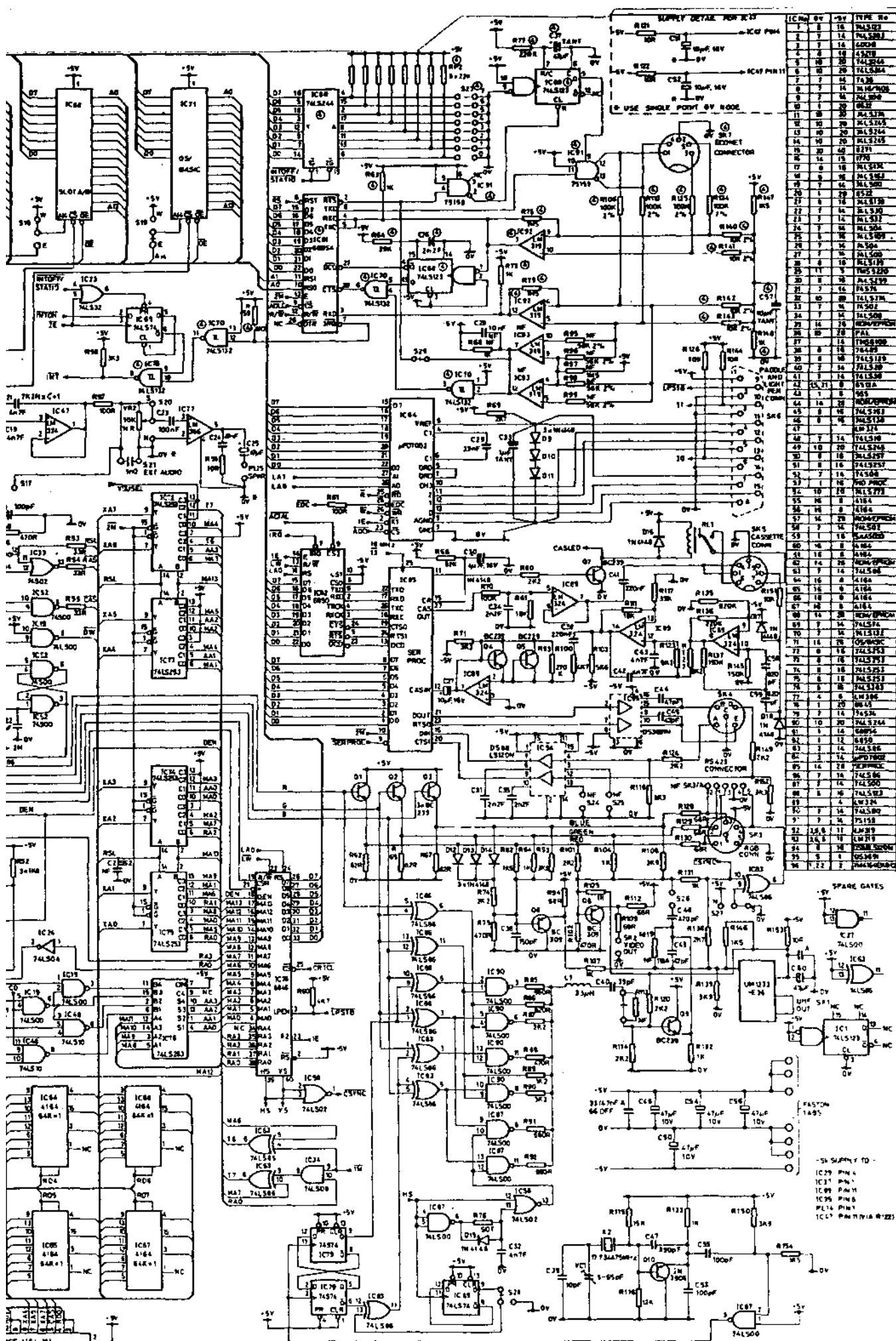
3FFFFE

>*SPCOL

IC100	IC101	IC102	IC103	IC104	IC105	IC106	IC107	IC108	IC109	IC110	IC111	IC112	IC113	IC114	IC115	IC116	IC117	IC118	IC119	IC120	IC121	IC122	IC123	IC124	IC125	IC126	IC127	IC128	IC129	IC130	IC131	IC132	IC133	IC134	IC135	IC136	IC137	IC138	IC139	IC140	IC141	IC142	IC143	IC144	IC145	IC146	IC147	IC148	IC149	IC150	IC151	IC152	IC153	IC154	IC155	IC156	IC157	IC158	IC159	IC160	IC161	IC162	IC163	IC164	IC165	IC166	IC167	IC168	IC169	IC170	IC171	IC172	IC173	IC174	IC175	IC176	IC177	IC178	IC179	IC180	IC181	IC182	IC183	IC184	IC185	IC186	IC187	IC188	IC189	IC190	IC191	IC192	IC193	IC194	IC195	IC196	IC197	IC198	IC199	IC200	IC201	IC202	IC203	IC204	IC205	IC206	IC207	IC208	IC209	IC210	IC211	IC212	IC213	IC214	IC215	IC216	IC217	IC218	IC219	IC220	IC221	IC222	IC223	IC224	IC225	IC226	IC227	IC228	IC229	IC230	IC231	IC232	IC233	IC234	IC235	IC236	IC237	IC238	IC239	IC240	IC241	IC242	IC243	IC244	IC245	IC246	IC247	IC248	IC249	IC250	IC251	IC252	IC253	IC254	IC255	IC256	IC257	IC258	IC259	IC260	IC261	IC262	IC263	IC264	IC265	IC266	IC267	IC268	IC269	IC270	IC271	IC272	IC273	IC274	IC275	IC276	IC277	IC278	IC279	IC280	IC281	IC282	IC283	IC284	IC285	IC286	IC287	IC288	IC289	IC290	IC291	IC292	IC293	IC294	IC295	IC296	IC297	IC298	IC299	IC300	IC301	IC302	IC303	IC304	IC305	IC306	IC307	IC308	IC309	IC310	IC311	IC312	IC313	IC314	IC315	IC316	IC317	IC318	IC319	IC320	IC321	IC322	IC323	IC324	IC325	IC326	IC327	IC328	IC329	IC330	IC331	IC332	IC333	IC334	IC335	IC336	IC337	IC338	IC339	IC340	IC341	IC342	IC343	IC344	IC345	IC346	IC347	IC348	IC349	IC350	IC351	IC352	IC353	IC354	IC355	IC356	IC357	IC358	IC359	IC360	IC361	IC362	IC363	IC364	IC365	IC366	IC367	IC368	IC369	IC370	IC371	IC372	IC373	IC374	IC375	IC376	IC377	IC378	IC379	IC380	IC381	IC382	IC383	IC384	IC385	IC386	IC387	IC388	IC389	IC390	IC391	IC392	IC393	IC394	IC395	IC396	IC397	IC398	IC399	IC400	IC401	IC402	IC403	IC404	IC405	IC406	IC407	IC408	IC409	IC410	IC411	IC412	IC413	IC414	IC415	IC416	IC417	IC418	IC419	IC420	IC421	IC422	IC423	IC424	IC425	IC426	IC427	IC428	IC429	IC430	IC431	IC432	IC433	IC434	IC435	IC436	IC437	IC438	IC439	IC440	IC441	IC442	IC443	IC444	IC445	IC446	IC447	IC448	IC449	IC450	IC451	IC452	IC453	IC454	IC455	IC456	IC457	IC458	IC459	IC460	IC461	IC462	IC463	IC464	IC465	IC466	IC467	IC468	IC469	IC470	IC471	IC472	IC473	IC474	IC475	IC476	IC477	IC478	IC479	IC480	IC481	IC482	IC483	IC484	IC485	IC486	IC487	IC488	IC489	IC490	IC491	IC492	IC493	IC494	IC495	IC496	IC497	IC498	IC499	IC500	IC501	IC502	IC503	IC504	IC505	IC506	IC507	IC508	IC509	IC510	IC511	IC512	IC513	IC514	IC515	IC516	IC517	IC518	IC519	IC520	IC521	IC522	IC523	IC524	IC525	IC526	IC527	IC528	IC529	IC530	IC531	IC532	IC533	IC534	IC535	IC536	IC537	IC538	IC539	IC540	IC541	IC542	IC543	IC544	IC545	IC546	IC547	IC548	IC549	IC550	IC551	IC552	IC553	IC554	IC555	IC556	IC557	IC558	IC559	IC560	IC561	IC562	IC563	IC564	IC565	IC566	IC567	IC568	IC569	IC570	IC571	IC572	IC573	IC574	IC575	IC576	IC577	IC578	IC579	IC580	IC581	IC582	IC583	IC584	IC585	IC586	IC587	IC588	IC589	IC590	IC591	IC592	IC593	IC594	IC595	IC596	IC597	IC598	IC599	IC600	IC601	IC602	IC603	IC604	IC605	IC606	IC607	IC608	IC609	IC610	IC611	IC612	IC613	IC614	IC615	IC616	IC617	IC618	IC619	IC620	IC621	IC622	IC623	IC624	IC625	IC626	IC627	IC628	IC629	IC630	IC631	IC632	IC633	IC634	IC635	IC636	IC637	IC638	IC639	IC640	IC641	IC642	IC643	IC644	IC645	IC646	IC647	IC648	IC649	IC650	IC651	IC652	IC653	IC654	IC655	IC656	IC657	IC658	IC659	IC660	IC661	IC662	IC663	IC664	IC665	IC666	IC667	IC668	IC669	IC670	IC671	IC672	IC673	IC674	IC675	IC676	IC677	IC678	IC679	IC680	IC681	IC682	IC683	IC684	IC685	IC686	IC687	IC688	IC689	IC690	IC691	IC692	IC693	IC694	IC695	IC696	IC697	IC698	IC699	IC700	IC701	IC702	IC703	IC704	IC705	IC706	IC707	IC708	IC709	IC710	IC711	IC712	IC713	IC714	IC715	IC716	IC717	IC718	IC719	IC720	IC721	IC722	IC723	IC724	IC725	IC726	IC727	IC728	IC729	IC730	IC731	IC732	IC733	IC734	IC735	IC736	IC737	IC738	IC739	IC740	IC741	IC742	IC743	IC744	IC745	IC746	IC747	IC748	IC749	IC750	IC751	IC752	IC753	IC754	IC755	IC756	IC757	IC758	IC759	IC760	IC761	IC762	IC763	IC764	IC765	IC766	IC767	IC768	IC769	IC770	IC771	IC772	IC773	IC774	IC775	IC776	IC777	IC778	IC779	IC780	IC781	IC782	IC783	IC784	IC785	IC786	IC787	IC788	IC789	IC790	IC791	IC792	IC793	IC794	IC795	IC796	IC797	IC798	IC799	IC800	IC801	IC802	IC803	IC804	IC805	IC806	IC807	IC808	IC809	IC810	IC811	IC812	IC813	IC814	IC815	IC816	IC817	IC818	IC819	IC820	IC821	IC822	IC823	IC824	IC825	IC826	IC827	IC828	IC829	IC830	IC831	IC832	IC833	IC834	IC835	IC836	IC837	IC838	IC839	IC840	IC841	IC842	IC843	IC844	IC845	IC846	IC847	IC848	IC849	IC850	IC851	IC852	IC853	IC854	IC855	IC856	IC857	IC858	IC859	IC860	IC861	IC862	IC863	IC864	IC865	IC866	IC867	IC868	IC869	IC870	IC871	IC872	IC873	IC874	IC875	IC876	IC877	IC878	IC879	IC880	IC881	IC882	IC883	IC884	IC885	IC886	IC887	IC888	IC889	IC890	IC891	IC892	IC893	IC894	IC895	IC896	IC897	IC898	IC899	IC900	IC901	IC902	IC903	IC904	IC905	IC906	IC907	IC908	IC909	IC910	IC911	IC912	IC913	IC914	IC915	IC916	IC917	IC918	IC919	IC920	IC921	IC922	IC923	IC924	IC925	IC926	IC927	IC928	IC929	IC930	IC931	IC932	IC933	IC934	IC935	IC936	IC937	IC938	IC939	IC940	IC941	IC942	IC943	IC944	IC945	IC946	IC947	IC948	IC949	IC950	IC951	IC952	IC953	IC954	IC955	IC956	IC957	IC958	IC959	IC960	IC961	IC962	IC963	IC964	IC965	IC966	IC967	IC968	IC969	IC970	IC971	IC972	IC973	IC974	IC975	IC976	IC977	IC978	IC979	IC980	IC981	IC982	IC983	IC984	IC985	IC986	IC987	IC988	IC989	IC990	IC991	IC992	IC993	IC994	IC995	IC996	IC997	IC998	IC999	IC1000	IC1001	IC1002	IC1003	IC1004	IC1005	IC1006	IC1007	IC1008	IC1009	IC1010	IC1011	IC1012	IC1013	IC1014	IC1015	IC1016	IC1017	IC1018	IC1019	IC1020	IC1021	IC1022	IC1023	IC1024	IC1025	IC1026	IC1027	IC1028	IC1029	IC1030	IC1031	IC1032	IC1033	IC1034	IC1035	IC1036	IC1037	IC1038	IC1039	IC1040	IC1041	IC1042	IC1043	IC1044	IC1045	IC1046	IC1047	IC1048	IC1049	IC1050	IC1051	IC1052	IC1053	IC1054	IC1055	IC1056	IC1057	IC1058	IC1059	IC1060	IC1061	IC1062	IC1063	IC1064	IC1065	IC1066	IC1067	IC1068	IC1069	IC1070	IC1071	IC1072	IC1073	IC1074	IC1075	IC1076	IC1077	IC1078	IC1079	IC1080	IC1081	IC1082	IC1083	IC1084	IC1085	IC1086	IC1087	IC1088	IC1089	IC1090	IC1091	IC1092	IC1093	IC1094	IC1095	IC1096	IC1097	IC1098	IC1099	IC1100	IC1101	IC1102	IC1103	IC1104	IC1105	IC1106	IC1107	IC1108	IC1109	IC1110	IC1111	IC1112	IC1113	IC1114	IC1115	IC1116	IC1117	IC1118	IC1119	IC1120	IC1121	IC1122	IC1123	IC1124	IC1125	IC1126	IC1127	IC1128	IC1129	IC1130	IC1131	IC1132	IC1133	IC1134	IC1135	IC1136	IC1137	IC1138	IC1139	IC1140	IC1141	IC1142	IC1143	IC1144	IC1145	IC1146	IC1147	IC1148	IC1149	IC1150	IC1151	IC1152	IC1153	IC1154	IC1155	IC1156	IC1157	IC1158	IC1159	IC1160	IC1161	IC1162	IC1163	IC1164	IC1165	IC1166	IC1167	IC1168	IC1169	IC1170	IC1171	IC1172	IC1173	IC1174	IC1175	IC1176	IC1177	IC1178	IC1179	IC1180	IC1181	IC1182	IC1183	IC1184	IC1185	IC1186	IC1187	IC1188	IC1189	IC1190	IC1191	IC1192	IC1193	IC1194	IC1195	IC1196	IC1197	IC1198	IC1199	IC1200	IC1201	IC1202	IC1203	IC1204	IC1205	IC1206	IC1207	IC1208	IC1209	IC1210	IC1211	IC1212	IC1213	IC1214	IC1215	IC1216	IC1217	IC1218	IC1219	IC1220	IC1221	IC1222	IC1223	IC1224	IC1225	IC1226	IC1227	IC1228	IC1229	IC1230	IC1231	IC1232	IC1233	IC1234	IC1235	IC1236	IC1237	IC1238	IC1239	IC1240	IC1241	IC1242	IC1243	IC1244	IC1245	IC1246	IC1247	IC1248	IC1249	IC1250	IC1251	IC1252	IC1253	IC1254	IC1255	IC1256	IC1257	IC1258	IC1259	IC1260	IC1261
-------	-------	-------	-------	-------	-------	-------	-------	-------	-------	-------	-------	-------	-------	-------	-------	-------	-------	-------	-------	-------	-------	-------	-------	-------	-------	-------	-------	-------	-------	-------	-------	-------	-------	-------	-------	-------	-------	-------	-------	-------	-------	-------	-------	-------	-------	-------	-------	-------	-------	-------	-------	-------	-------	-------	-------	-------	-------	-------	-------	-------	-------	-------	-------	-------	-------	-------	-------	-------	-------	-------	-------	-------	-------	-------	-------	-------	-------	-------	-------	-------	-------	-------	-------	-------	-------	-------	-------	-------	-------	-------	-------	-------	-------	-------	-------	-------	-------	-------	-------	-------	-------	-------	-------	-------	-------	-------	-------	-------	-------	-------	-------	-------	-------	-------	-------	-------	-------	-------	-------	-------	-------	-------	-------	-------	-------	-------	-------	-------	-------	-------	-------	-------	-------	-------	-------	-------	-------	-------	-------	-------	-------	-------	-------	-------	-------	-------	-------	-------	-------	-------	-------	-------	-------	-------	-------	-------	-------	-------	-------	-------	-------	-------	-------	-------	-------	-------	-------	-------	-------	-------	-------	-------	-------	-------	-------	-------	-------	-------	-------	-------	-------	-------	-------	-------	-------	-------	-------	-------	-------	-------	-------	-------	-------	-------	-------	-------	-------	-------	-------	-------	-------	-------	-------	-------	-------	-------	-------	-------	-------	-------	-------	-------	-------	-------	-------	-------	-------	-------	-------	-------	-------	-------	-------	-------	-------	-------	-------	-------	-------	-------	-------	-------	-------	-------	-------	-------	-------	-------	-------	-------	-------	-------	-------	-------	-------	-------	-------	-------	-------	-------	-------	-------	-------	-------	-------	-------	-------	-------	-------	-------	-------	-------	-------	-------	-------	-------	-------	-------	-------	-------	-------	-------	-------	-------	-------	-------	-------	-------	-------	-------	-------	-------	-------	-------	-------	-------	-------	-------	-------	-------	-------	-------	-------	-------	-------	-------	-------	-------	-------	-------	-------	-------	-------	-------	-------	-------	-------	-------	-------	-------	-------	-------	-------	-------	-------	-------	-------	-------	-------	-------	-------	-------	-------	-------	-------	-------	-------	-------	-------	-------	-------	-------	-------	-------	-------	-------	-------	-------	-------	-------	-------	-------	-------	-------	-------	-------	-------	-------	-------	-------	-------	-------	-------	-------	-------	-------	-------	-------	-------	-------	-------	-------	-------	-------	-------	-------	-------	-------	-------	-------	-------	-------	-------	-------	-------	-------	-------	-------	-------	-------	-------	-------	-------	-------	-------	-------	-------	-------	-------	-------	-------	-------	-------	-------	-------	-------	-------	-------	-------	-------	-------	-------	-------	-------	-------	-------	-------	-------	-------	-------	-------	-------	-------	-------	-------	-------	-------	-------	-------	-------	-------	-------	-------	-------	-------	-------	-------	-------	-------	-------	-------	-------	-------	-------	-------	-------	-------	-------	-------	-------	-------	-------	-------	-------	-------	-------	-------	-------	-------	-------	-------	-------	-------	-------	-------	-------	-------	-------	-------	-------	-------	-------	-------	-------	-------	-------	-------	-------	-------	-------	-------	-------	-------	-------	-------	-------	-------	-------	-------	-------	-------	-------	-------	-------	-------	-------	-------	-------	-------	-------	-------	-------	-------	-------	-------	-------	-------	-------	-------	-------	-------	-------	-------	-------	-------	-------	-------	-------	-------	-------	-------	-------	-------	-------	-------	-------	-------	-------	-------	-------	-------	-------	-------	-------	-------	-------	-------	-------	-------	-------	-------	-------	-------	-------	-------	-------	-------	-------	-------	-------	-------	-------	-------	-------	-------	-------	-------	-------	-------	-------	-------	-------	-------	-------	-------	-------	-------	-------	-------	-------	-------	-------	-------	-------	-------	-------	-------	-------	-------	-------	-------	-------	-------	-------	-------	-------	-------	-------	-------	-------	-------	-------	-------	-------	-------	-------	-------	-------	-------	-------	-------	-------	-------	-------	-------	-------	-------	-------	-------	-------	-------	-------	-------	-------	-------	-------	-------	-------	-------	-------	-------	-------	-------	-------	-------	-------	-------	-------	-------	-------	-------	-------	-------	-------	-------	-------	-------	-------	-------	-------	-------	-------	-------	-------	-------	-------	-------	-------	-------	-------	-------	-------	-------	-------	-------	-------	-------	-------	-------	-------	-------	-------	-------	-------	-------	-------	-------	-------	-------	-------	-------	-------	-------	-------	-------	-------	-------	-------	-------	-------	-------	-------	-------	-------	-------	-------	-------	-------	-------	-------	-------	-------	-------	-------	-------	-------	-------	-------	-------	-------	-------	-------	-------	-------	-------	-------	-------	-------	-------	-------	-------	-------	-------	-------	-------	-------	-------	-------	-------	-------	-------	-------	-------	-------	-------	-------	-------	-------	-------	-------	-------	-------	-------	-------	-------	-------	-------	-------	-------	-------	-------	-------	-------	-------	-------	-------	-------	-------	-------	-------	-------	-------	-------	-------	-------	-------	-------	-------	-------	-------	-------	-------	-------	-------	-------	-------	-------	-------	-------	-------	-------	-------	-------	-------	-------	-------	-------	-------	-------	-------	-------	-------	-------	-------	-------	-------	-------	-------	-------	-------	-------	-------	-------	-------	-------	-------	-------	-------	-------	-------	-------	-------	-------	-------	-------	-------	-------	-------	-------	-------	-------	-------	-------	-------	-------	-------	-------	-------	-------	-------	-------	-------	-------	-------	-------	-------	-------	-------	-------	-------	-------	-------	-------	-------	-------	-------	-------	-------	-------	-------	-------	-------	-------	-------	-------	-------	-------	-------	-------	-------	-------	-------	-------	-------	-------	-------	-------	-------	-------	-------	-------	-------	-------	-------	-------	-------	-------	-------	-------	-------	-------	-------	-------	-------	-------	-------	-------	-------	-------	-------	-------	-------	-------	-------	-------	-------	-------	-------	-------	-------	-------	-------	-------	-------	-------	-------	-------	-------	-------	-------	-------	-------	-------	-------	-------	-------	-------	-------	-------	--------	--------	--------	--------	--------	--------	--------	--------	--------	--------	--------	--------	--------	--------	--------	--------	--------	--------	--------	--------	--------	--------	--------	--------	--------	--------	--------	--------	--------	--------	--------	--------	--------	--------	--------	--------	--------	--------	--------	--------	--------	--------	--------	--------	--------	--------	--------	--------	--------	--------	--------	--------	--------	--------	--------	--------	--------	--------	--------	--------	--------	--------	--------	--------	--------	--------	--------	--------	--------	--------	--------	--------	--------	--------	--------	--------	--------	--------	--------	--------	--------	--------	--------	--------	--------	--------	--------	--------	--------	--------	--------	--------	--------	--------	--------	--------	--------	--------	--------	--------	--------	--------	--------	--------	--------	--------	--------	--------	--------	--------	--------	--------	--------	--------	--------	--------	--------	--------	--------	--------	--------	--------	--------	--------	--------	--------	--------	--------	--------	--------	--------	--------	--------	--------	--------	--------	--------	--------	--------	--------	--------	--------	--------	--------	--------	--------	--------	--------	--------	--------	--------	--------	--------	--------	--------	--------	--------	--------	--------	--------	--------	--------	--------	--------	--------	--------	--------	--------	--------	--------	--------	--------	--------	--------	--------	--------	--------	--------	--------	--------	--------	--------	--------	--------	--------	--------	--------	--------	--------	--------	--------	--------	--------	--------	--------	--------	--------	--------	--------	--------	--------	--------	--------	--------	--------	--------	--------	--------	--------	--------	--------	--------	--------	--------	--------	--------	--------	--------	--------	--------	--------	--------	--------	--------	--------	--------	--------	--------	--------	--------	--------	--------	--------	--------	--------	--------	--------	--------	--------	--------	--------	--------	--------	--------	--------	--------	--------	--------	--------	--------	--------	--------	--------	--------	--------	--------	--------	--------	--------	--------	--------	--------



PCB circuit diagram



IC No	QTY	TYPE	FO
1	1	74LS00	10
2	1	74LS00	10
3	1	74LS00	10
4	1	74LS00	10
5	1	74LS00	10
6	1	74LS00	10
7	1	74LS00	10
8	1	74LS00	10
9	1	74LS00	10
10	1	74LS00	10
11	1	74LS00	10
12	1	74LS00	10
13	1	74LS00	10
14	1	74LS00	10
15	1	74LS00	10
16	1	74LS00	10
17	1	74LS00	10
18	1	74LS00	10
19	1	74LS00	10
20	1	74LS00	10
21	1	74LS00	10
22	1	74LS00	10
23	1	74LS00	10
24	1	74LS00	10
25	1	74LS00	10
26	1	74LS00	10
27	1	74LS00	10
28	1	74LS00	10
29	1	74LS00	10
30	1	74LS00	10
31	1	74LS00	10
32	1	74LS00	10
33	1	74LS00	10
34	1	74LS00	10
35	1	74LS00	10
36	1	74LS00	10
37	1	74LS00	10
38	1	74LS00	10
39	1	74LS00	10
40	1	74LS00	10
41	1	74LS00	10
42	1	74LS00	10
43	1	74LS00	10
44	1	74LS00	10
45	1	74LS00	10
46	1	74LS00	10
47	1	74LS00	10
48	1	74LS00	10
49	1	74LS00	10
50	1	74LS00	10
51	1	74LS00	10
52	1	74LS00	10
53	1	74LS00	10
54	1	74LS00	10
55	1	74LS00	10
56	1	74LS00	10
57	1	74LS00	10
58	1	74LS00	10
59	1	74LS00	10
60	1	74LS00	10
61	1	74LS00	10
62	1	74LS00	10
63	1	74LS00	10
64	1	74LS00	10
65	1	74LS00	10
66	1	74LS00	10
67	1	74LS00	10
68	1	74LS00	10
69	1	74LS00	10
70	1	74LS00	10
71	1	74LS00	10
72	1	74LS00	10
73	1	74LS00	10
74	1	74LS00	10
75	1	74LS00	10
76	1	74LS00	10
77	1	74LS00	10
78	1	74LS00	10
79	1	74LS00	10
80	1	74LS00	10
81	1	74LS00	10
82	1	74LS00	10
83	1	74LS00	10
84	1	74LS00	10
85	1	74LS00	10
86	1	74LS00	10
87	1	74LS00	10
88	1	74LS00	10
89	1	74LS00	10
90	1	74LS00	10
91	1	74LS00	10
92	1	74LS00	10
93	1	74LS00	10
94	1	74LS00	10
95	1	74LS00	10
96	1	74LS00	10

SPARE GATES

IC67 74LS00

IC68 74LS00

IC69 74LS00

IC70 74LS00

IC71 74LS00

IC72 74LS00

IC73 74LS00

IC74 74LS00

IC75 74LS00

IC76 74LS00

IC77 74LS00

IC78 74LS00

IC79 74LS00

IC80 74LS00

IC81 74LS00

IC82 74LS00

IC83 74LS00

IC84 74LS00

IC85 74LS00

IC86 74LS00

IC87 74LS00

IC88 74LS00

IC89 74LS00

IC90 74LS00

IC91 74LS00

IC92 74LS00

IC93 74LS00

IC94 74LS00

IC95 74LS00

IC96 74LS00

IC97 74LS00

IC98 74LS00

IC99 74LS00

IC100 74LS00

IC101 74LS00

IC102 74LS00

IC103 74LS00

IC104 74LS00

IC105 74LS00

IC106 74LS00

IC107 74LS00

IC108 74LS00

IC109 74LS00

IC110 74LS00

FASTON 1A95

-5V SUPPLY TO

IC29 PIN 4

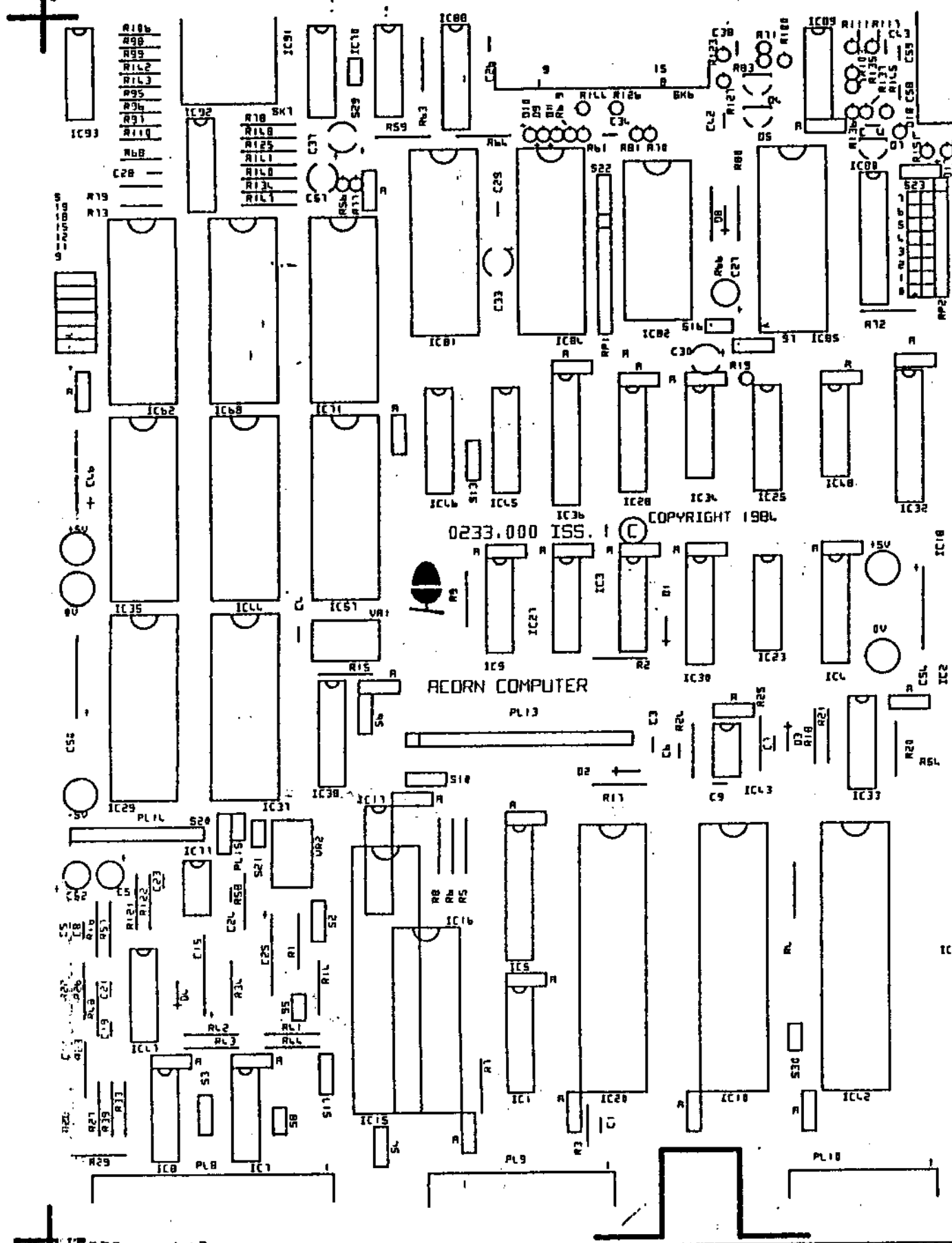
IC31 PIN 4

IC66 PIN 1

IC96 PIN 6


PL14 PIN 7

IC17 PIN 10 (R22)

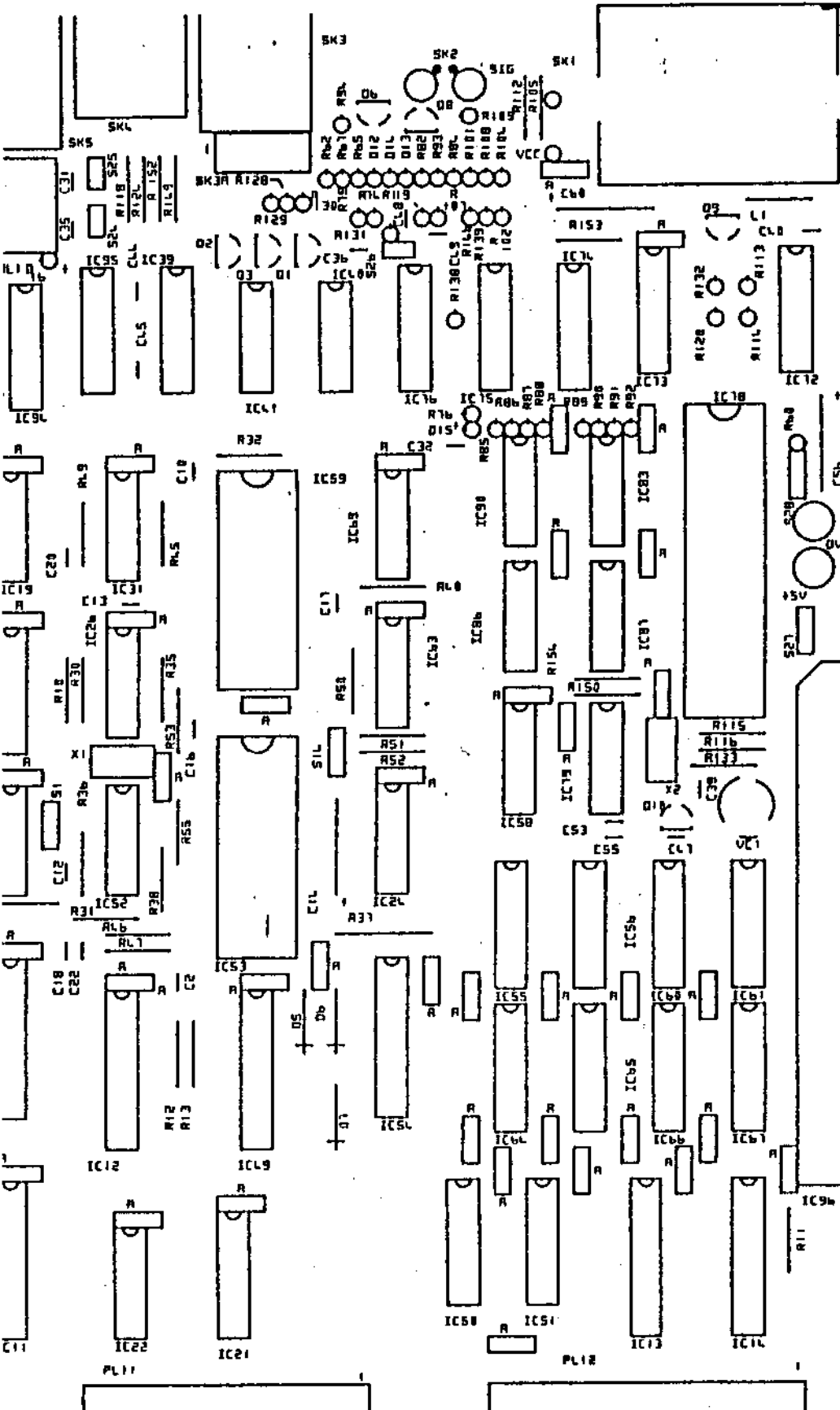


0233.000 ISS. 1
 COPYRIGHT 1984

ACORN COMPUTER

	IBM CONTROL BOARD	ISS	DATE
	SIDE	SS	6.84
		DRG. NO.	0233.0

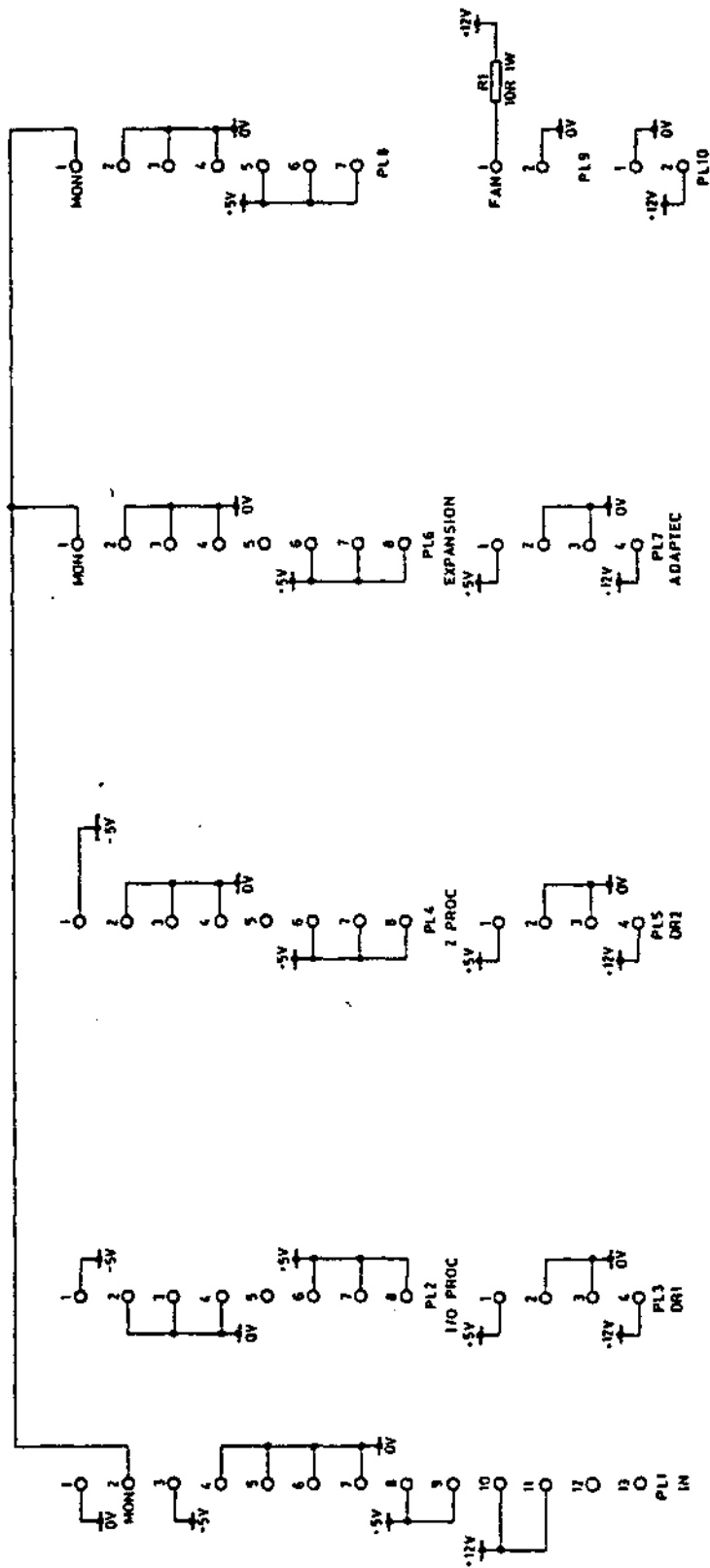
2.000 0.005 INS



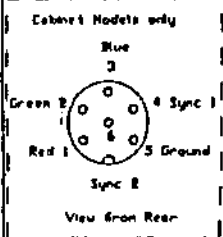
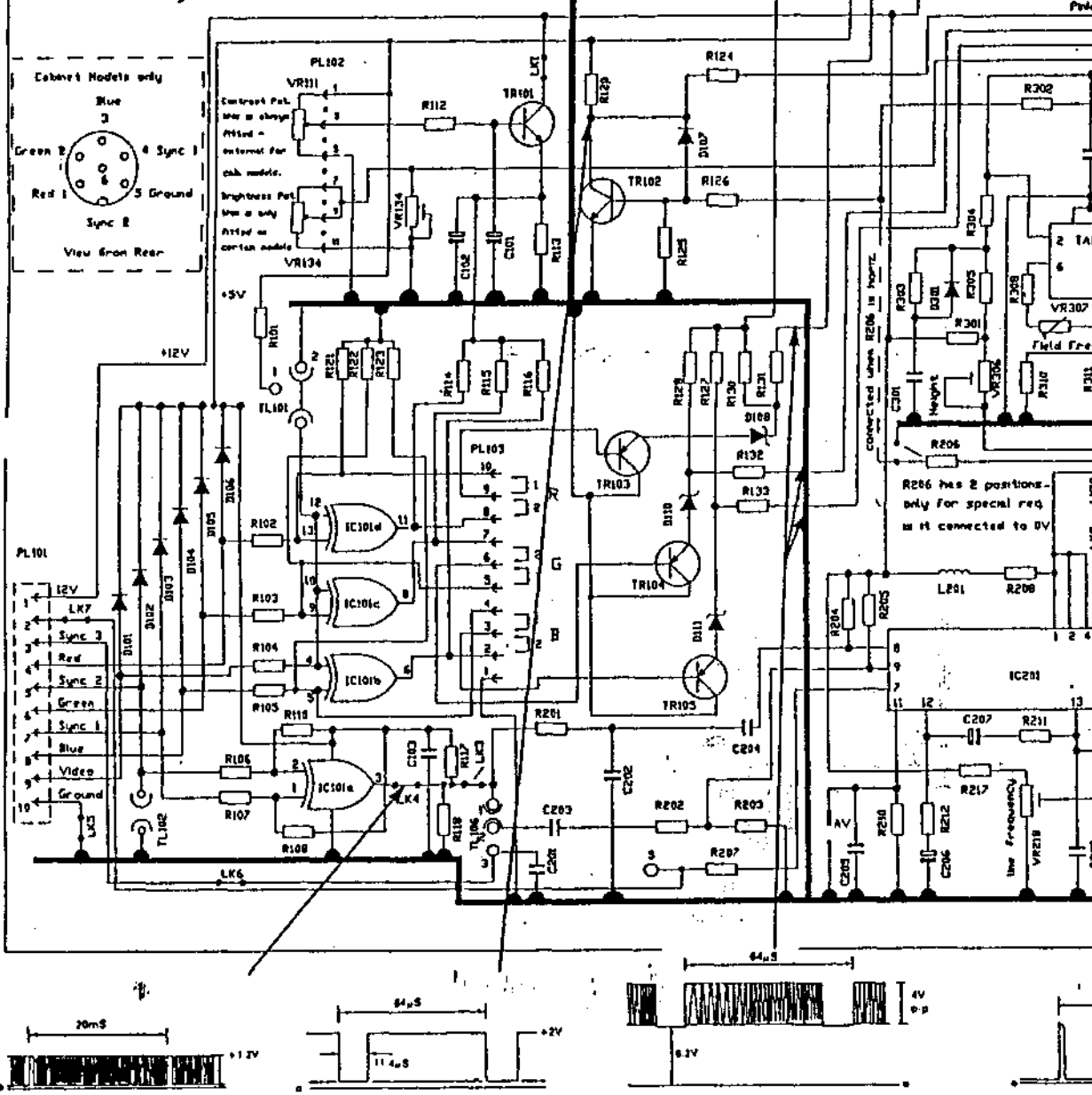
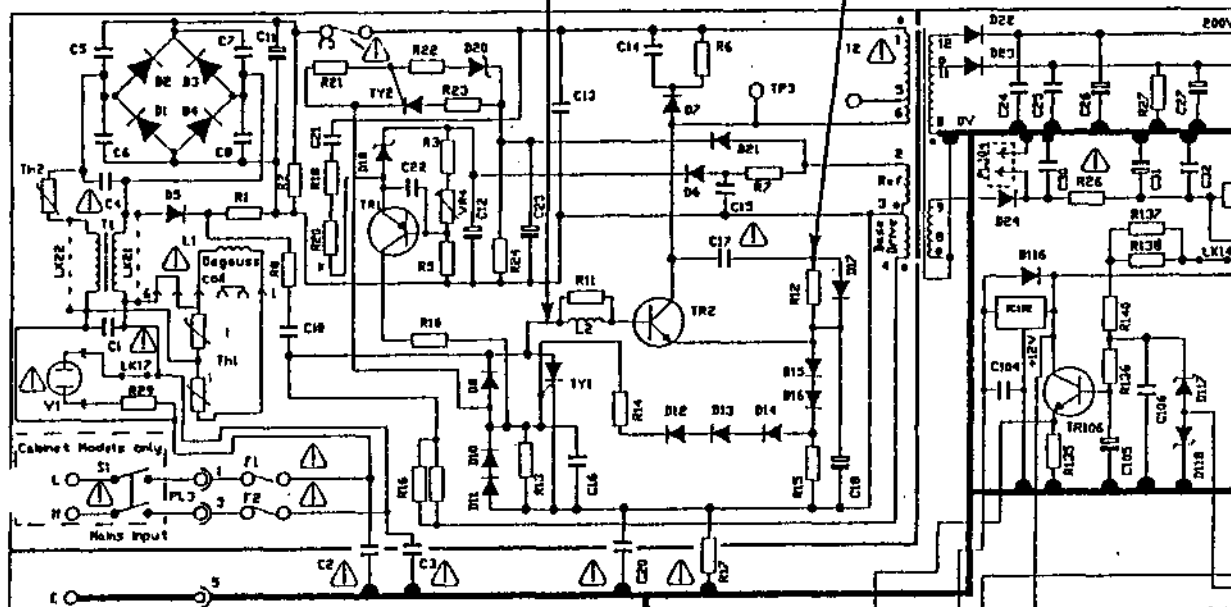
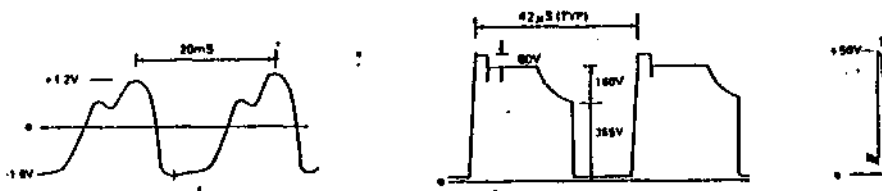
(11)

DRN	DIGO	CHKD
MAC		
00		



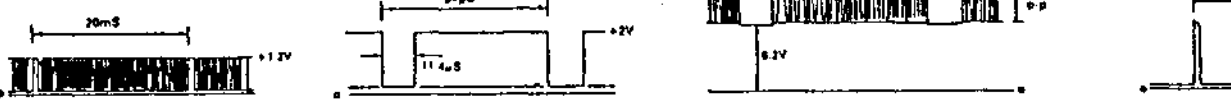


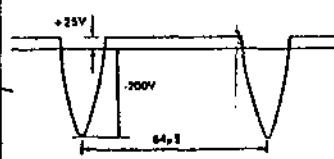
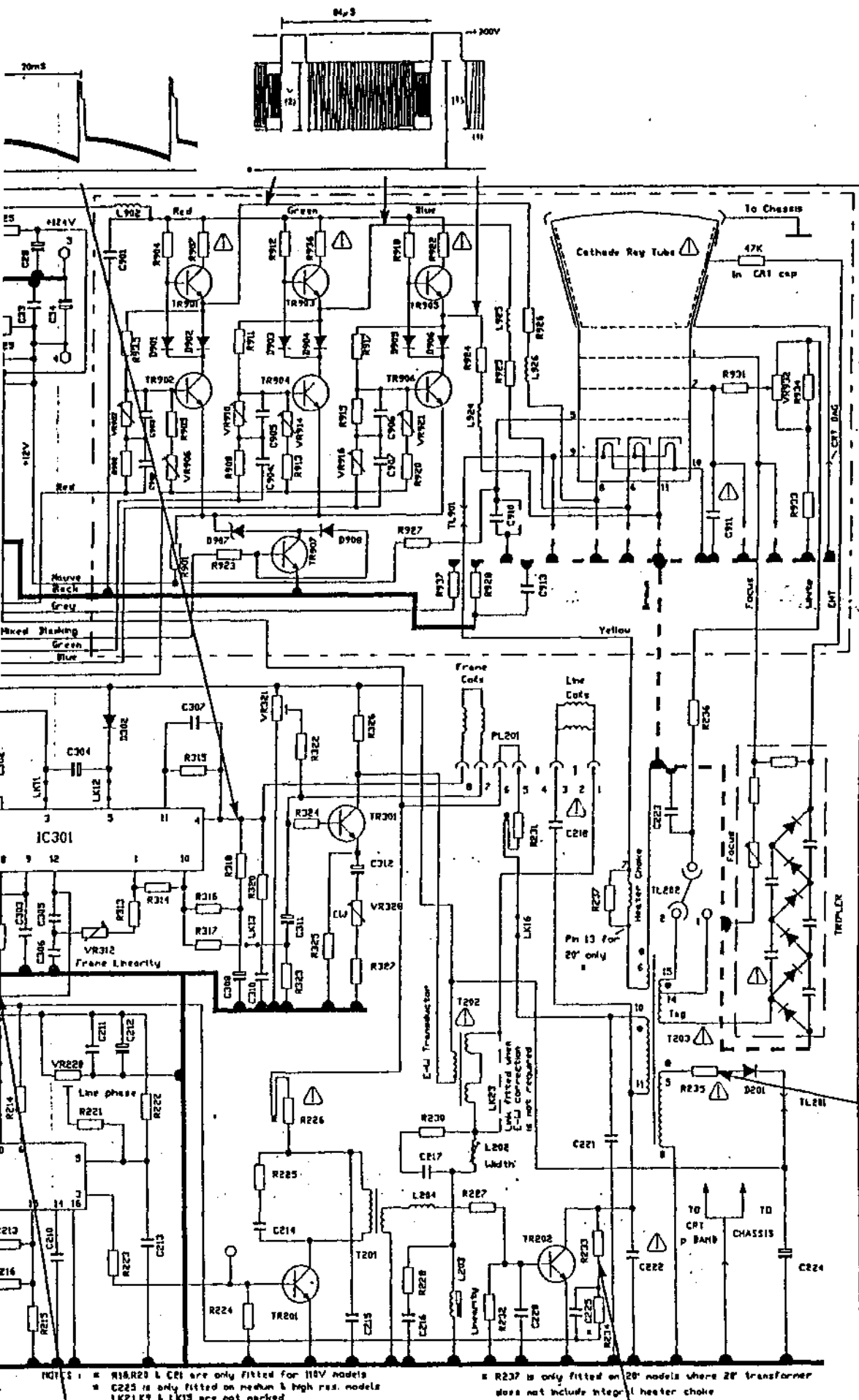
POWER DISTRIBUTION PCB



Contrast Pot. Use as always fitted - internal for cab. models.
 Brightness Pot. Use as only fitted in certain models.

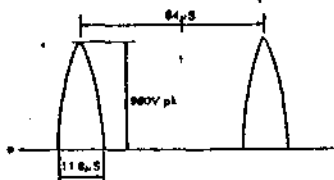
R206 has 2 positions - only for special req. in it connected to 0V



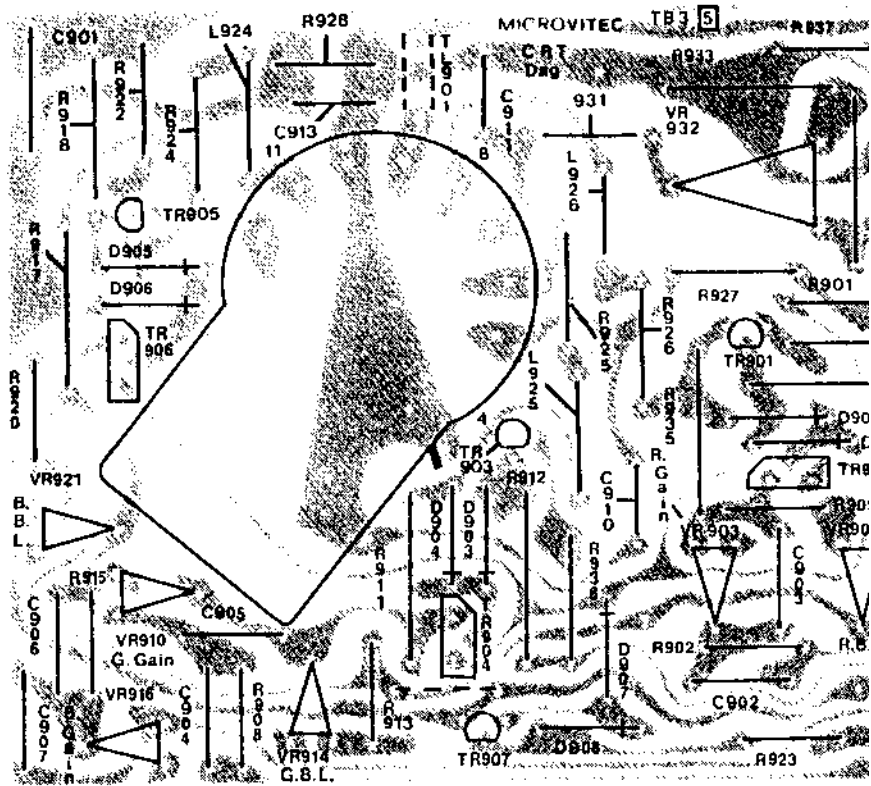


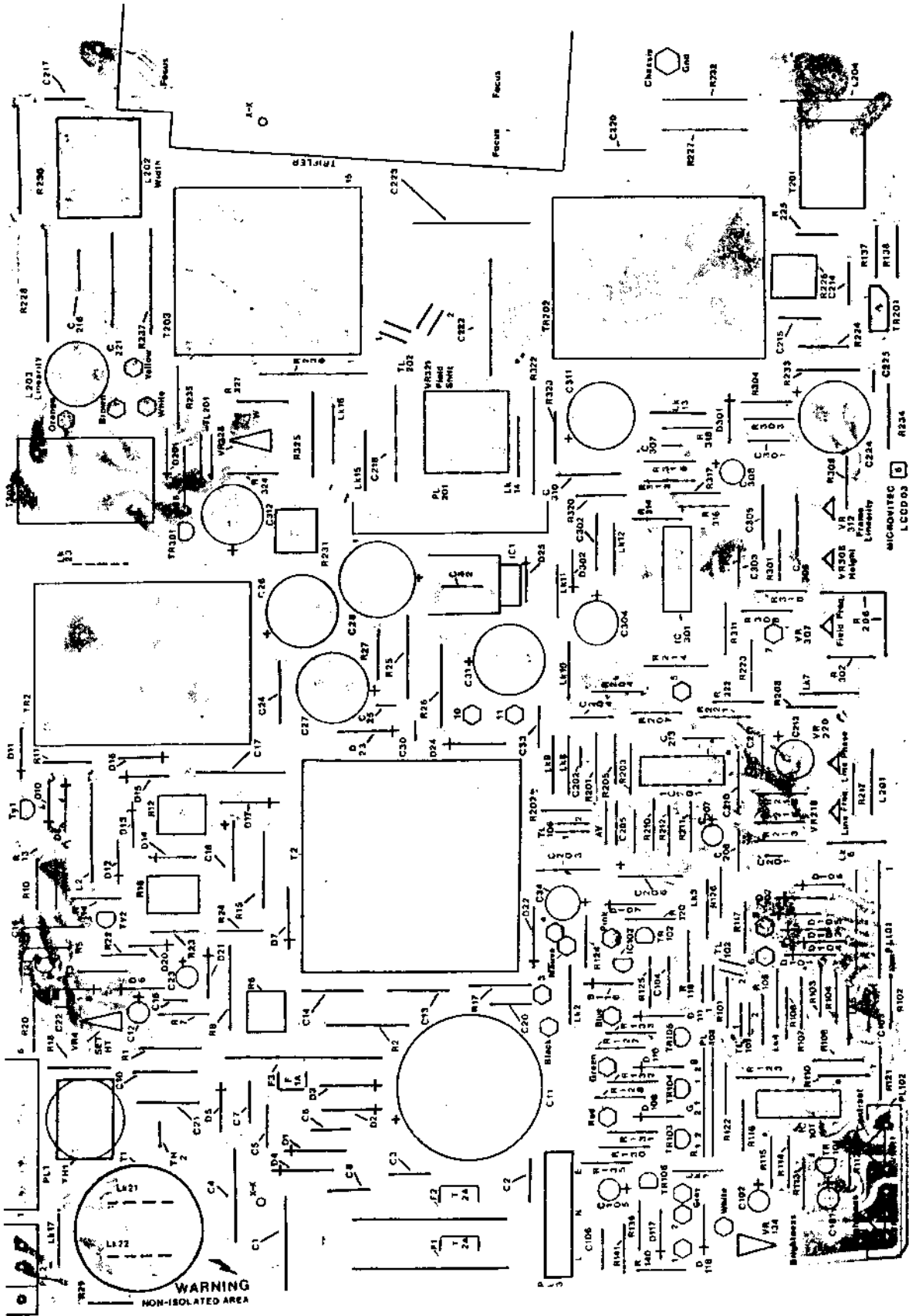
NOTE: * R18,R20 & C81 are only fitted for 110V models
 * C225 is only fitted on medium & high res. models
 LK2,LK7 & LK13 are not needed

* R237 is only fitted on 20" models where 20" transformer does not include integral heater choke

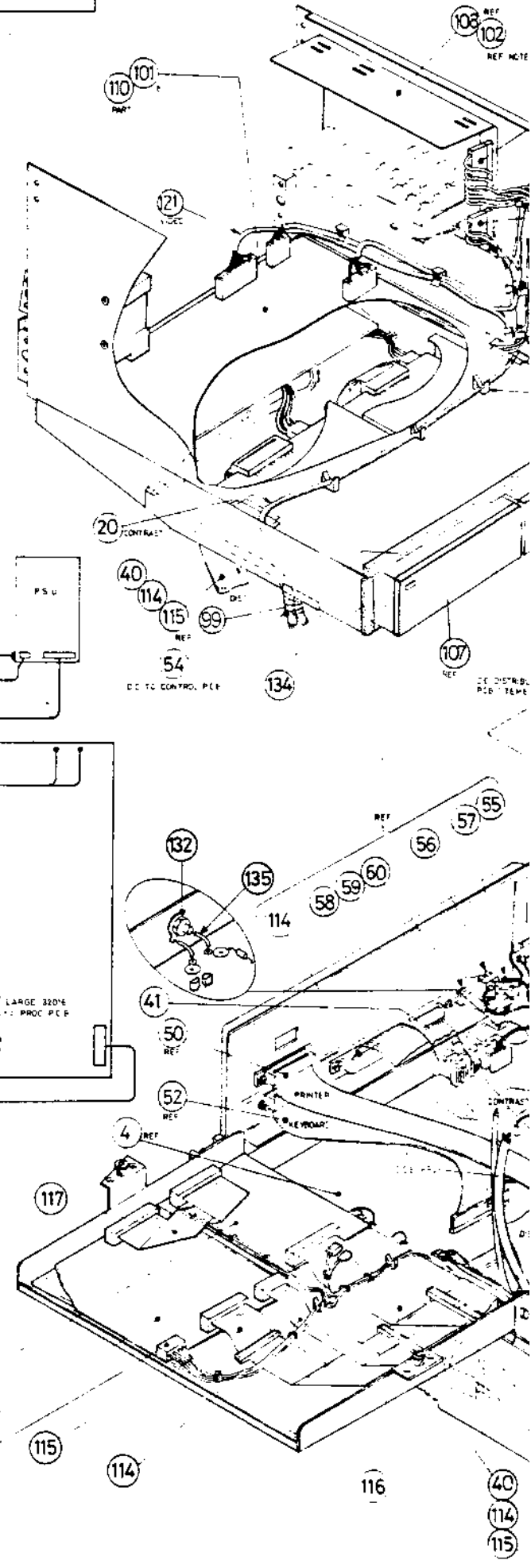
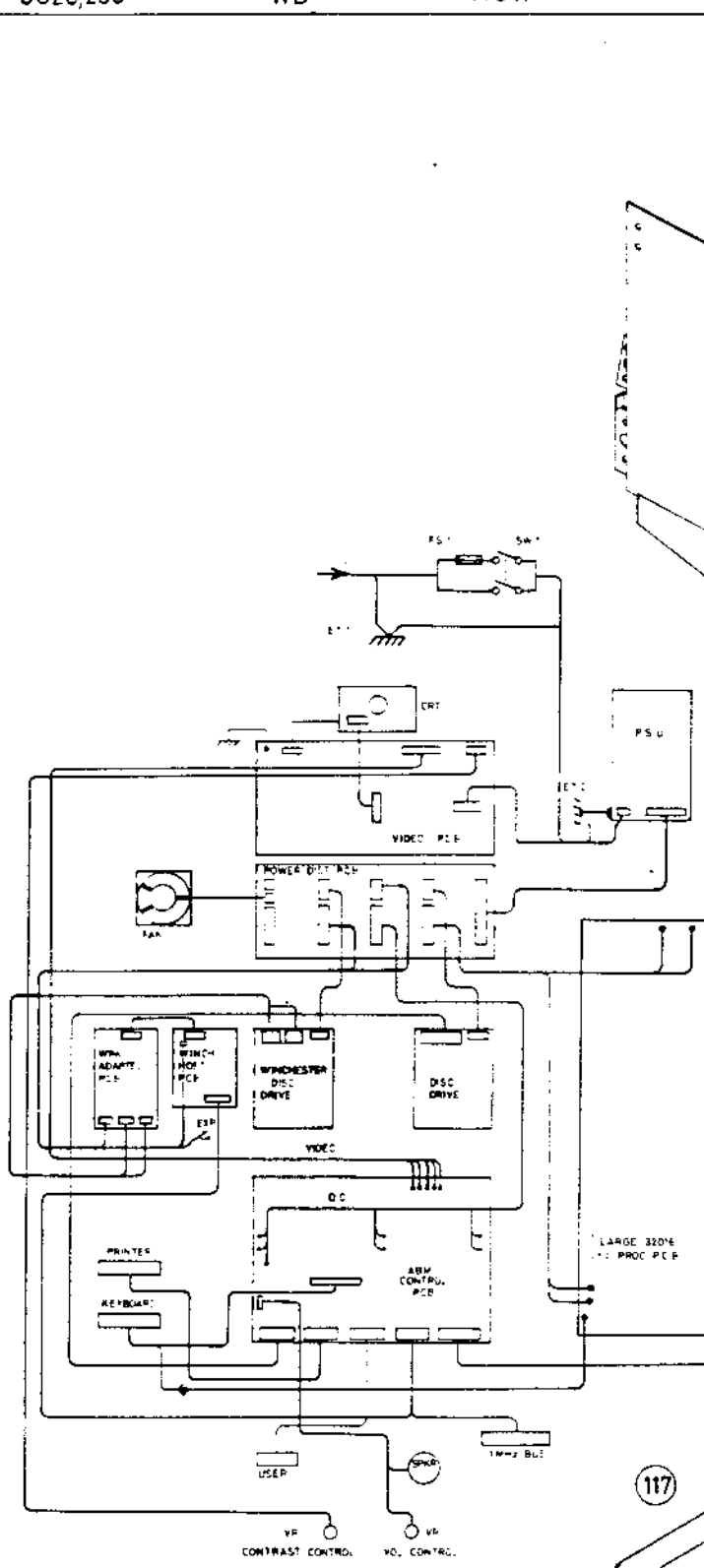


STANDARD/MEDIUM RESOLUTION TUBE BASE





MAIN PCB LAYOUT



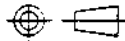
101 6
101 7

113 115

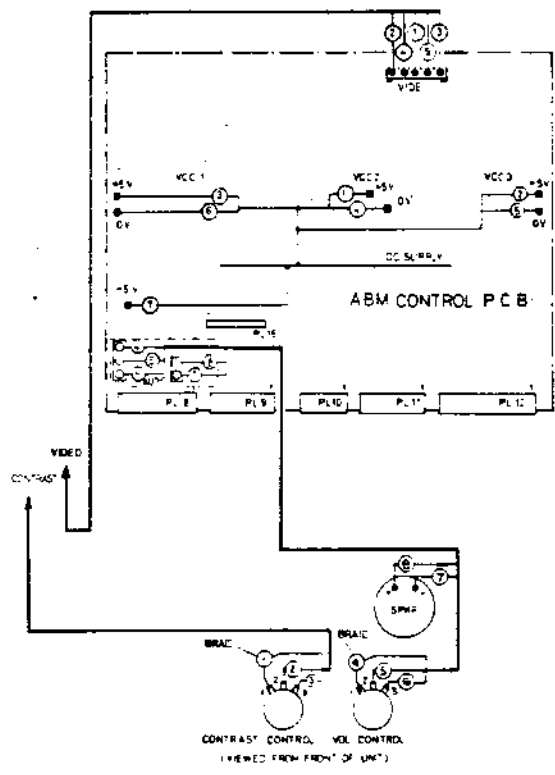
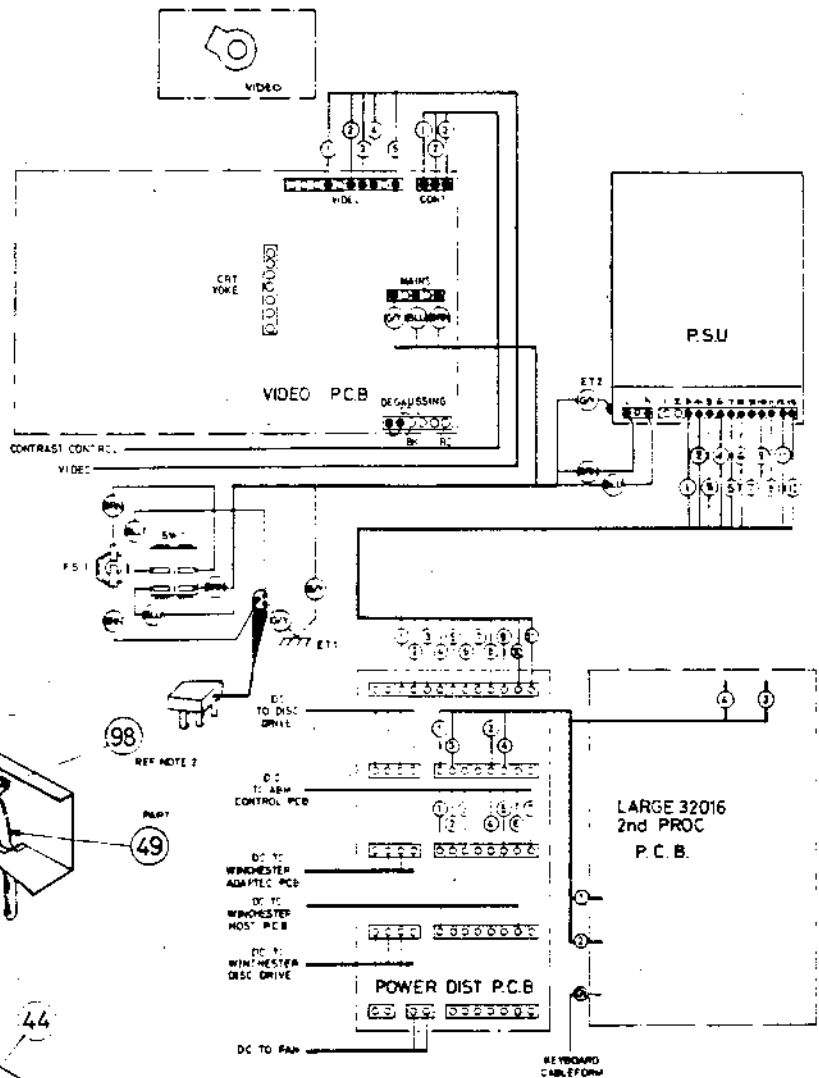
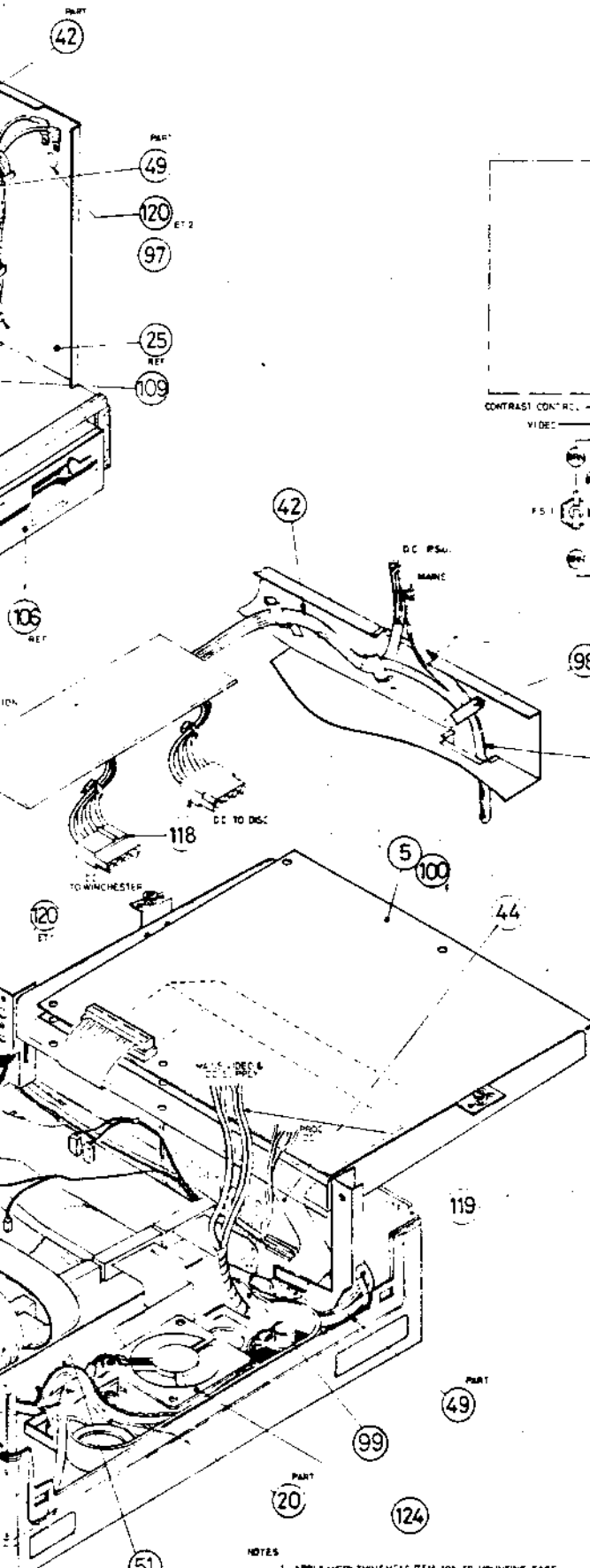
114

116

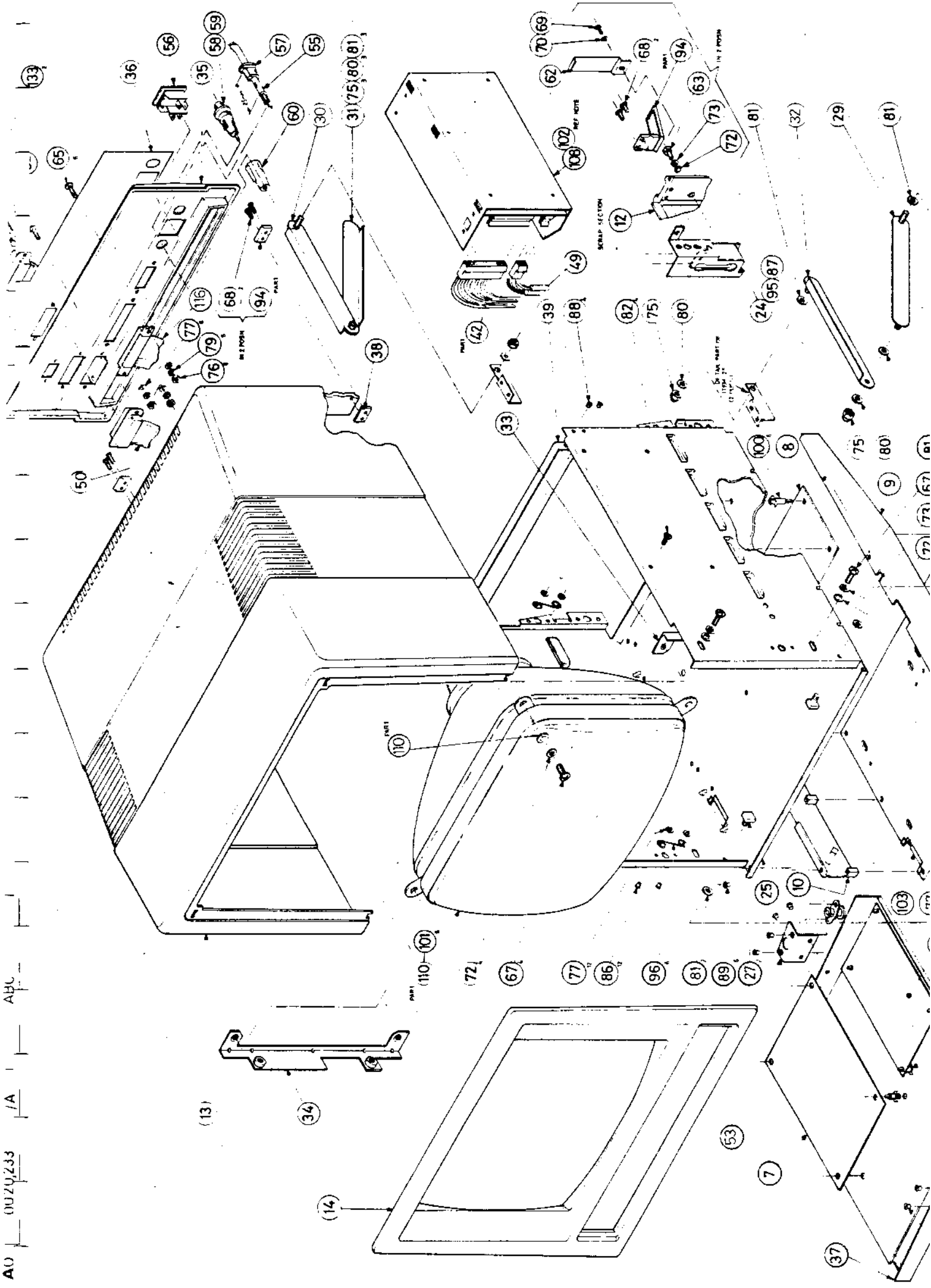
40
114
115

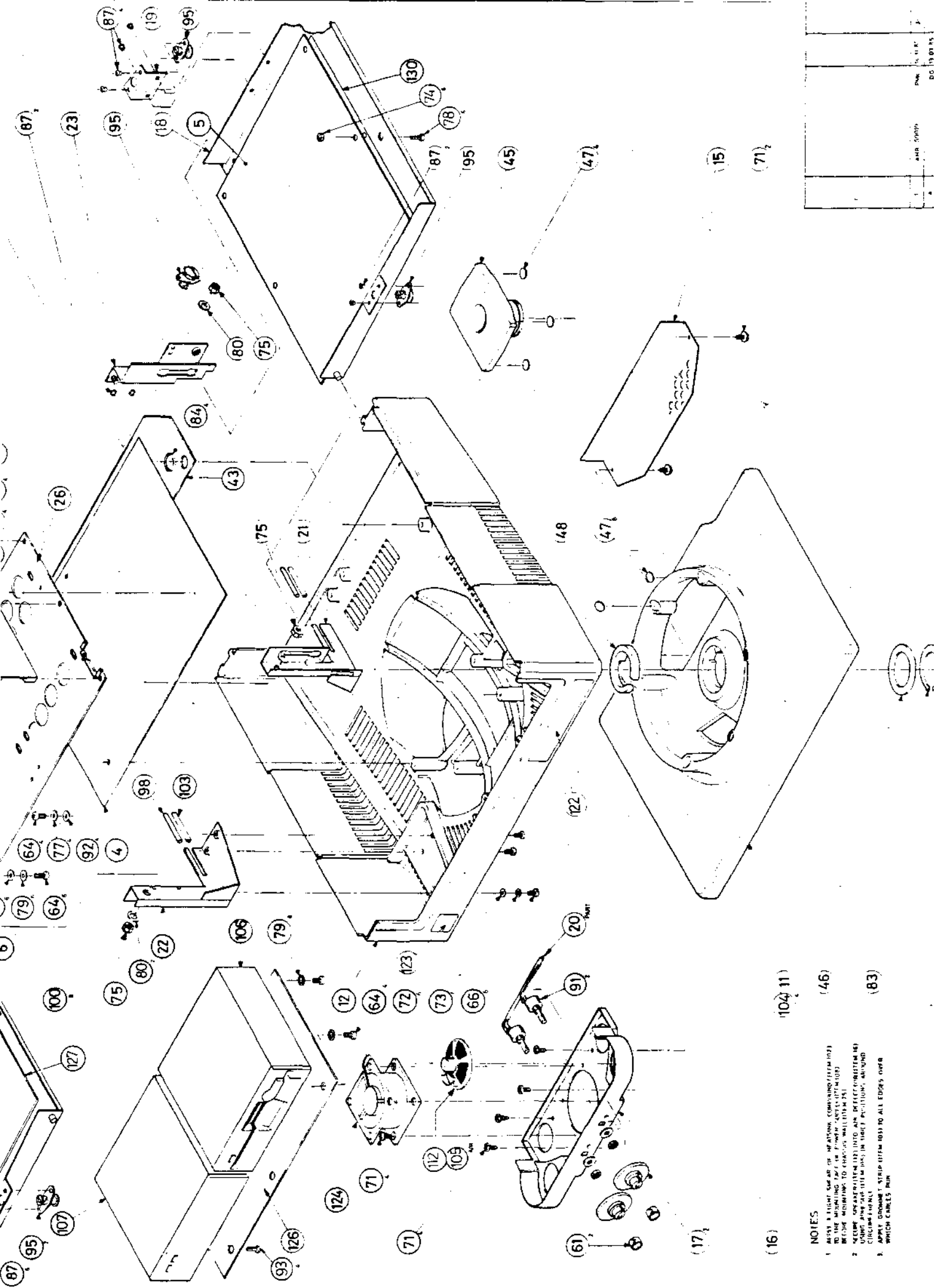


THIRD ANGLE PROJECTION



- NOTES
1. APPLY TAPE THINNESS ITEM 102 TO MOUNTING FACE OF ITEM 106 PRIOR TO ATTACHMENT TO ITEM 25
 2. CUT TO LENGTH AND FIT ITEM 99 OVER TABS IN POSITION AS REQUIRED
 3. ITEM 120 HEARING LABEL TO BE FIXED IN A CONVENIENT POSITION AS NEAR AS POSSIBLE TO ALL EARTH POINTS





REV	DATE	BY	CHKD

- NOTES
1. ALSO A LIGHT SWAR 05 HEADLAMP CONTAINING ITEM 103 TO THE MOUNTING PLATE IN POSITION AND ITEM 102 BEFORE MOUNTING TO CHASSIS WALL ITEM 25.
 2. REMOVE OPERATOR ITEM 102 INTO AIR DUCT SYSTEM IN USING AND USE ITEM 105 IN SELECT POSITION, AIR DUCT CIRCUITRY ONLY.
 3. APPLY GRUBSCREW ITEM 103 TO ALL EDGES OVER WHICH CABLES RUN.

(16) (104 11) (46) (83)

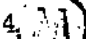
ITEM	PART NO	DESCRIPTION	QTY	REMARKS
1	0020,233	ACW 443 ASSY DRG		1 PER WORKS ORDER
2	0020,233	ACW443 WIRING DIAG		1 PER WORKS ORDER
3				
4	0133,400	ABM CONTROL PCB ASSY	1	
5	0118,100	LARGE 32016 PCB ASSY	1	
6	0127,000	HOST ADAOPTOR PCB ASSY	1	
7	0837,000	ADAPTEC PCB ASSY	1	
8	0120,005	DISTRIBUTION PCB ASY	1	
9	0201,866	DISC TRAY SIDE RH	1	
10	0201,867	DISC TRAY SIDE LH	1	
11	0201,394	CASE BASE MOULDING	1	
12	0201,395	CASE LOWER MOULDING	1	
13	0201,396	CASE UPPER MOULDING	1	
14	0201,397	SCREEN MOULDING 12"	1	
15	0201,399	BASE AIR INTAKE COVER	1	
16	0201,400	AIR DEFLECTOR	1	
17	0201,401	THUMBWHEEL	2	
18	0201,436	2nd PROCESSOR MTG RH	1	
19	0201,788	BRKT RH 2nd PROC TRAY	1	
20	0201,433	CBL CONTRAST COLOUR	1	
21	0201,406	FRONT SUPPORT RH	1	
22	0201,407	FRONT SUPPORT LH	1	
23	0201,422	RH REAR SUPPORT	1	
24	0201,423	LH REAR SUPPORT	1	
25	0201,424	MAIN CHASSIS	1	
26	0201,425	DISC DRIVE CHASSIS	1	
27	0201,426	PIVOT SCREW	2	
28				
29	0201,428	RH LOWER STAY	1	
30	0201,429	LH UPPER STAY	1	
31	0201,430	LH UPPER STAY	1	
32	0201,431	RH UPPER STAY	1	
33	0201,449	MAIN CHASSIS BRKT RH	1	
34	0201,450	MAIN CHASSIS BRKT LH	1	
35	0201,434	REAR PANEL	1	
36	0201,435	REAR LABEL	1	
37	0201,437	EXPANSION MTG LH	1	
38	0201,439	CLAMP BACKING PLATE	2	
39	0201,440	TOP REAR CHASSIS SUPPORT	1	
40	0201,715	RBN DISC DRIVE ASSY	1	

ITEM	PART NO	DESCRIPTION	QTY	REMARKS
ISS :	1	:	2	:
		:	3	:
		:	4	(M)
DATE :	14/11/85	:	20/12/85	:
		:	24/6/86	:
		:	12.9.86	
DRN. :	PLH	:	PDP	:
		:	PMK	:
		:	CW + JW	
CHNG :	AMRS0010	:	ECOS0018	:
		:	ECO E117	:
		:	ECO E226	

TITLE ACW 443 FINAL ASSEMBLY | COPYRIGHT 1986
PARTS LIST | ACORN COMPUTERS LTD.
| FULBOURN ROAD
DRAWING No. A4/0020,233 /P | SHEET 1 of 4 | CHERRY HINTON, CAMBS.
PARTS LIST | A C O R N C O M P U T E R S L T D.

ITEM	PART NO	DESCRIPTION	QTY	REMARKS
41	2201,232	USER PORT CABLE ASSY	1	
42	0201,453	PSU/DIST PCB C/FORM	1	
43	0201,900	CPU REAR PANEL	1	
44	2201,164	Mbyte PROCESSOR RIBN ASSY	1	
45	0201,457	TEE GUIDE BLOC	1	
46	0201,458	SPECIAL WASHER	1	
47	0201,459	SLIP DISC	10	
48	0201,460	STOP RING	1	
49	0201,471	MAINS CABLE ASSY	1	
50	0201,473	PRINTER RIBBON CABLE ASSY	1	
51	0201,405	SPEAKER/VOLUME CABLE	1	
52	0201,472	KEYBOARD RIBBON ASSY	1	
53	0201,787	BRKT LH EXPANSION TRAY	1	
54	0201,861	DIST/CONT PCB C/FORM	1	
55	0201,865	MOULDED CABLE ASSY 5A	1	
56	0805,900	MAINS SWITCH	1	
57	0880,024	CABLE GLANG	1	
58	0815,223	FUSE 3A15 M 20x5mmd HBC	1	
59	0815,900	FUSE HOLDER	1	
60	0815,901	FUSE SHROUD	1	
61	0884,120	COMPRESSION RING	2	
62	0201,778	CLIP	2	
63	0201,779	SCREW M5 MODIFIED	2	
64	0882,121	SCW M3x6 PAN HD POSI	14	
65	0882,124	SCW M3x12 PAN HD POSI	9	
66	0882,155	SCW M5x16 PAN HD POSI	6	
67	0882,153	SCW M5x10 PAN HD POSI	8	
68	0882,215	SCW M2,5x16 CSK HD POSI	8	
69	0882,101	SCW M2x5 PAN HD POSI	2	
70	0882,961	WSHR M2 PLN STL Z/PAS	2	
71	0882,654	SCW N6x9,5 PAN HD POSI	10	
72	0882,965	WSHR M5 PLN STL Z/PAS	16	
73	0882,975	WSHR M5 SPRF IT STL	12	
74	0882,461	NUT M4 FULL NYLON	6	
75	0882,906	NUT M6 FULL SF-LK Z/PAS	8	
76	0882,902	NUT M3 STL FULL Z/PAS	12	
77	0882,962	WSHR M3 PLN STL Z/PAS	34	
78	0882,460	SCW M4x10 CH HD NYL	6	
79	0882,972	WSHR M3 SPRF IT STL	28	
80	0882,966	WSHR M6 PLN STL Z/PAS	8	

ITEM	PART NO	DESCRIPTION	QTY	REMARKS
------	---------	-------------	-----	---------

ISS : 1 : 2 : 3 : 4 

DATE : 14/11/85 : 20/12/85 : 24/6/86 : 12.9.86

DRN. : PLH : PDP : PMK : CW + JW

CHNG : AMRS0010 : ECOS0018 : ECO E117 : ECO E226

TITLE ACW 443 FINAL ASSEMBLY | COPYRIGHT 1986
PARTS LIST | ACORN COMPUTERS LTD.
----- | FULBOURN ROAD
DRAWING No. A4/0020,233 /P | SHEET 2 of 4 | CHERRY HINTON, CAMBS.

PARTS LIST | ACORN COMPUTERS LTD.

ITEM	PART NO	DESCRIPTION	QTY	REMARKS
81	0882,983	WSHR M6 PLN NYL	8	
82	0882,224	SCW M3x6 CSK HD POSI	4	
83	0883,838	CIRCLIP	1	
84	0883,920	FSTNR 7/16OD STARLOCK WSH	4	
85				
86	0884,043	RIVET POP CSK HD 3,2mmD	12	
87	0884,040	RIVET POP CSK HD	18	
88	0884,041	RIVET POP CSK HD	4	
89	0884,042	RIVET POP CSK HD	6	
90				
91	0582,103	POT PNL 10K LN 22x6mm 20%	2	
92	0882,985	WSHR M3 PLN NLY	4	
93	0884,140	SCW 6-32UNCx3/8 PA HD	4	
94	0884,070	DRAW LTCH FO SNPS PLSTC	2	
95	0884,080	STUD SF-EJECT NO5	6	
96	0884,081	STUD SF-EJECT NO5 SPR	6	
97	0880,101	CBL TIE LK 97mmL	A/R	
98	0880,053	SLVING 3mmD H'SHRIK 4:1	A/R	
99	0907,002	TAPE SLF-AMAL 0,05mmT	A/R	
100	0887,002	SPCR NYL 4,76mm PCB GAP	14	
101	0887,003	SPCR NLY 9,52mm PCB GAP	6	
102	0945,000	HEATSINK COMPOUND SI	A/R	
103	0907,009	TAPE FELT SLF-ADH	A/R	
104	0890,001	FOOT SO RUBBER 12,7Dx3,5mmH	4	
105	0890,010	MATL RUBR SEALENT	A/R	
106	0831,500	DISC DRIVE	1	
107	0831,400	WINCHESTER DISC DRIVE	1	
108	0831,104	POWER SUPPLY (85 WATT)	1	
109	0880,130	CABLE CLIP	12	
110	0836,100	MONITOR KIT (12" COLOUR)	1	
111				
112	0835,003	LSPKR 8R 0.1W 50mmD	1	
113	0201,710	WINCHESTER DC POWER CABLE	1	
114	0201,711	WINCHESTER IN/OUT RIBBON	1	
115	0201,712	WINCHESTER DRIVE RIBBON	1	
116	0201,713	WINCHESTER 1MHz BUS RIBBON	1	
117	0201,714	WINCHESTER BD TO BD LK RBN	1	
118	0201,716	DISC DRIVE DC SUPPLY CABLE	2	
119	2201,165	MBYTES DC SUPPLY C/FORM	1	
120	0201,723	SAFETY EARTH LABEL	2	

ITEM	PART NO	DESCRIPTION	QTY	REMARKS
------	---------	-------------	-----	---------

ISS : 1 : 2 : 3 : 4 (M)

DATE : 14/11/85 : 20/12/85 : 24/6/86 : 12.9.86

DRN. : PLH : PDP : PMK : CW + JW

CHNG : AMRS0010 : ECOS0018 : ECO E117 : ECO E226

TITLE ACW 443 FINAL ASSEMBLY | COPYRIGHT 1986
PARTS LIST | ACORN COMPUTERS LTD.
| FULBOURN ROAD
DRAWING No. A4/0020,233 /P | SHEET 3 of 4 | CHERRY HINTON, CAMBS.
PARTS LIST | A C O R N C O M P U T E R S L T D .

ITEM	PART NO	DESCRIPTION	QTY	REMARKS
121	0201,448	VIDEO C/FORM COLOUR	1	
122	2201,115	PROCESSOR LOGO	1	
123	2201,203	PROCESSOR LOGO 2	1	
124	0201,958	FAN ASSY	1	
125				
126	2201,001	DISC/WINCH DRIVE INSUL	1	
127	2201,166	LH SIDE TRAY INSUL	1	
128				
129				
130	2201,163	RH SIDE TRAY INSUL	1	
131				
132	0800,600	CONR BNC SKT 75R PNL	1	
133	0800,985	CONR LATCH FOR "D" SHELL	2	
134	0907,003	MATL 4mmT FOAM RUBR SF-AD	A/R	
135	0870,109	WIRE 7/0.2 WHITE PVC	A/R	
136				
137	2201,352	ACW PWR DIST PCB 0V STRAP	1	
138	0882,143	SCW M4x10 PAN HD POSI	2	
139	0882,974	WSHR M4 SPRF IT STL	4	
140	0882,904	NUT M4 STL FULL Z/PAS	2	
141	0882,964	WSHR M4 PLAIN	1	
142	2201,353	ACW UPPER FAN ASSY	1	
143	2201,354	ACW UPPER FAN POWER LEAD	1	
144	2201,355	ACW UPPER FAN POWER BRKT	1	
145	0885,206	FAN FILTER ASSY 80mm BK	1	
146	0882,127	SCW M3x25 PAN HD POSI	4	
147				
148	2201,356	ACW REAR PNL EARTH STRAP	1	
149				
150				
151				
152				
153				
154				
155				
156				
157				
158				
159				
160				

ITEM	PART NO	DESCRIPTION	QTY	REMARKS
ISS :	1	2	3	4 (AA)
DATE :	14/11/85	20/12/85	24/6/86	12.9.86
DRN. :	PLH	PDP	PMK	CW + JW
CHNG :	AMRS0010	ECOS0018	ECO E117	ECO E226
TITLE ACW 443 FINAL ASSEMBLY PARTS LIST				COPYRIGHT 1986 ACORN COMPUTERS LTD. FULBOURN ROAD CHERRY HINTON, CAMBS.
DRAWING No. A4/0020,233 /P		SHEET 4 of 4		
PARTS LIST				ACORN COMPUTERS LTD.

ITEM	PART NO	DESCRIPTION	QTY	REMARKS
1	0233,000	BARE PCB	1	
2	0133,400	ASSEMBLY DRAWING		1 PER WORKS ORDER
3				
4				
5	0502,100	RES 10R CF 5% 0W25	4	R58,121,122,153
6	0502,330	RES 33R CF 5% 0W25	3	R53-55
7	0502,680	RES 68R CF 5% 0W25	5	R109,112,128-130
8	0502,820	RES 82R CF 5% 0W25	3	R62,65,67
9	0502,101	RES 100R CF 5% 0W25	6	R31,45-47,57,61
10	0502,151	RES 150R CF 5% 0W25	5	R1,5-8
11				
12	0502,271	RES 270R CF 5% 0W25	2	R20,21
13	0502,331	RES 330R CF 5% 0W25	2	R30,35
14	0502,471	RES 470R CF 5% 0W25	2	R49,102
15				
16				
17				
18				
19				
20				
21	0502,102	RES 1K CF 5% 0W25	8	R11,16,63,73,104,105
22				R131,148
23	0502,152	RES 1K5 CF 5% 0W25	1	R147
24	0502,182	RES 1K8 CF 5% 0W25	3	R50-52
25	0502,222	RES 2K2 CF 5% 0W25	4	R80,101,124,149
26	0502,272	RES 2K7 CF 5% 0W25	1	R69
27	0502,332	RES 3K3 CF 5% 0W25	6	R14,18,19,71,118,152
28	0502,392	RES 3K9 CF 5% 0W25	1	R108
29	0502,472	RES 4K7 CF 5% 0W25	7	R4,23,43,48,59,60,100
30	0502,562	RES 5K6 CF 5% 0W25	1	R103
31	0502,822	RES 8K2 CF 5% 0W25	2	R123,127
32				
33	0505,103	RES 10K C/MF 2% 0W25	12	R22,26,27,29,34,42,44
34				R81,111,126,144,151
35				
36				
37	0502,393	RES 39K CF 5% 0W25	2	R64,117
38	0502,563	RES 56K CF 5% 0W25	1	R15
39	0502,623	RES 62K CF 5% 0W25	1	R33
40	0502,823	RES 82K CF 5% 0W25	1	R66

ITEM	PART NO	DESCRIPTION	QTY	REMARKS
ISS :	1	2	3	
DATE :	01.10.84	20.12.85	28/7/86	
DRN. :	PDP	PDP	JJW & CWW	
CHNG :	AMR 598	ECO S0016	ECO E198	
TITLE	ABM CONTROL BOARD PARTS LIST		COPYRIGHT 1986 ACORN COMPUTERS LTD. FULBOURN ROAD CHERRY HINTON, CAMBS.	
DRAWING No.	A4/0133,400 /P	SHEET 1 of 6		
PARTS LIST	ACORN COMPUTERS LTD.			

ITEM	PART NO	DESCRIPTION	QTY	REMARKS
41	0502,104	RES 100K CF 5% 0W25	3	R28,41,70,
42	0502,154	RES 150K CF 5% 0W25	2	R137,145
43	0502,224	RES 220K CF 5% 0W25	3	R39,77,136
44	0502,274	RES 270K CF 5% 0W25	1	R83
45	0502,824	RES 820K CF 5% 0W25	1	R135
46	0505,103	RES 10K C/MF 2% 0W25	4	R140-143
47				
48	0505,104	RES 100K C/MF 2% 0W25	4	R106,110,125,134
49				
50	0502,105	RES 1M0 CF 5% 0W25	3	R17,24,25
51	0502,155	RES 1M5 CF 5% 0W25	2	R78,79
52				
53				
54				
55	0581,104	RES PSET 100K C LN 20% H	1	VR1
56				
57				
58	0590,223	RES NET 22K TF 10% 9P	1	RP2
59				
60				
61				
62				
63				
64				
65				
66				
67	0631,033	CPCTR CPLT 33P 30V 2%	2	C12,16
68				
69	0631,047	CPCTR CPLT 47P 30V 2%	2	C44,45
70	0631,068	CPCTR CPLT 68P 30V 2%	2	C4,18
71	0631,100	CPCTR CPLT 100P 30V 2%	1	C20
72				
73				
74	0631,270	CPCTR CPLT 270P 30V 2%	1	C22
75				
76				
77	0630,082	CPCTR CPLT 820P 30V 10%	2	C58,59
78				
79				
80				

ITEM	PART NO	DESCRIPTION	QTY	REMARKS
ISS :	1	2	3	
DATE :	01.10.84	20.12.85	28/7/86	
DRN. :	PDP	PDP	JJW & CWW	
CHNG :	AMR 598	ECO S0016	ECO E198	
TITLE ABM CONTROL BOARD				COPYRIGHT 1986
PARTS LIST				ACORN COMPUTERS LTD.
				FULBOURN ROAD
DRAWING No. A4/0133,400 /P				SHEET 2 of 6
				CHERRY HINTON, CAMBS.
PARTS LIST				ACORN COMPUTERS LTD.

ITEM	PART NO	DESCRIPTION	QTY	REMARKS
81	0630,150	CPCTR CPLT 1N5 30V 10%	1	C11
82	0630,220	CPCTR CPLT 2N2 30V 10%	4	C26,31,34,35
83	0630,330	CPCTR CPLT 3N3 30V 10%	1	C8
84	0630,470	CPCTR CPLT 4N7 30V 10%	4	C19,21,42,43
85	0629,010	CPCTR CPLT 10N 30V 80%	2	C3,13
86	0650,333	CPCTR MPSTR 33N 50V 20%	1	C29
87	0680,002	CPCTR DCPLR 100N AXA 25V	67	A
88	0640,473	CPCTR CER 47N 30V 80%	1	C24
89	0640,104	CPCTR CER 100N 30V 80%	5	C5-7,9,23
90	0651,224	CPCTR CER 220N 12V 80%	2	C38,41
91				
92	0613,100	CPCTR TANT 1u0 35V 20%	1	C33
93	0635,047	CPCTR ALEC 4u7 16V RAD	1	C30
94	0635,100	CPCTR ALEC 10u 16V RAD	3	C27,51,52
95	0621,047	CPCTR ALEC 4u7 10V AX	1	C15
96	0610,010	CPCTR TANT 10u 10V 20%	1	C57
97	0621,470	CPCTR ALEC 47u 10V AX	6	C25,46,50,54,56,60
98	0610,047	CPCTR TANT 47u 10V 20%	1	C37
99				
100				
101				
102				
103				
104				
105				
106				
107	0820,160	XTAL 16.00MHz HC18/U PR	1	X1
108				
109				
110				
111	0810,001	RLY 1P CO 5V 50R PCB	1	RL1
112				
113				
114	0780,239	TRANS BC239 NPN	6	Q1-5,7
115	0780,309	TRANS BC309 PNP	1	Q8
116				
117				
118				
119				
120	0794,148	DIODE SI 1N4148	8	D2,4,9-11,16-18

ITEM	PART NO	DESCRIPTION	QTY	REMARKS
ISS :	1	2	3	
DATE :	01.10.84	20.12.85	28/7/86	
DRN. :	PDP	PDP	JJW & CWW	
CHNG :	AMR 598	ECO S0016	ECO E198	
TITLE ABM CONTROL BOARD				COPYRIGHT 1986
PARTS LIST				ACORN COMPUTERS LTD.
DRAWING No. A4/0133,400 /P				SHEET 3 of 6
PARTS LIST				FULBOURN ROAD
				CHERRY HINTON, CAMBS.
				A C O R N C O M P U T E R S L T D .

ITEM	PART NO	DESCRIPTION	QTY	REMARKS
121				
122				
123				
124	0740,016	IC 7416 TTL 14/0.3"	1	IC8
125	0740,038	IC 7438 TTL 14/0.3"	1	IC7
126	0741,000	IC 74S00 TTL 14/0.3"	1	IC52
127	0742,000	IC 74LS00 TTL 14/0.3"	2	IC19,27
128	0741,002	IC 74S02 TTL 14/0.3"	1	IC33
129	0742,002	IC 74LS02 TTL 14/0.3"	1	IC58
130	0741,004	IC 74S04 TTL 14/0.3"	1	IC26
131	0742,004	IC 74LS04 TTL 14/0.3"	1	IC24
132	0742,008	IC 74LS08 TTL 14/0.3"	1	IC43
133	0742,010	IC 74LS10 TTL 14/0.3"	1	IC48
134	0742,020	IC 74LS20 TTL 14/0.3"	1	IC40
135	0742,030	IC 74LS30 TTL 14/0.3"	2	IC22,41
136	0742,032	IC 74LS32 TTL 14/0.3"	1	IC23
137	0741,074	IC 74S74 TTL 14/0.3"	1	IC31
138	0742,074	IC 74LS74 TTL 14/0.3"	1	IC69
139	0742,086	IC 74LS86 TTL 14/0.3"	2	IC63,83
140	0742,109	IC 74LS109 TTL 16/0.3"	1	IC25
141	0742,123	IC 74LS123 TTL 16/0.3"	1	IC88
142	0742,132	IC 74LS132 TTL 14/0.3"	1	IC70
143	0742,138	IC 74LS138 TTL 16/0.3"	2	IC21,46
144	0742,139	IC 74LS139 TTL 16/0.3"	2	IC28,39
145	0742,163	IC 74LS163A TTL 16/0.3"	2	IC18,45
146	0742,174	IC 74LS174 TTL 16/0.3"	1	IC17
147	0742,244	IC 74LS244 TTL 20/0.3"	4	IC5,6,13,80
148	0742,245	IC 74LS245 TTL 20/0.3"	3	IC12,14,49
149	0742,253	IC 74LS253 TTL 16/0.3"	4	IC72-75
150	0742,257	IC 74LS257 TTL 16/0.3"	2	IC50,51
151	0742,259	IC 74LS259 TTL 16/0.3"	1	IC30
152	0742,273	IC 74LS273 TTL 20/0.3"	1	IC54
153	0742,283	IC 74LS283 TTL 16/0.3"	1	IC76
154	0742,374	IC 74LS374 TTL 20/0.3"	2	IC11,32
155				
156	0739,120	IC 88LS120 RS423 RCVR	1	IC94
157	0770,319	IC LM319 DUAL COMP	1	IC92
158	0770,324	IC LM324 QUAD OP AMP	2	IC47,89
159	0770,386	IC LM386 AUDIO AMP	1	IC77
160	0733,691	IC 3691 RS422/423 DRVR	1	IC95

ITEM	PART NO	DESCRIPTION	QTY	REMARKS
ISS :	1	2	3	
DATE :	01.10.84	20.12.85	28/7/86	
DRN. :	PDP	PDP	JJW & CWW	
CHNG :	AMR 598	ECO S0016	ECO E198	
TITLE ABM CONTROL BOARD				COPYRIGHT 1986
PARTS LIST				ACORN COMPUTERS LTD.
DRAWING No. A4/0133,400 /P				SHEET 4 of 6 FULBOURN ROAD
				CHERRY HINTON, CAMBS.
PARTS LIST				A C O R N C O M P U T E R S L T D .

ITEM	PART NO	DESCRIPTION	QTY	REMARKS
161	0704,865	IC 4864 DRAM 120ns 64kx1	8	IC55,56,60,61,64-67
162	0706,511	IC 6512A CPU NMOS 2MHz	1	IC42
163	0706,522	IC 6522 VIA NMOS 1MHz	2	IC10,20
164	0706,845	IC 6845 CRTIC NMOS 1MHz	1	IC78
165	0706,850	IC 6850 ACIA NMOS 1MHz	1	IC82
166	0707,002	IC 7002 ADC 12BIT	1	IC84
167	0735,159	IC 75159 DRVR	1	IC91
168	0706,490	IC 76489 SOUND GEN	1	IC38
169				
170	0706,854	IC 68B54 ADLC NMOS 2MHz	1	IC81
171				
172				
173	0705,050	IC SAA5050 CHTR GEN	1	IC59
174	0201,272	IC ACW OS ROM	1	IC71
175	0201,666	IC DNFS ROM	1	IC35
176	0201,274	IC ADFS ROM	1	IC62
177	0201,795	IC TERM EMUL ROM	1	IC57
178	2201,204	IC ACW DFS ROM	1	IC44
179	0201,628	IC BASIC ROM	1	IC68
180	0201,647	IC VID PROC	1	IC53
181	0201,648	IC SER PROC	1	IC85
182	0770,555	IC LM555 TIMER	1	IC43
183	0201,880	IC PAL 16R4	1	IC36
184	0701,770	IC WD1770 FDC 5.25"	1	IC16
185				
186				
187				
188				
189				
190				
191				
192	0800,117	SKT IC 16/0.3" SUPA	1	IC17
193	0800,121	SKT IC 20/0.3" SUPA	1	IC36
194	0800,124	SKT IC 24/0.6" SUPA	1	IC82
195	0800,129	SKT IC 28/0.6" SUPA	8	IC29,35,37,44,57,62,68,71
196	0800,141	SKT IC 40/0.6" SUPA	4	IC10,20,42,78
197	0803,102	CONR 34W BOX IDC LP ST	2	PL8,11
198	0803,103	CONR 40W BOX IDC LP ST	1	PL12
199	0803,101	CONR 26W BOX IDC LP ST	1	PL9
200	0800,050	CONR 2W WAFR 0.1" ST PCB	3	PL15,S26,SK2

ITEM	PART NO	DESCRIPTION	QTY	REMARKS
ISS :	1	2	3	
DATE :	01.10.84	20.12.85	28/7/86	
DRN. :	PDP	PDP	JJW & CWW	
CHNG :	AMR 598	ECO S0016	ECO E198	
TITLE ABM CONTROL BOARD				COPYRIGHT 1986
PARTS LIST				ACORN COMPUTERS LTD.
				FULBOURN ROAD
DRAWING No. A4/0133,400 /P				SHEET 5 of 6
				CHERRY HINTON, CAMBS.
PARTS LIST				ACORN COMPUTERS LTD.

ITEM	PART NO	DESCRIPTION	QTY	REMARKS
201	0800,051	CONR 3W WAFR 0,1" ST PCB	4	S13,14,20,27
202	0800,052	CONR 5W WAFR 0,1" ST PCB	4	S9,11,12,15,18,SK3A
203	0800,054	CONR 8W WAFR 0,1" ST PCB	2	S23
204				
205	0800,059	CONR 17W WAFR 0.1" ST PCB	1	PL13
206				
207	0803,100	CONR 20W BOX IDC LP ST	1	PL10
208				
209	0800,070	CONR 2W SHUNT 0.1"	14	S9,11-13,15,18,23(7OFF),2
210	0870,420	WIRE 22SWG CPR TIN	A/R	R12,32,40,S7,S8,S16
211				
212	0800,200	FSTN TAB 2,8/0.5" ST PCB	7	+5V(3), 0V(3), -5V(1)
213				
214				
215	0800,004	CONR 5W SKT DIN RA PCB	1	SK7
216				
217	0800,002	CONR 6W SKT DIN RA PCB	1	SK3
218	0800,001	CONR 5W SKT DIN RA DOM	1	SK4
219	0800,003	CONR 7W SKT DIN RA PCB	1	SK5
220	0800,304	CONR 15W SKT "D" RA E2,54	1	SK6
221				
222				
223				
224				
225				
226				
227				
228				
229				
230				
231				
232				
233				
234				
235				
236				
237				
238				
239				
240				

ITEM	PART NO	DESCRIPTION	QTY	REMARKS
ISS :	1	2	3	
DATE :	01.10.84	20.12.85	28/7/86	
DRN. :	PDP	PDP	JJW & CWW	
CHNG :	AMR 598	ECO S0016	ECO E198	
TITLE ABM CONTROL BOARD				COPYRIGHT 1986
PARTS LIST				ACORN COMPUTERS LTD.
DRAWING No. A4/0133,400 /P				SHEET 6 of 6
				FULBOURN ROAD
				CHERRY HINTON, CAMBS.
PARTS LIST				A C O R N C O M P U T E R S L T D.

ITEM	PART No	DESCRIPTION	QTY	WHERE USED	C.PER	C.TO
1						
2						
3						
4						
5						
6	0201,605	IC ULA TUBE	1			
7	0201,763	PANDORA HIGH ROM	1			
8	0201,764	PANDORA LOW OM	1			
9						
10						
11	0218,100	BARE PCB	1			
12						
13						
14						
15	2201,207	ACW 32081 FPU HEAT SINK	1			
16	2201,208	ACW 32016 CPU HEAT SINK	1			
17	2201,209	ACW 32201 TCU HEAT SINK	1			
18						
19						
20						
21	0502,103	RES 10K C/MF 5% 0W25	5			
22	0502,332	RES 3K3 C/MF 5% 0W25	5			
23	0502,471	RES 470R C/MF 5% 0W25	2			
24	0520,120	RES 12R C/MF 10% 1W0	1			
25	0571,330	RES NET 33R TF 2% 16P	9			
26	0590,332	RES NET 3K3 TF 10% 9P	4			
27						
28						
29						
30	0610,047	CPCTR TANT 47u 10V 20%	4			
31	0613,100	CPCTR TANT 1u0 35V 20%	1			
32	0628,100	CPCTR CDSC 10n 30V 80%	1			
33	0637,102	CPCTR CML 1n0 50V 80%	1			
34	0680,002	CPCTR DCPLR 33/47n 0.2"	182			
35						
36						
37						
38						
39						
40						

ITEM	PART No	DESCRIPTION	QTY	WHERE USED	C.PER	C.TO
------	---------	-------------	-----	------------	-------	------

ISS : 1

DATE : 28/7/86

DRN. : CWW

CHNG : AMR E249

TITLE 32016 LARGE (4MByte) PCB ASSY	COPYRIGHT 1986
BILL OF MATERIALS	ACORN COMPUTERS LTD.
	FULBOURN ROAD
DRAWING No. A4/0118,100 /BM	SHEET 1 of 4
	CHERRY HINTON, CAMBS
BILL OF MATERIALS	ACORN COMPUTERS LTD.

ITEM	PART No	DESCRIPTION	QTY	WHERE USED	C.PER	C.TO
41						
42	0704,103	IC 4256 DRAM 150nS 256Kx1	128			
43						
44						
45	0732,018	IC 32016 CPU NMOS 10MHz	1			
46	0732,083	IC 32081 FPU NMOS 10MHz	1			
47	0732,203	IC 32201 TCU NMOS 10MHz	1			
48						
49						
50						
51						
52	0738,095	IC 81LS95 TTL 20/0.3"	14			
53						
54						
55						
56	0741,004	IC 74S04 TTL 14/0.3"	1			
57						
58						
59						
60	0742,000	IC 74LS00 TTL 14/0.3"	1			
61	0742,004	IC 74LS04 TTL 14/0.3"	1			
62	0742,010	IC 74LS10 TTL 14/0.3"	2			
63	0742,027	IC 74LS27 TTL 14/0.3"	1			
64	0742,032	IC 74LS32 TTL 14/0.3"	1			
65	0742,074	IC 74LS74 TTL 14/0.3"	1			
66	0742,114	IC 74LS114 TTL 14/0.3"	1			
67	0742,138	IC 74LS138 TTL 16/0.3"	3			
68	0742,240	IC 74LS240 TTL 20/0.3"	2			
69	0742,244	IC 74LS244 TTL 20/0.3"	1			
70	0742,245	IC 74LS245 TTL 20/0.3"	2			
71	0742,393	IC 74LS393 TTL 14/0.3"	2			
72						
73						
74						
75						
76						
77						
78						
79						
80						

ITEM	PART No	DESCRIPTION	QTY	WHERE USED	C.PER	C.TO
------	---------	-------------	-----	------------	-------	------

ISS : 1

DATE : 28/7/86

DRN. : CWW

CHNG : AMR E249

TITLE 32016 LARGE (4MByte) PCB ASSY	COPYRIGHT 1986
BILL OF MATERIALS	ACORN COMPUTERS LTD.

DRAWING No. A4/0118,100 /BM	SHEET 2 of 4	FULBOURN ROAD
		CHERRY HINTON, CAMBS

BILL OF MATERIALS	ACORN COMPUTERS LTD.
-------------------	----------------------

ITEM	PART No	DESCRIPTION	QTY	WHERE USED	C.PER	C.TO
121						
122						
123						
124						
125	0800,787	FSTN TAB 2,8/0,8 RA 5H	4			
126						
127						
128						
129						
130						
131						
132	0803,103	CONR 40W BOX IDC LP ST	1			
133						
134						
135						
136	0820,200	XTAL 20MHz HC18/U	1			
137						
138						
139	0895,081	FOAM PAD S/ADH DBL SIDED	1			
140						
141						
142	0940,002	ADHESIVE			A/R	
143	0940,003	ADDITIVE			A/R	
144						
145						
146						
147						
148						
149						
150						
151						
152						
153						
154						
155						
156						
157						
158						
159						
160						

ITEM	PART No	DESCRIPTION	QTY	WHERE USED	C.PER	C.TO
------	---------	-------------	-----	------------	-------	------

ISS : 1

DATE : 28/7/86

DRN. : CWW

CHNG : AMR E249


TITLE 32016 LARGE (4MByte) PCB ASSY	COPYRIGHT 1986
BILL OF MATERIALS	ACORN COMPUTERS LTD.
	FULBOURN ROAD

DRAWING No. A4/0118,100 /BM	SHEET 4 of 4	CHERRY HINTON, CAMBS
-----------------------------	--------------	----------------------

BILL OF MATERIALS	ACORN COMPUTERS LTD.
-------------------	----------------------

32				
31				
30				
29				
28				
27				
26				
25				
24				
23				
22				
21				
20				
19				
18				
17				
16	0800,234	PLUG 13 WAY	1	PL1
15	0800,233	PLUG 8 WAY	3	PL2,4,6
14	0800,232	PLUG 7 WAY	1	PL8
13	0800,231	PLUG 4 WAY	3	PL3,5,7
12	0800,230	PLUG 2 WAY	2	PL9,10
11				
10				
9				
8				
7				
6				
5	0520,100	RESISTOR 10R 1 W 10%	1	R1
4				
3				
2	0120,005	ASSEMBLY DRAWING		1 PER BATCH
1	0220,005	BARE PCB	1	

ITEM	PART No.	DESCRIPTION	QTY.	REMARKS
CHKD	ACB	ACB		
DATE	05.84	07.84		
CHANGE		AMR447		
ISSUE	A	1		


<p>Copyright of this drawing is reserved by ACORN COMPUTERS LTD. It is issued on condition that it is not copied, reproduced or disclosed to a third party, either wholly or in part, without the consent in writing of ACORN COMPUTERS LTD.</p>		<p>© COPYRIGHT 1984 ACORN COMPUTERS Ltd. FULBOURNE ROAD CHERRY HINTON CAMBRIDGE CB1 4JN</p>	<p>TITLE ABM POWER DISTRIBUTION PCB</p>
ACORN COMPUTERS Ltd		A4	DRG. No. 0120,005 /P

ITEM	PART NO	DESCRIPTION	QTY	REMARKS
1	020,001/A	FINAL ASSEMBLY DRAWING	1	PER WORKS ORDER
2				
3	0832,750	KEYBOARD ASSEMBLY	1	
4				
5				
6	0201,441	UPPER CASE (KBD)	1	
7	0201,442	LOWER CASE (KBD)	1	
8	0201,433	SOFT KEY RULE	1	
9	0201,444	FUNCTION KEY LEGENG	1	
10				
11	0201,836	SWITCH LABEL	1	
12				
13	0890,001	STICK-ON-FOOT	4	
14				
15				
16				
17	0882,654	NO. 6x9.5 SELF TAP	5	
18				
19	0880,024	HEYCO CBL STR REL GROM.	1	
20				
21				
22				
23				
24				
25				
26				
27				
28				
29				
30				
31				
32				
33				
34				
35				
36				
37				
38				
39				
40				

ITEM	PART NO	DESCRIPTION	QTY	REMARKS
ISS :	1	:	2	
DATE :	11.84	:	28/7/86	
DRN. :	JC	:	CWW	
CHNG :	AMR 615	:	ECO E198	
TITLE ACW KEYBOARD ASSEMBLY		COPYRIGHT 1986		
PARTS LIST		ACORN COMPUTERS LTD.		
DRAWING No. A4/0020,001 /P		SHEET 1 of 1		FULBOURN ROAD
				CHERRY HINTON, CAMBS.
PARTS LIST		A C O R N C O M P U T E R S L T D .		

32	0800,787	RIGHT ANGLE FASTON TAB	2	0v, 5v
31				
30				
29	0800,871	CONNECTOR 50 PIN HEADER	1	PL2
28	0800,870	CONNECTOR 34 PIN HEADER	1	PL1
27				
26				
25	0742,373	INTEGRATED CIRCUIT 74 LS 373	2	IC2, IC4
24	0742,244	INTEGRATED CIRCUIT 74 LS 244	2	IC1, IC5
23	0742,240	INTEGRATED CIRCUIT 74 LS 240	1	IC3
22	0742,138	INTEGRATED CIRCUIT 74 LS 138	2	IC6, IC7
21	0742,074	INTEGRATED CIRCUIT 74 LS 74	2	IC10, IC11
20	0742,014	INTEGRATED CIRCUIT 74 LS 14	1	IC8
19	0742,004	INTEGRATED CIRCUIT 74 LS 04	1	IC9
18	0742,000	INTEGRATED CIRCUIT 74 LS 00	1	IC12
17	0740,038	INTEGRATED CIRCUIT 7438	2	IC13, IC14
16	0740,014	INTEGRATED CIRCUIT 7414	1	IC15
15	0740,007	INTEGRATED CIRCUIT 7407	1	IC16
14				
13				
12				
11	0622,220	CAPACITOR 22 μ L 16V	1	C1
10	0680,002	CAPACITOR DECOUPLER 47nF	16	A
9				
8	0800,116	I.C. SOCKET 16 PIN	3	RP2, RP3, RP4
7	0571,222	RESISTOR PACK 16 PIN D.I.L. 2K2	1	RP4
6	0573,222	RESISTOR PACK 16 PIN D.I.L. 2K2	2	RP2, RP3
5	0572,221	RESISTOR PACK 16 PIN D.I.L. 220R/330R	1	RP1
4	0502,222	RESISTOR 2K2 $\frac{1}{4}$ W \pm 5%	1	R1
3				
2	A2/0127,000/A	ASSEMBLY DRG.		1 PER BATCH
1	A1/0227,000/D	BARE P.C.B.	1	

ITEM	PART No.	DESCRIPTION	QTY.	REMARKS
CHKD	<i>AW</i>	<i>ZW</i>	<i>ROB</i>	<i>AW</i>
DATE	1.84	04.84	5.84	24.07.84
CHANGE			AMR410	EC0478
ISSUE	D	E	1	2

<p>Copyright of this drawing is reserved by ACORN COMPUTERS LTD. It is issued on condition that it is not copied, reproduced or disclosed to a third party, either wholly or in part, without the consent in writing of ACORN COMPUTERS LTD.</p>		<p>© COPYRIGHT 1984 ACORN COMPUTERS Ltd. FULBOURNE ROAD CHERRY HINTON CAMBRIDGE CB1 4JN</p>	<p>TITLE WINCHESTER DISC HOST ADAPTOR ASSEMBLY</p>
<p>ACORN COMPUTERS Ltd</p>			<p>A4 DRG. No. 0127,000 /P</p>