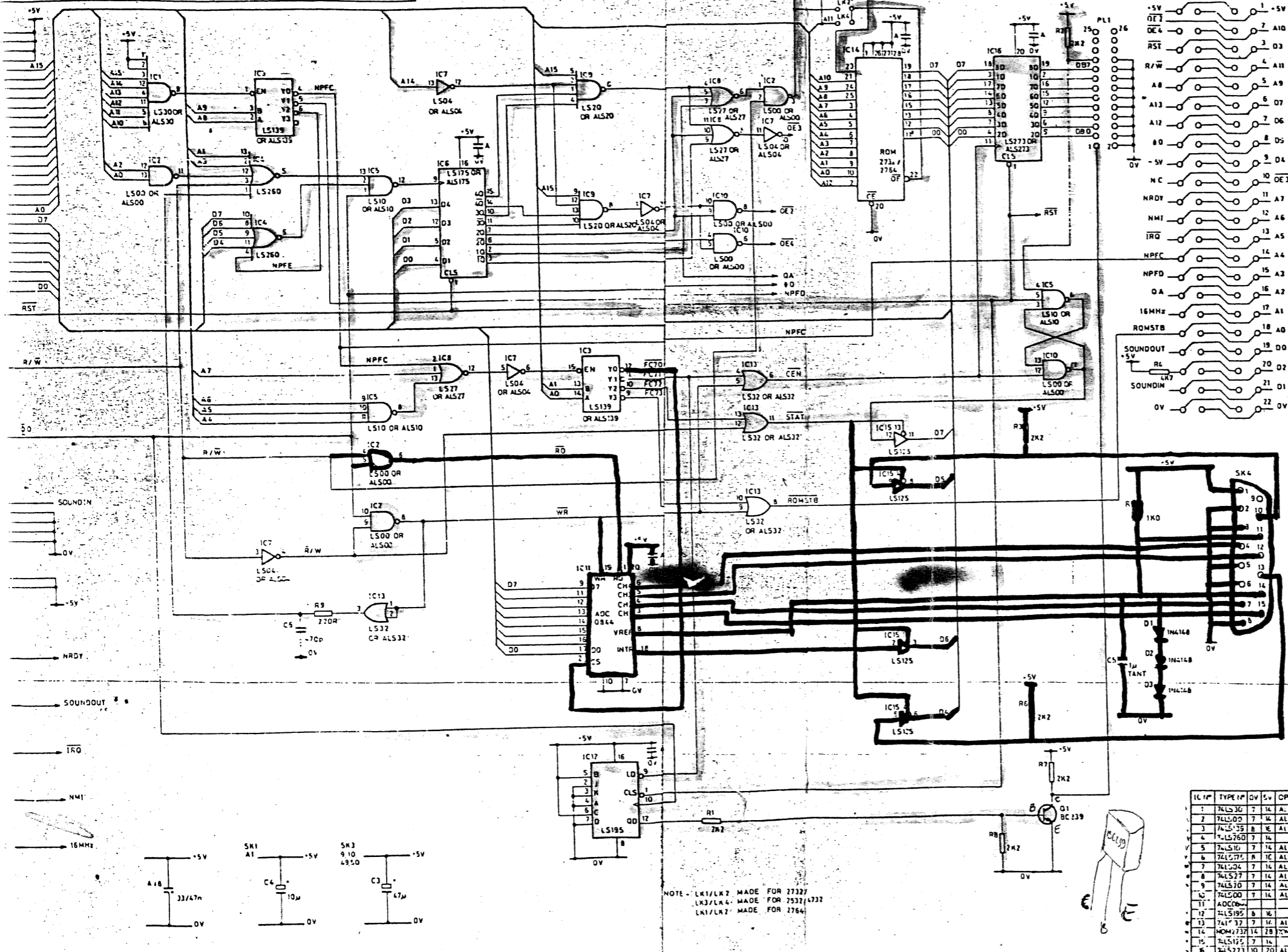


ORG. NO. 0119,100/C

FIRST USED ON

THIRD ANGLE PROJECTION

DO NOT SCALE



ISS	DATE	SIGN
155		
156		

PLUS-1
CENTRONICS
A/D CONVERTER
UITBREIDINGSLOT

IC #	TYPE	IP	OV	SW	OPTION
1	74LS30	7	14	A	30
2	74LS00	7	14	A	LS00
3	74LS39	7	14	A	LS39
4	74LS76	7	14	A	LS76
5	74LS16	7	14	A	LS16
6	74LS175	7	14	A	LS175
7	74LS24	7	14	A	LS24
8	74LS27	7	14	A	LS27
9	74LS20	7	14	A	LS20
10	74LS00	7	14	A	LS00
11	ADC0804	7	14	A	0804
12	74LS195	7	14	A	LS195
13	74LS137	7	14	A	LS137
14	ROM2732	7	14	A	2732
15	74LS125	7	14	A	LS125
16	74LS273	7	14	A	LS273

NOTE: LK1/LK2 MADE FOR 27322
LK3/LK4 MADE FOR 2532/4732
LK1/LK2 MADE FOR 2764

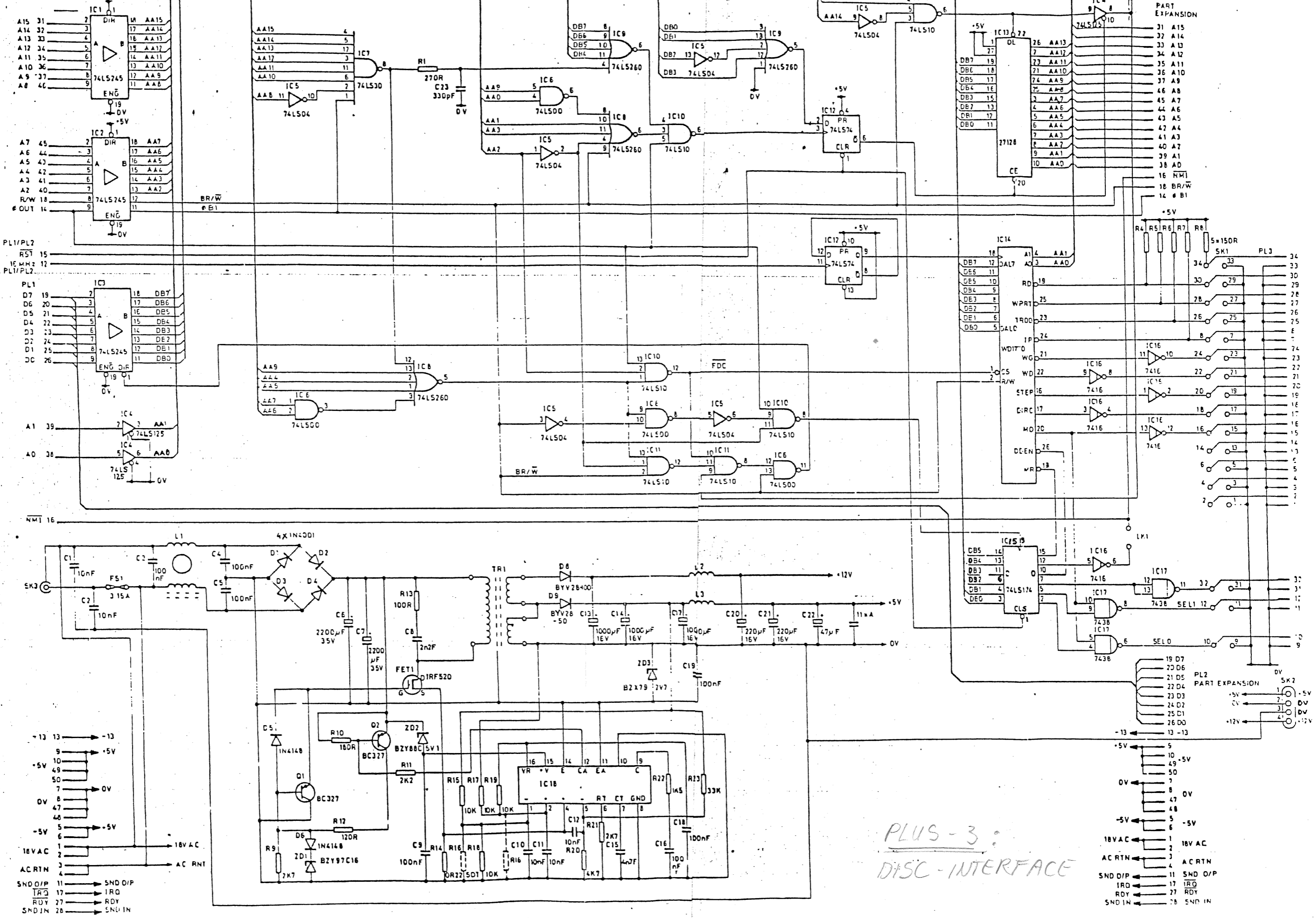
ALL DIMENSIONS IN MM UNLESS STATED OTHERWISE

Copyright of this drawing is reserved by ACORN COMPUTERS LTD. It is issued on condition that

© COPYRIGHT 1984 ACORN COMPUTERS LTD FULBURN ROAD CAMBRIDGE CB3 9ET

TITLE ELECTRON PLUS 1 PCB. CIRCUIT DIAGRAM.

PL 1 ELECTRON EXPANSION CONNECTOR



PLUS-3:
DISC-INTERFACE