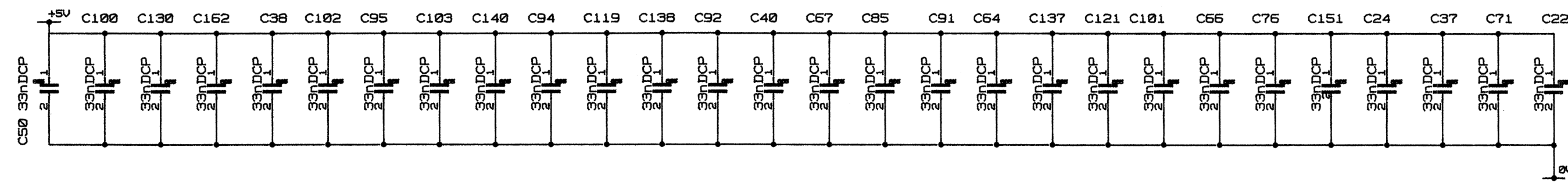
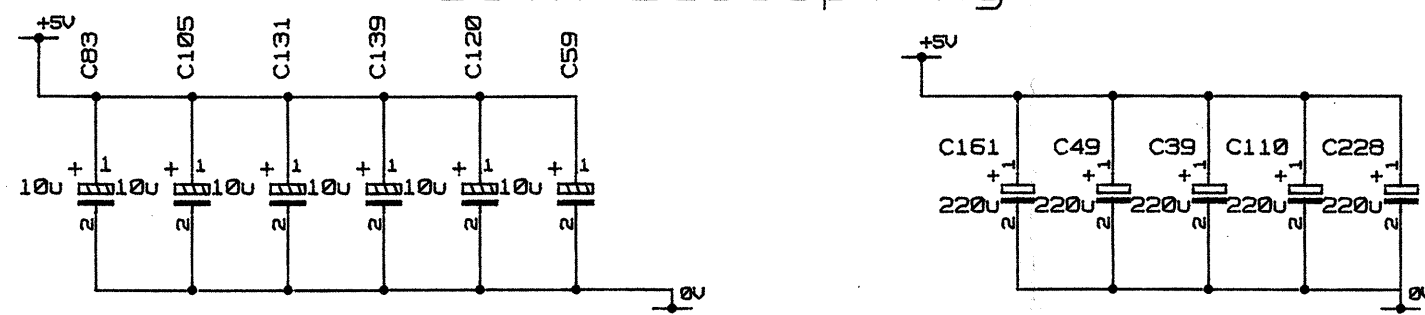


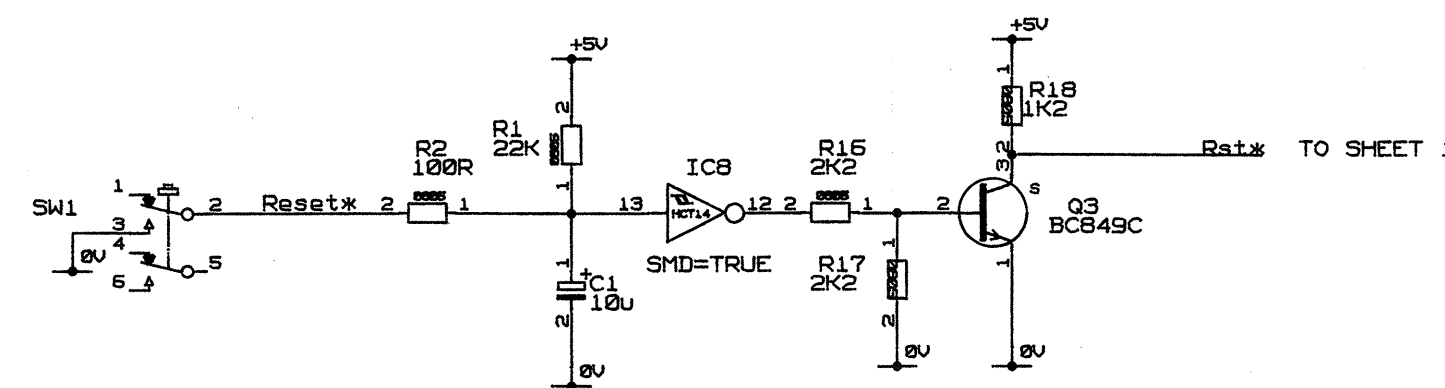
HF Decoupling



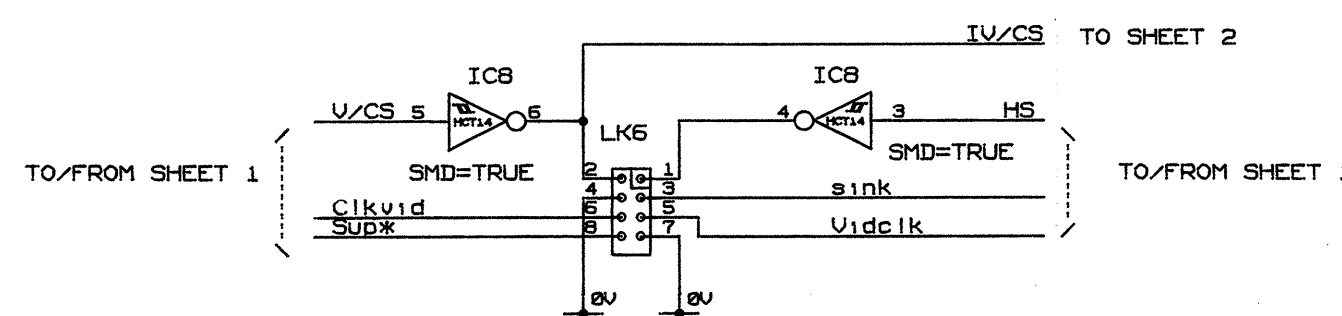
Bulk Decoupling



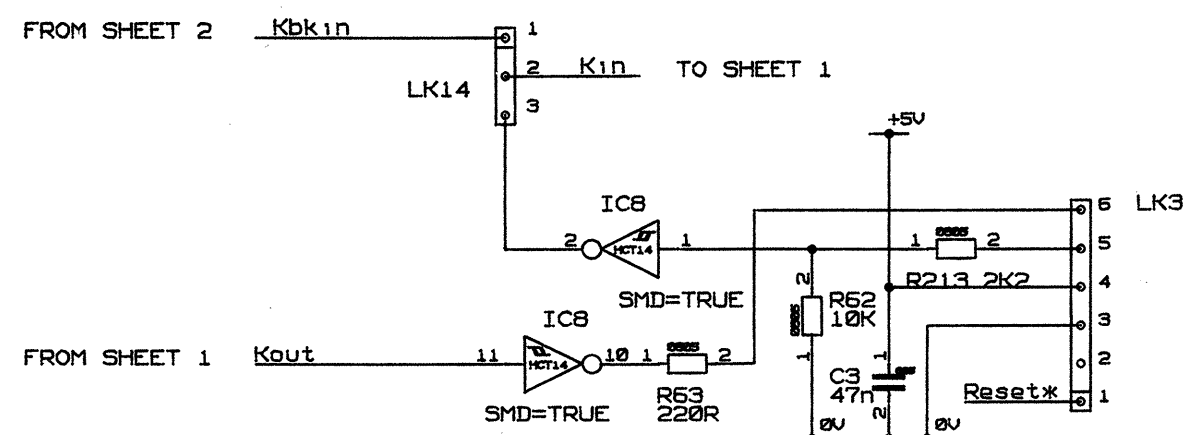
Reset circuitry



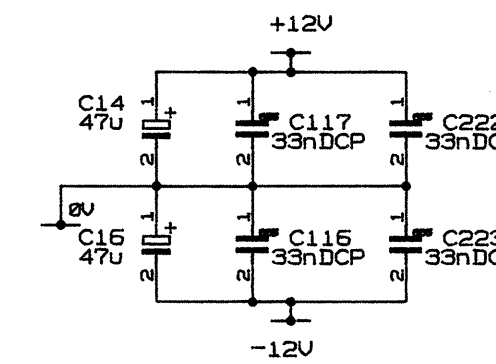
Genlock Expansion



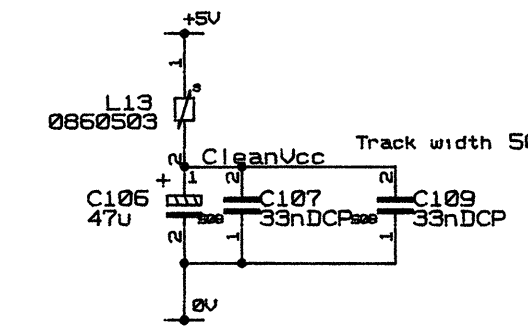
Alternative Keyboard Socket



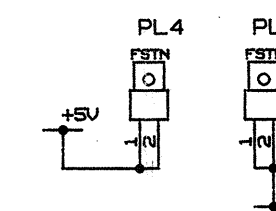
+/- 12V Decoupling



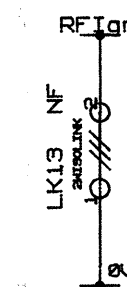
Filtered +5V Supply



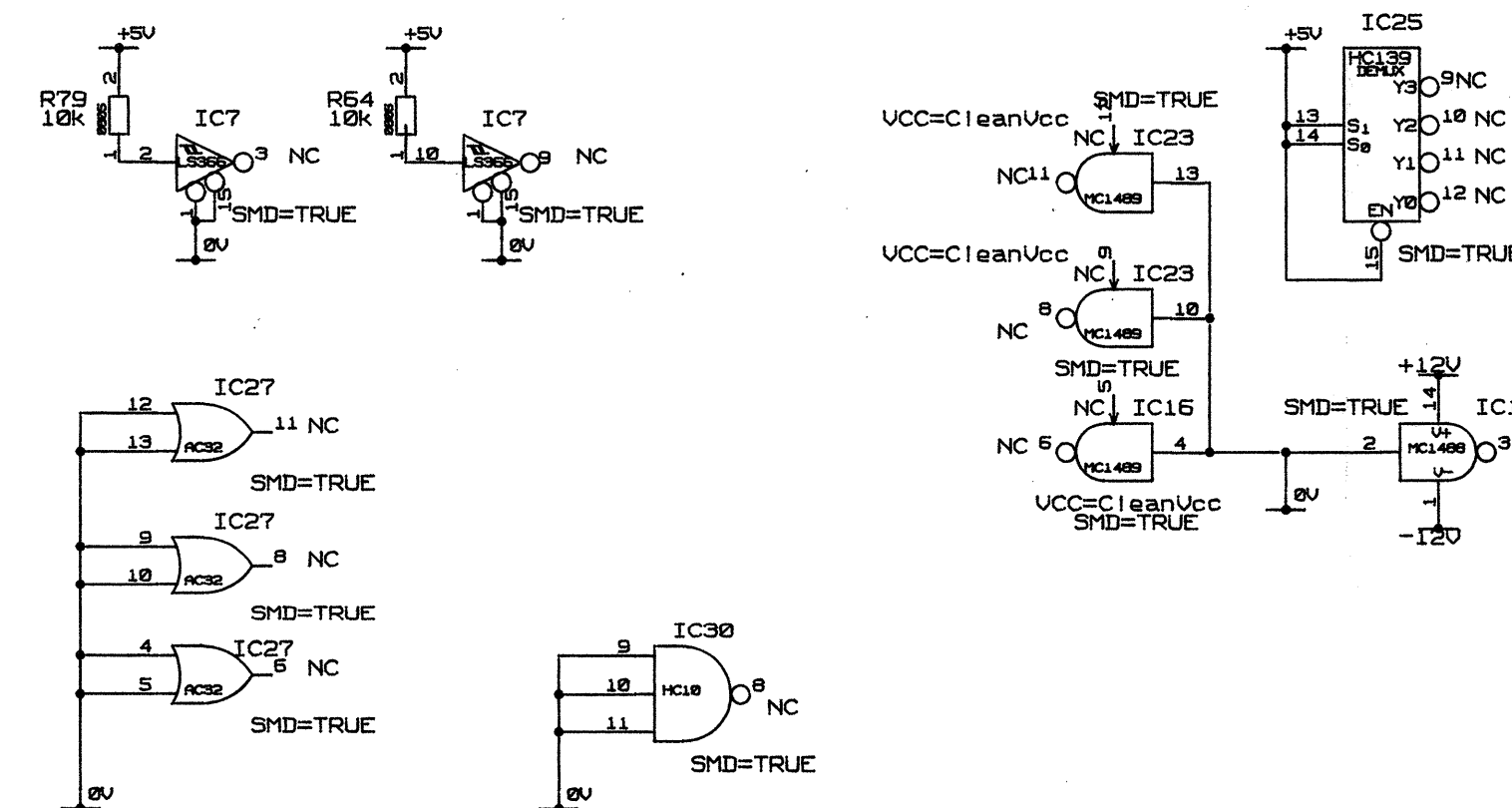
Test terminals



0V Connection to RFI Ground



Spare Gates

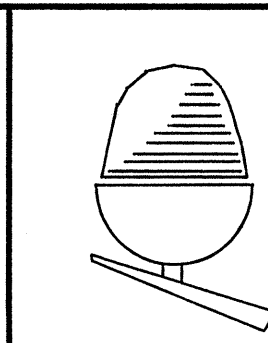


DRAWING TITLE=0194003 ABBREV=AC11156 LAST MODIFIED=NOT WRITTEN

1	11/6/92	AMR 3193	BS
ISS	DATE	DESC. OF CHANGE	ENG. CHKD.

SCALE	ALL DIMENSIONS IN mm UNLESS OTHERWISE STATED		
MATERIAL			
FINISH			
WHOLE NO. TOL.	DECIMAL No. TOL.	ANGLE TOL.	

Copyright of this drawing is reserved by ACORN COMPUTERS LTD. It is issued on condition that it is not copied, reproduced or disclosed to a third party, either wholly or in part, without the consent in writing of ACORN COMPUTERS LTD.



© COPYRIGHT 199 ACORN COMPUTERS Ltd FULBURN ROAD CHERRY HINTON CAMBRIDGE CB1 4JN

TITLE HERON 'C' (ARM250) MAIN PCB CIRCUIT DIAGRAM Sht 3/3
ACORN COMPUTERS Ltd A1 DRG. No 0194, 003 / C