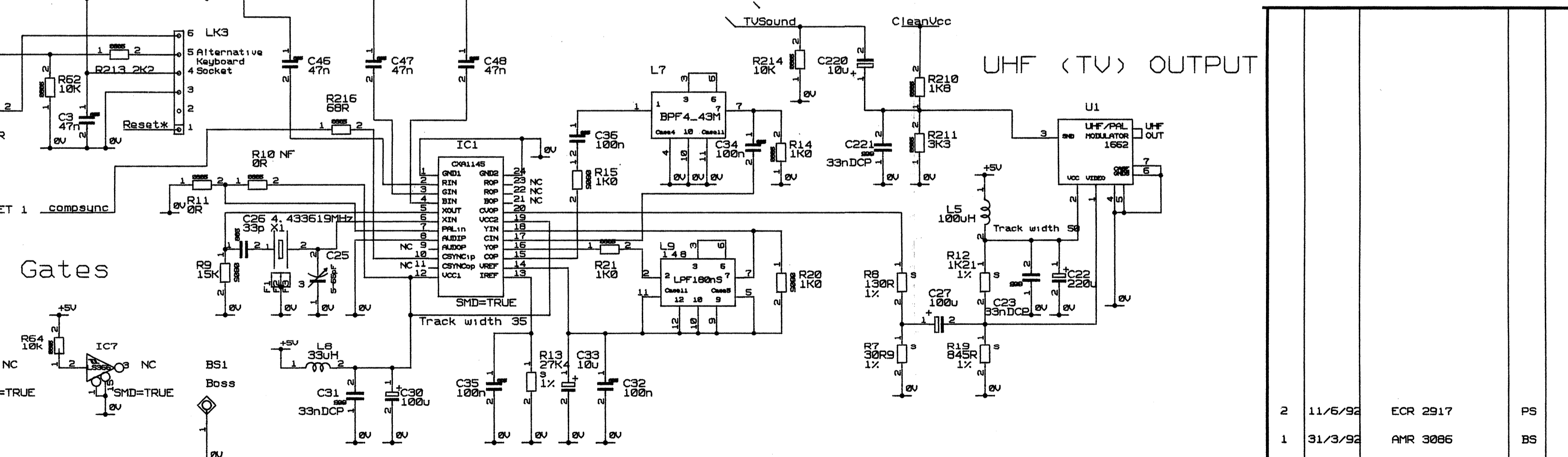
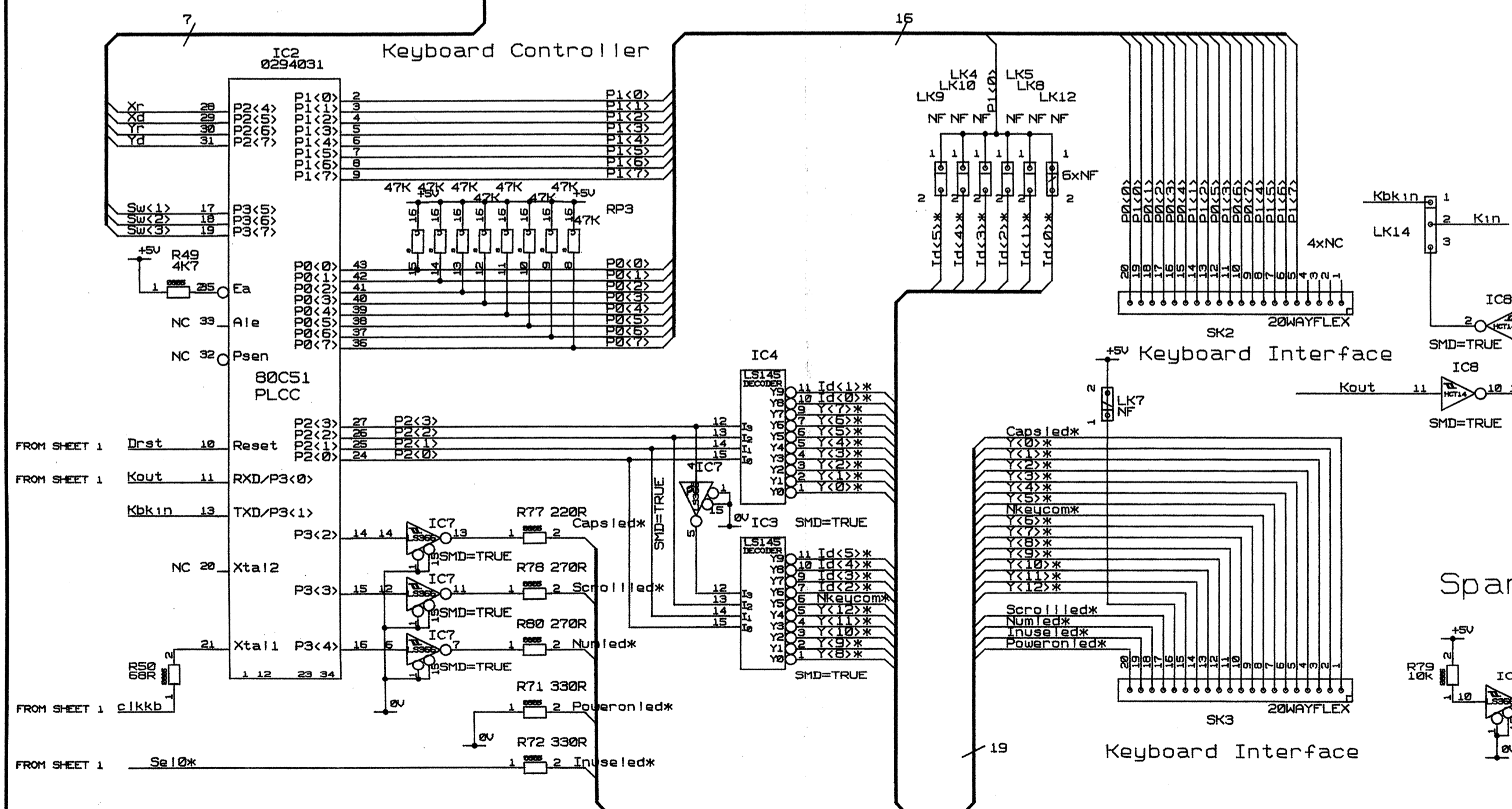
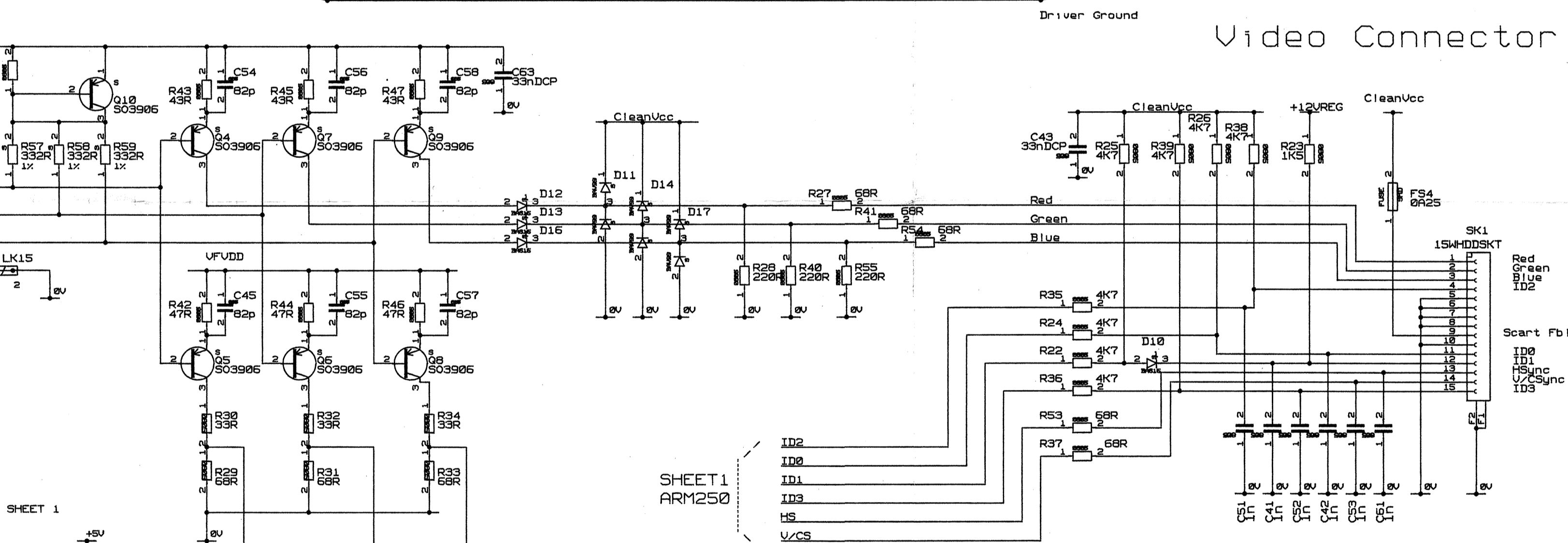
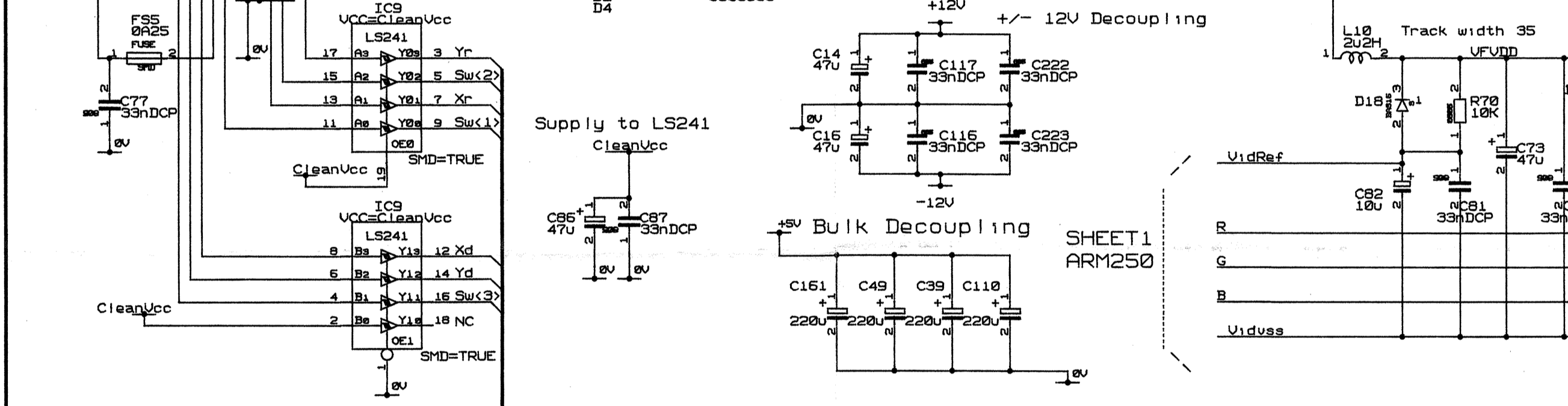
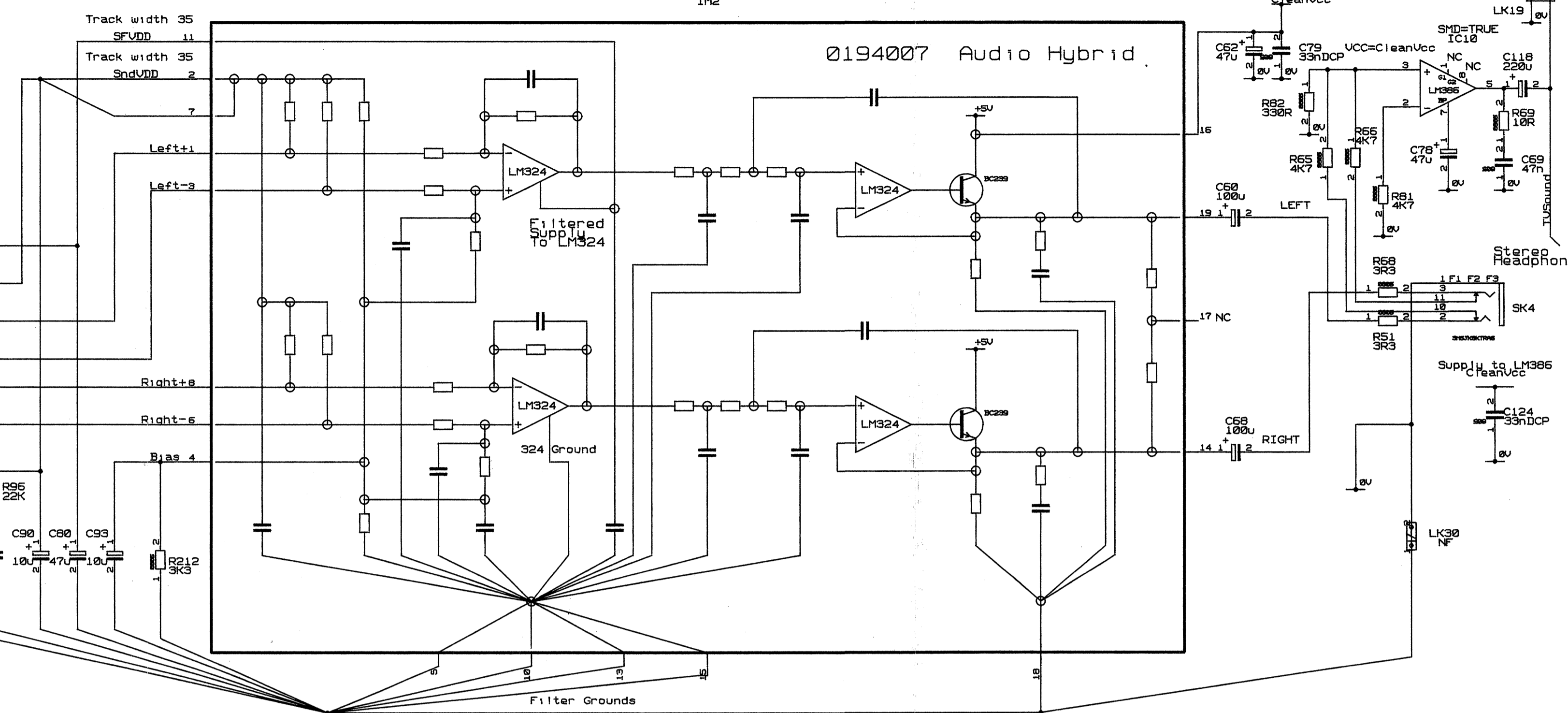
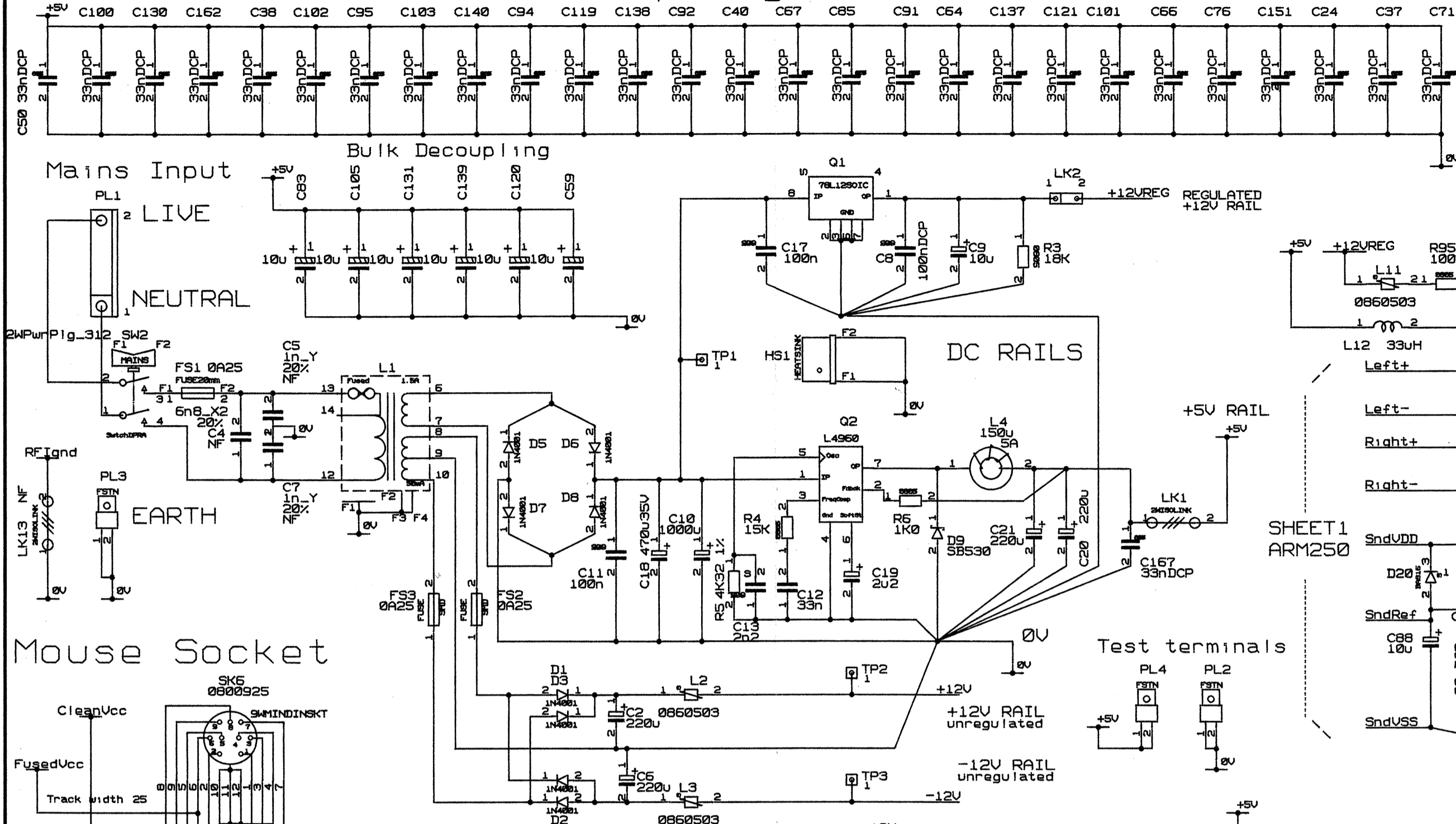
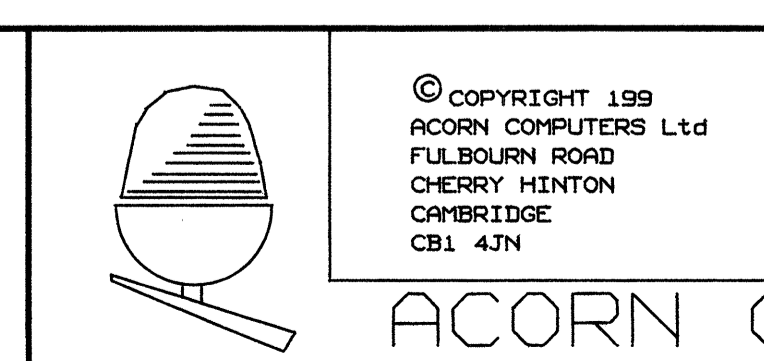


HF Decoupling



SCALE	ALL DIMENSIONS IN mm UNLESS OTHERWISE STATED		
MATERIAL			
FINISH			
WHOLE NO. TOL.	DECIMAL NO. TOL.	ANGLE TOL.	

Copyright of this drawing is reserved by ACORN COMPUTERS LTD. It is issued on condition that it is not copied, reproduced or disclosed to a third party, either wholly or in part, without the consent in writing of ACORN COMPUTERS LTD.



TITLE		ADELAIDE MAIN PCB	
		CIRCUIT DIAGRAM Sht 2/3	
ISS	DATE	DESC. OF CHANGE	ENG. CHKD.
2	11/6/92	ECR 2917	PS
1	31/3/92	AHR 3086	BS